

Heat Transfer Kit - Exterior

#HTK-EXT

For use with:

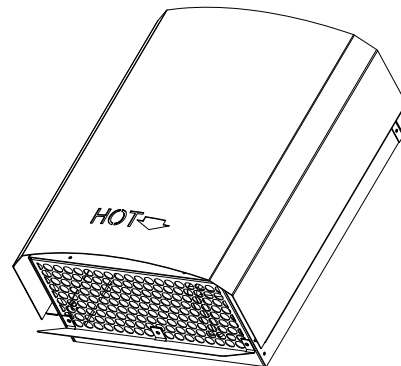
Alpha 36S (#ALP-36S), Bellingham 38 (#BHM-38 & BHM-38-BW), Bellingham 44 (#BHM-44 & BHM-44-BW), Bellingham 52 (#BHM-52 & BHM-52-BW), Carlton 39 (#CAR-39), Carlton 46 (#CAR-46), Callaway 40 (#CLW-40), Callaway 50 (#CLW-50 & CLW-50-MV), Callaway 72 (#CLW-72), Callaway See Thru (#CLW-ST), Nordik 48TL (#NDK-48TL), Nordik 60TL (#NDK-60TL), and Springfield 36 (#SFD-36)

READ ALL THESE STEPS BEFORE STARTING INSTALLATION. LEAVE THESE INSTRUCTIONS WITH THE APPLIANCE.

This kit must be installed by a qualified installer, service agency, or gas supplier at the time of the heater installation.

These instructions must be used in conjunction with the installation and operation manual provided with the appliance.

Please read all appliance owner’s manual completely before performing any procedures in these instructions.



- 1.0 Introduction..... 3**
- 1.1 Overview..... 3
- 1.2 Approvals..... 3
- 1.3 Installation..... 3
- 1.4 Replacement Parts 4
- 2.0 Installation..... 5**
- 2.1 Termination Cap Framing 5
- 2.2 Roof Termination Framing..... 5
- 2.3 Horizontal Termination Cap Clearances 6
- 2.4 Installation Instructions..... 7
- 3.0 Electrical Information..... 11**
- 3.1 Electrical Requirements..... 11
- 3.2 Electrical Installation 11
- 4.0 Accessibility 12**
- 4.1 Internal Component Access & Electrical Wiring 12
- 4.2 Capacitor Replacement 12
- 4.3 Fan Replacement..... 12

English and French installation manuals are available through your local dealer. Visit our website www.kozyheat.com.

Les manuels d'installation en français et en anglais sont disponibles chez votre détaillant local. Visitez www.kozyheat.com.

INSTALLER: Leave this manual with the appliance.
CONSUMER: Retain this manual for future reference.

IMPORTANT: Failure to read and follow these instructions may create a possible hazard and will void the fireplace warranty.

1.0 Introduction

1.1 Overview

The #HTK-EXT Exterior Heat Transfer Kit is designed to remove unwanted radiant fireplace heat from your home.

The following model(s) allow a maximum installation of two heat transfer kits: #ALP-36S, #BHM-38, #BHM-44, #BHM-52, #CAR-39, #CAR-46, #CLW-40, #CLW-50, #CLW-50-MV, #CLW-ST, #CLW-72, #NDK-48TL, #NDK-60TL, and #SFD-36.

1.2 Approvals

The flexible ducts used with the #HTK-EXT are manufactured and marked to the requirements of UL-181 Class 1 air duct.

1.3 Installation

Note: Model #SFD-36 corner installations have different minimum dimensions to allow space for the SFD-HTK air chute. See appliance installation manual for more information.

1.3.1 Installation Precautions

This device must be installed by a qualified installer in accordance with these instructions and in accordance with local codes, if any, and with National Electrical Code ANSI/NFPA 70, current edition.

The #HTK-EXT fan will generate sound during operation. The effects of the increased sound level can be minimized with careful planning during installation of the system.

Disconnect electrical power supply before performing any maintenance, repair, or electrical wiring.

WARNING: Failure to install, operate, and maintain the heat transfer system - exterior in accordance with manufacturer's instructions will result in conditions which may produce bodily injury and/or property damage.

1.3.2 Installation Guidelines

The discharge outlet of the #HTK-EXT must be directed down to prevent water infiltration.

IMPORTANT: The insulated flexible pipe is zero clearance to combustibles but **CANNOT** be compressed into a smaller diameter.

NOTE: Support duct at intervals of no greater than 4' (1219mm), with no more than 1/2" (13mm) sag between supports as required by local code. Do not substitute any other duct work as a replacement for the provided insulated flexible duct.

Minimum Duct Run Length: 3' (914mm)

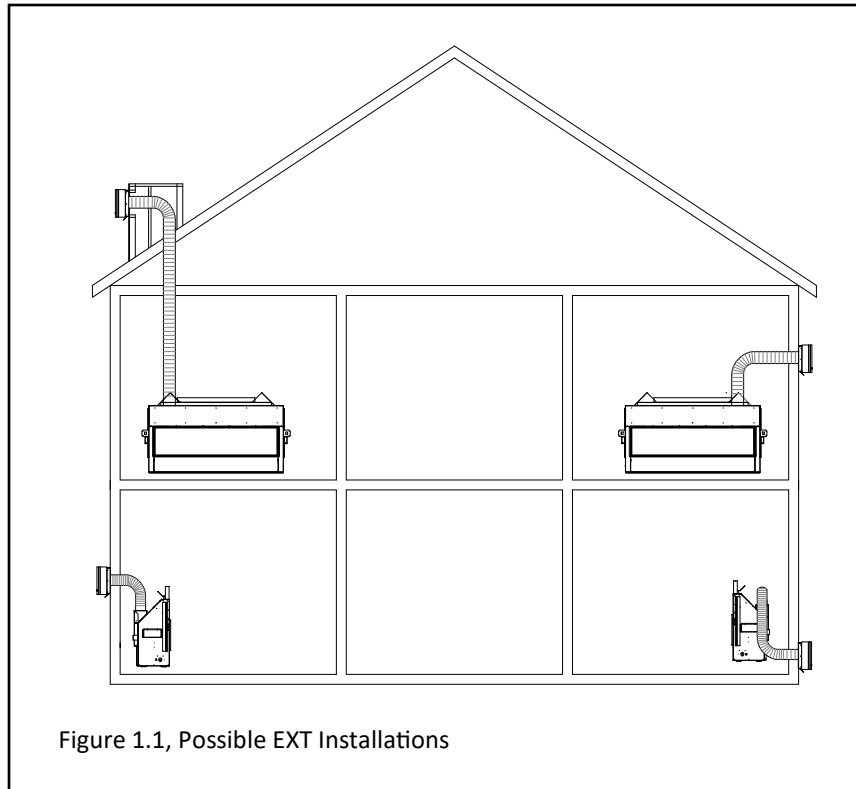
Maximum Duct Run Length: 25' (7.8m)

Clearance to flexible duct: 0" (0mm)

1.3.3 Painting Requirements

The #HTK-EXT may be painted to a desired color. The paint selected must have sufficient temperature and environmental ratings as described below.

- Prior to painting the #HTK-EXT cover assembly, sand the existing coating with sandpaper or steel wool.
- The front of the cap cover assembly may be field-painted and cured up to 400 degrees Fahrenheit (204° C). All remaining parts of the cap may be painted, but they may not be cured beyond 190°F (88°C) due to gaskets and components overheating.
- Silicone sealant will be used during installation, which could affect adherence of paint. Please advise local painter of silicone content.

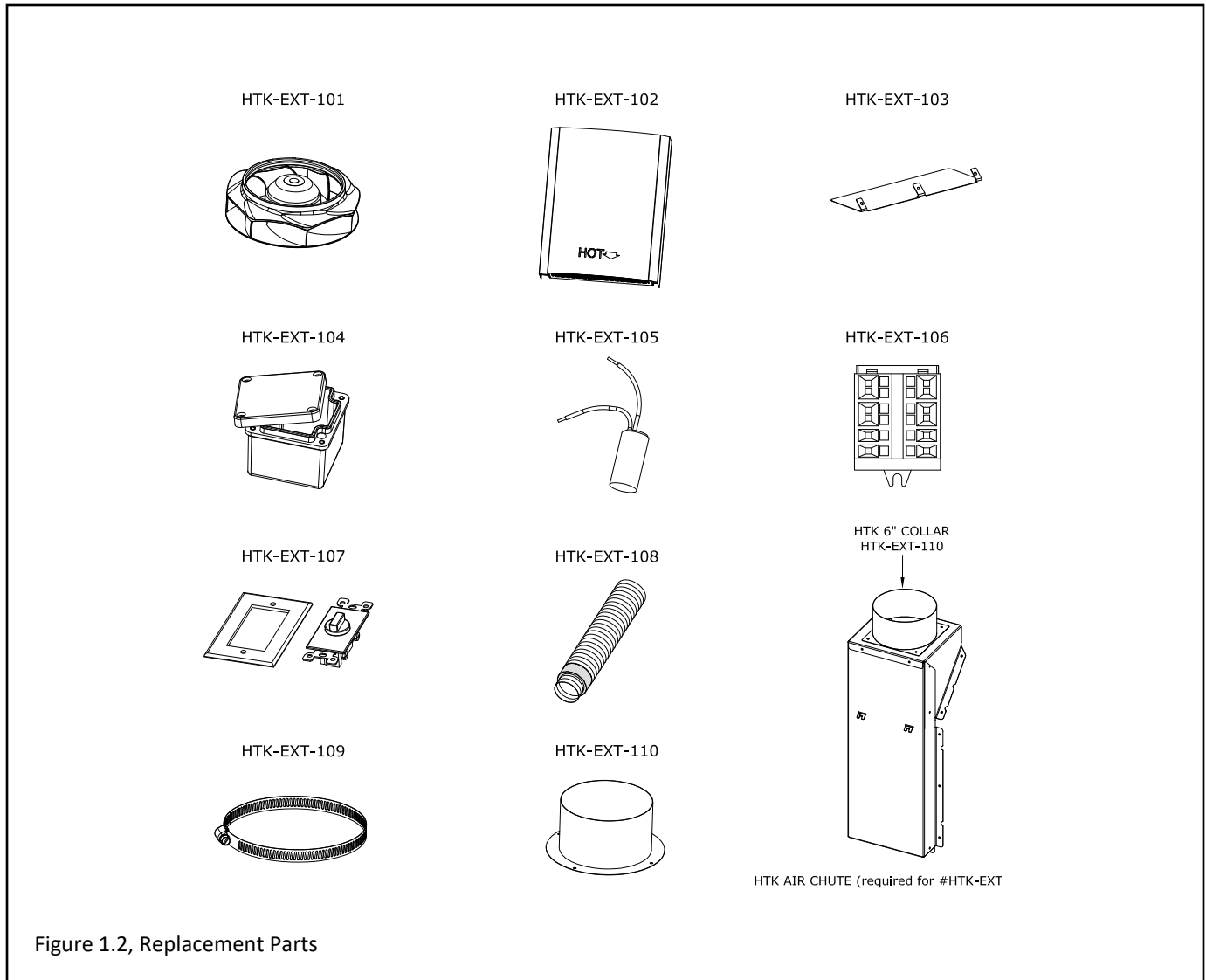


1.4 Replacement Parts

Fan Assembly	HTK-EXT-101
Cover Assembly	HTK-EXT-102
Vinyl Siding Shield	HTK-EXT-103
Electrical Box	HTK-EXT-104
Capacitor	HTK-EXT-105
Terminal Block	HTK-EXT-106
Speed Control Assembly	HTK-EXT-107
6" Insulated Flex Pipe	HTK-EXT-108
Band Clamp	HTK-EXT-109
HTK 6" Collar	HTK-EXT-110

1.4.1 Heat Transfer Kit Air Chute

- The HTK air chute is required when installing a #HTK-EXT.
- (1) air chute is needed per heat transfer kit.
- Order model specific air chute. Yours may look different than what is shown.

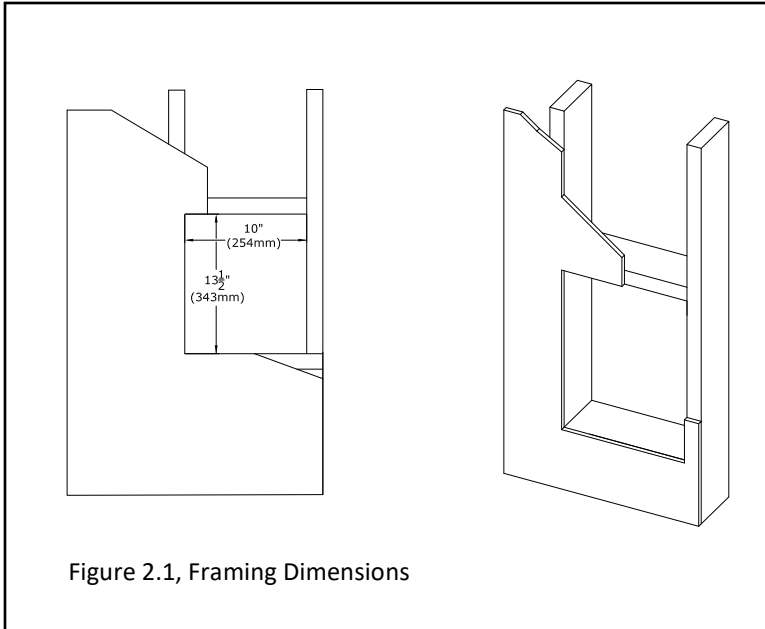


2.0 Installation

2.1 Termination Cap Framing

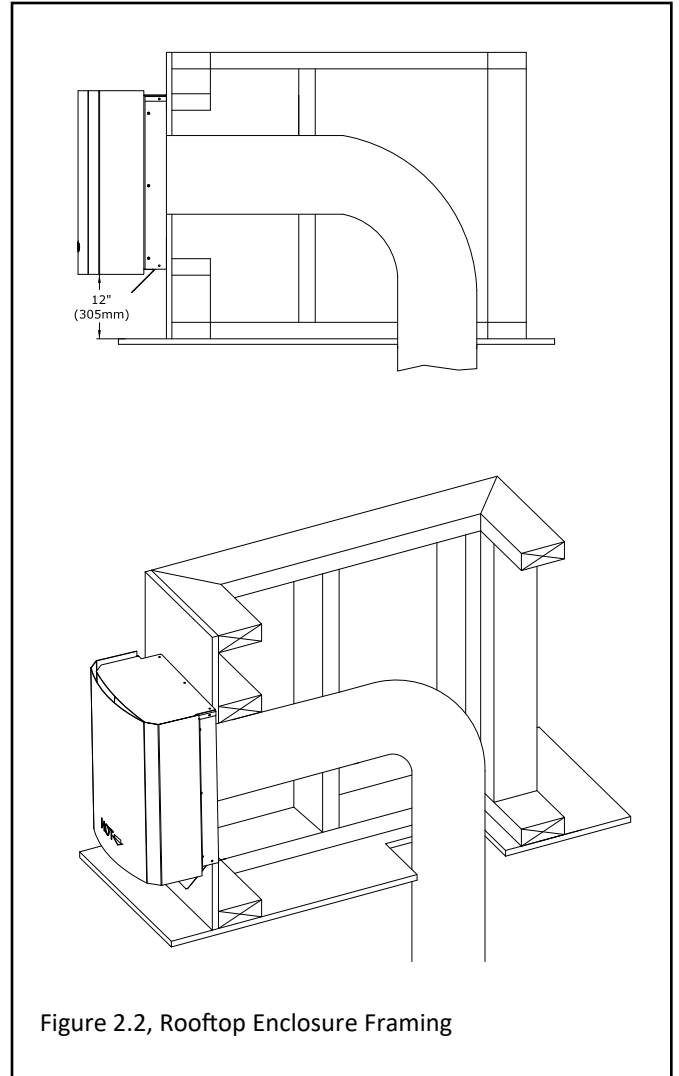
IMPORTANT: Termination framing **MUST** be level so the termination cap is level upon installation. This is required so precipitation does not build up inside the termination cap.

Find the desired location of exterior heat transfer kit termination. Refer to FIGURE 2.1 for dimensions. For horizontal termination cap clearances, see FIGURE 2.3.



2.2 Roof Termination Framing

If the #HTK-EXT will terminate on a flat roof, construct an enclosure similar to the one shown in FIGURE 2.2.



2.3 Horizontal Termination Cap Clearances

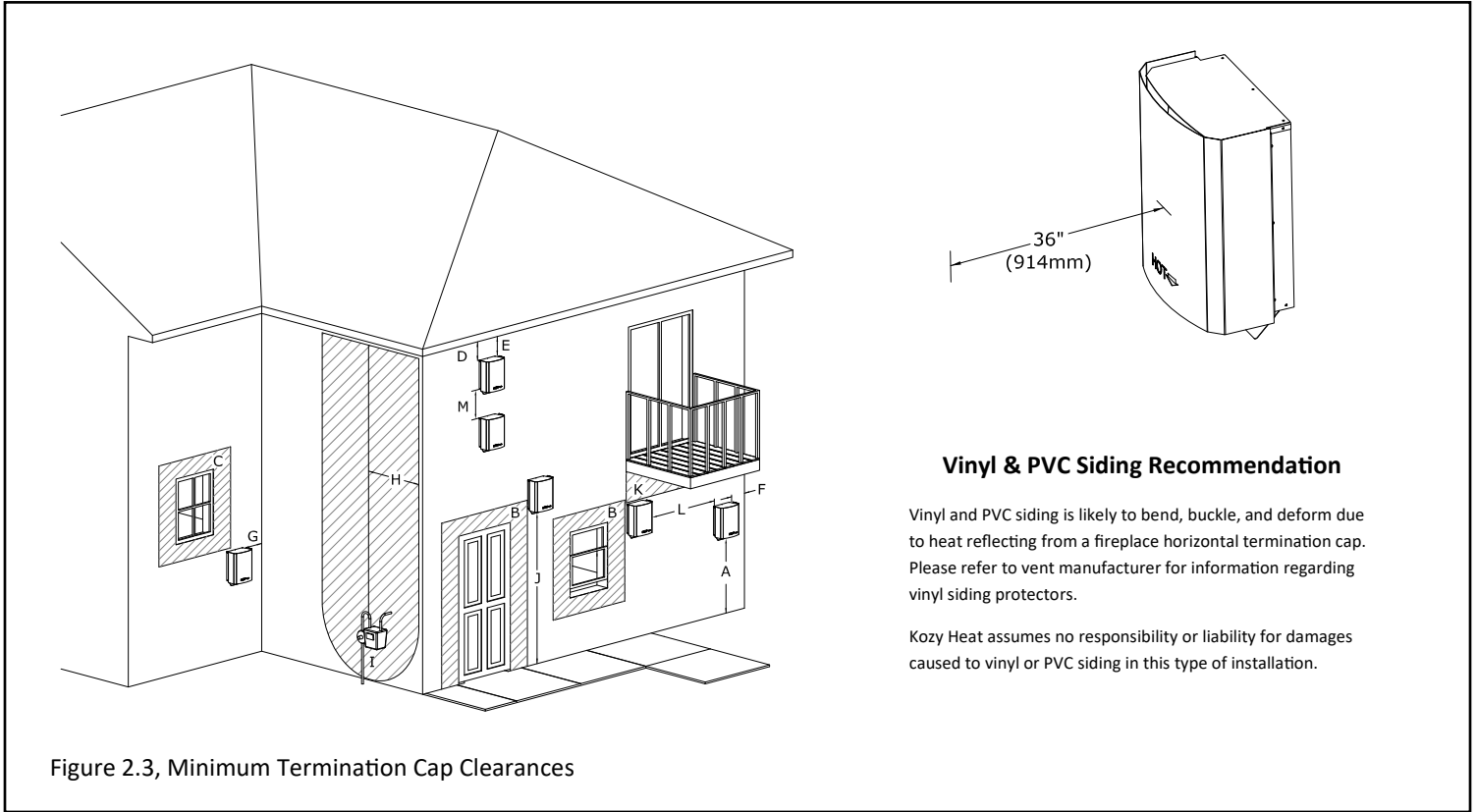


Figure 2.3, Minimum Termination Cap Clearances

	Canadian Installations	US Installations	
A	Clearance above grade, veranda, porch, desk, or balcony.	12" (30cm)	12" (30cm)
B	Clearance to window or door that may be opened	12" (30cm)	9" (23cm)
C	Clearance to permanently closed window (recommended to prevent condensation on window)	12" (30cm)*	12" (30cm)*
D	Vertical clearance to ventilated soffit located above the terminal within a horizontal distance of 2 feet (61cm) from the edge of the terminal	0" (0cm)*	0" (0cm)*
E	Clearance to unventilated soffit	0" (0cm)*	0" (0cm)*
F	Clearance to outside corner	0" (0cm)*	0" (0cm)*
G	Clearance to inside corner	12" (30cm)*	12" (30cm)
H	Clearance to each side of center line extended above meter/regulator assembly	3' (91cm) within a height 15' (4.5m) above the meter/regulator assembly	*
I	Clearance to service regulator vent outlet	3' (91cm)	*
J	Clearance above paved sidewalk or paved driveway located on public property	7' (2.13m)†	*
K	Clearance under veranda, porch deck, or balcony	0' (0cm)‡	0' (0cm)
L	Clearance between two horizontal terminations	12" (30cm)	12" (30cm)
* Clearance in accordance with local installation codes and the requirements of the gas supplier			
†A vent shall not terminate directly above a sidewalk or paved driveway that is located between two single family dwellings and serves both dwellings.			
‡ Permitted only if veranda, porch, desk, or balcony is fully open on a minimum of two sides beneath the floor			
VINYL SOFFIT, VINYL CEILING, AND VINYL OVERHANG DISCLAIMER: Clearances to heat resistant material (i.e. wood, metal). This does not include vinyl. Hussong Manufacturing Co., Inc. will not be held responsible for heat damage caused from terminating under vinyl overhangs, vinyl ceilings, or vinyl ventilated/unventilated soffits.			
Vinyl & PVC Siding Recommendation: Vinyl and PVC siding is likely to bend, buckle, and deform due to heat reflecting from a fireplace horizontal termination cap. Please refer to vent manufacturer for information regarding vinyl siding protectors. Kozy Heat assumes no responsibility or liability for damages caused to vinyl or PVC siding in this type of installation.			

2.4 Installation Instructions

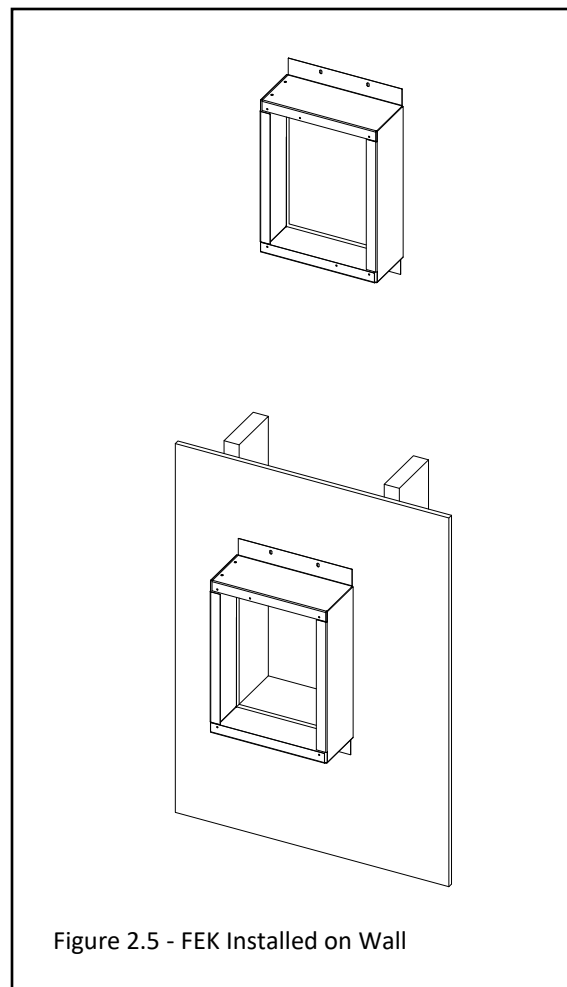
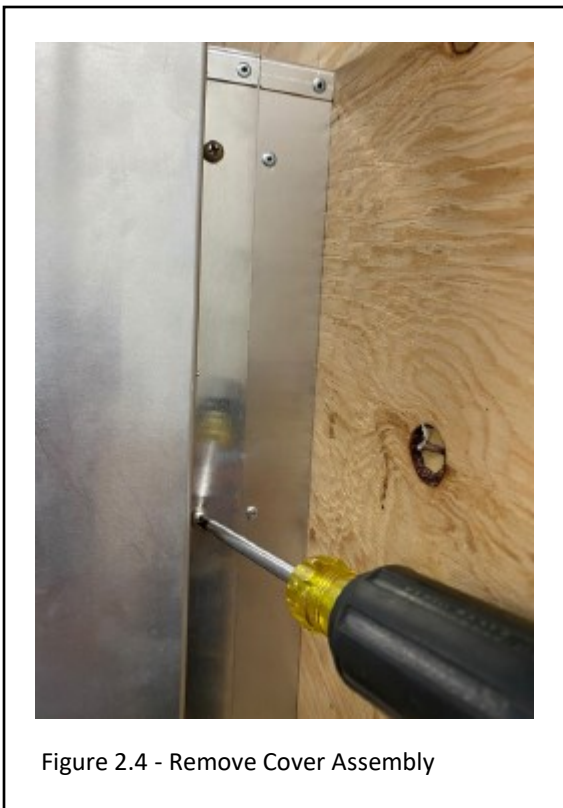
NOTE: If your installation has exterior finishing materials greater than 1" (25mm) thick, a #HTK-EXT-FEK Finishing Extension Kit will be needed. The extension kit must be installed to allow for thicker exterior finishing materials for proper installation and fitting of the #HTK-EXT. Order with the appliance and venting system.

NOTE: It may be easier in certain installations to attach the insulated flexible pipe to the HTK-EXT before securing the HTK-EXT to the exterior of the building. If attaching the insulated flexible pipe to the HTK-EXT first, the pipe would be inserted through the framed opening during installation of the HTK-EXT. See Step 11 on page 10 for more information.

1. Remove the cover assembly (6) screws for installation of the #HTK-EXT base. See FIGURE 2.4.

NOTE: If you are using exterior finishing material thicker than 1" (such as stone) then you will need to use #HTK-EXT-FEK Heat Transfer Finishing Extension Kit. Start with Step 2. If installing the #HTK-EXT with 1" or less finishing material, proceed to Step 6 on the next page.

2. Place FEK box over the framed opening in the wall. Ensure the FEK is level to ensure precipitation does not build up in the HTK-EXT termination cap when it is installed. Attach it to the building. Verify the box remains square so the HTK-EXT can be installed correctly. See FIGURE 2.5.
3. Seal all corners, joints, and bend lines with silicone caulk. Ensure all gaps and holes are filled so a sealed envelope is formed. See FIGURE 2.6 and FIGURE 2.7 on the following page.
4. The wall is now ready to be finished. Finishing materials such as stone, marble, or brick can then be applied up to the flanges of the #HTK-FEK that protrude perpendicular to the wall. This will ensure that the cap will fit into the opening after finishing has been completed. NOTE: Outside flanges of the #HTK-FEK must not have any pressure on them from the finishing materials. This could cause the opening left after finishing to be too small.
5. After the #HTK-EXT-FEK has been installed and the finishing of the wall is completed, apply a bead of silicone to the #HTK-FEK around the entire metal flange where it would make contact with the #HTK-EXT.



6. — If you are using #HTK-EXT-FEK, align the #HTK-EXT base with FEK ensuring the cap is level. Apply a bead of silicone around the entire metal flange of the #HTK-EXT-FEK and along the rear edge of the #HTK-EXT. See FIGURE 2.8 and FIGURE 2.10.
 - If you are securing the HTK-EXT base directly to the wall, place a bead of silicone on the rear edge of HTK-EXT base. See FIGURE 2.8. Then place a bead of silicone where the finishing material makes contact with the #HTK-EXT. See FIGURE 2.9.

The next steps involve procedures for your fireplace.

7. Remove sheet metal screws securing the HTK cover plate on your fireplace. FIGURE 2.11 is an example of a HTK cover plate on the CLW-72. The location of the HTK cover plate might vary depending on the model. Refer to your fireplace manual for this information. CLW-ST: Both rectangular cover plates on the outer shell of the appliance must be removed.
8. CLW-ST: There are (2) openings on the HTK-CWST air chute that allow for installing one or two of the same heat transfer kit. If installing (1) kit, remove (1) cover plate to install (1) collar. If installing (2) kits, remove (2) cover plates to install (2) collars.
9. Install the unit specific heat transfer kit air chute. Use the metal screws provided in the kit to install the air chute to the fireplace. Reference the included instructions in the unit specific HTK air chute for your model. When the air chute is installed, make sure the damper lays against the outer shell of the fireplace when in resting position. Ensure the damper will move freely when the fan is engaged. See FIGURE 2.12.
10. Install the collar provided with the air chute using (4) sheet metal screws.

Instructions continue on page 10.



Figure 2.6 - Silicone Corners



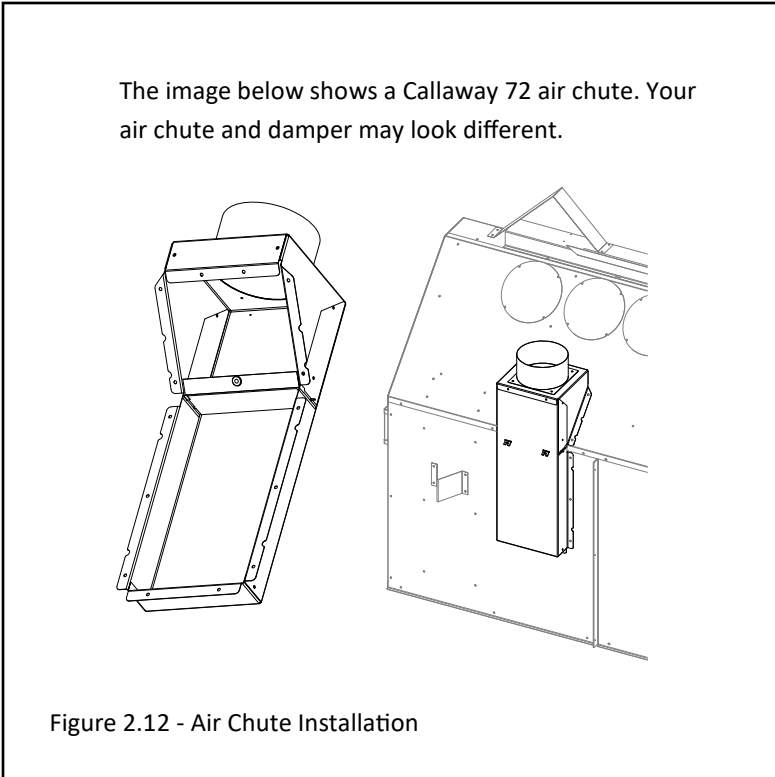
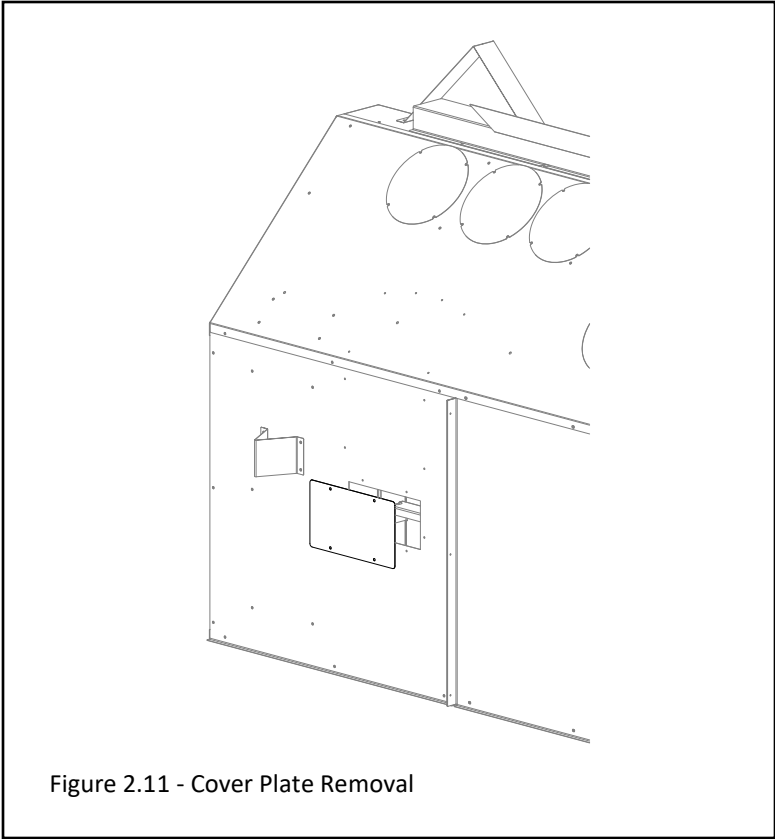
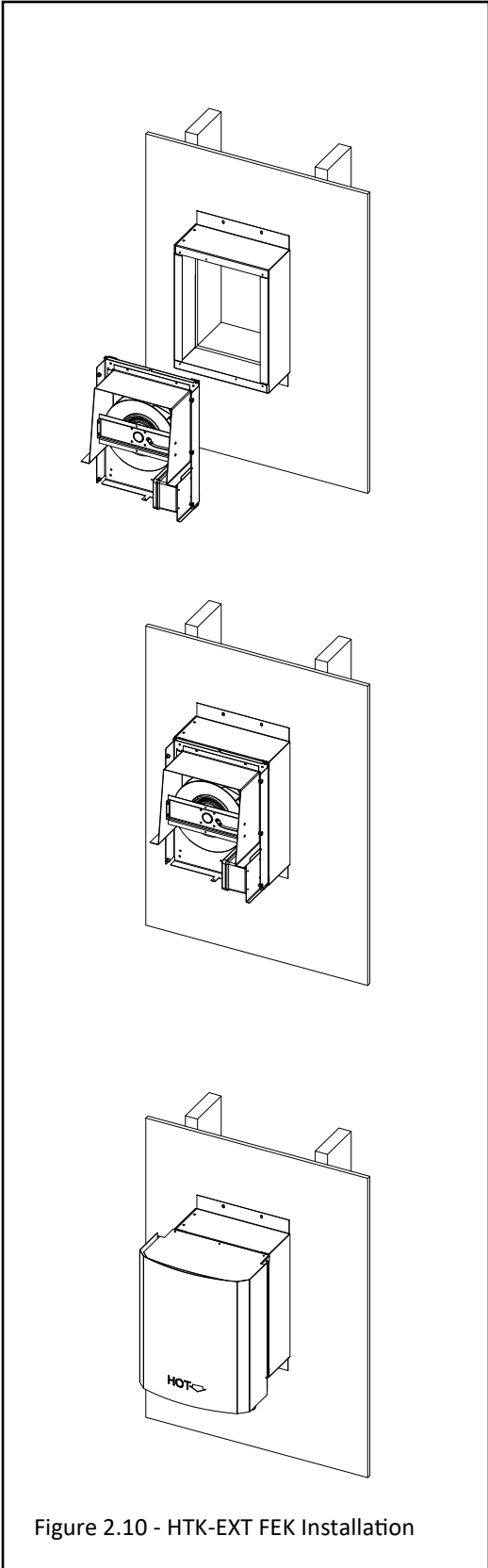
Figure 2.7 - Silicone Perimeter



Figure 2.8 - Silicone Rear of HTK-EXT



Figure 2.9 - Silicone Finishing Materials



The next steps involve procedures for the HTK-EXT.

11. Lay the band clamp over the 6" collar of the HTK-EXT as shown in FIGURE 2.13. Attach the inside 6" liner to the collar with (3) sheet metal screws. Use the band clamp to attach the outer insulated liner over the top of the inner liner to the collar of the HTK-EXT. See FIGURE 2.14 and FIGURE 2.15.
12. Cut insulated flex pipe to desired length to reach from the collar on the air chute to the collar on the exterior heat transfer kit.
13. Slide the band clamp over the collar on the HTK air chute that is attached to the fireplace. Attach the inside 6" liner to the collar with (3) sheet metal screws. Use the band clamp to attach the insulated outer liner over the top of the inner liner and the air chute collar.
14. Secure flexible pipe. Support the duct at intervals of no greater than 4 feet.
15. Run the wiring into the #HTK-EXT. See section 3.0 (page 11).
16. After you complete the necessary wiring, reinstall the cover assembly using (6) screws previously removed.
17. Use (3) provided screws to attach the vinyl siding shield. See FIGURE 2.16.

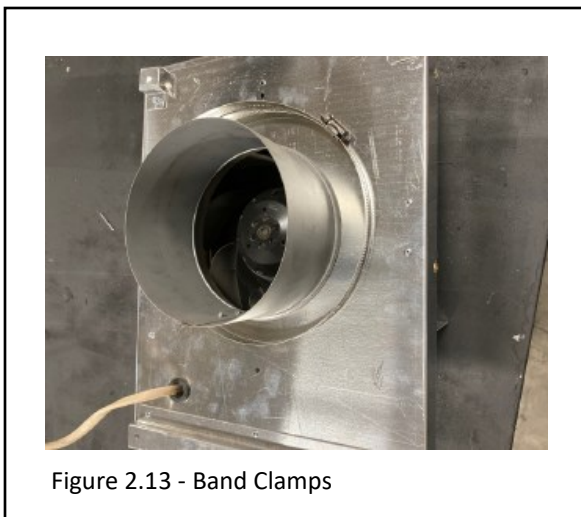


Figure 2.13 - Band Clamps

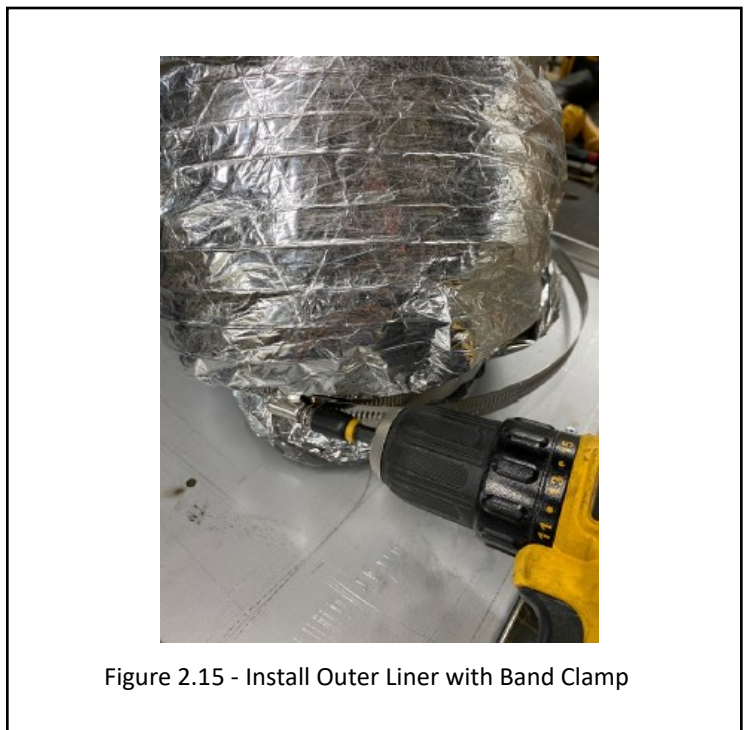


Figure 2.15 - Install Outer Liner with Band Clamp



Figure 2.14 - Screw Inner Liner



Figure 2.16 - Vinyl Siding Shield Installed

3.0 Electrical Information

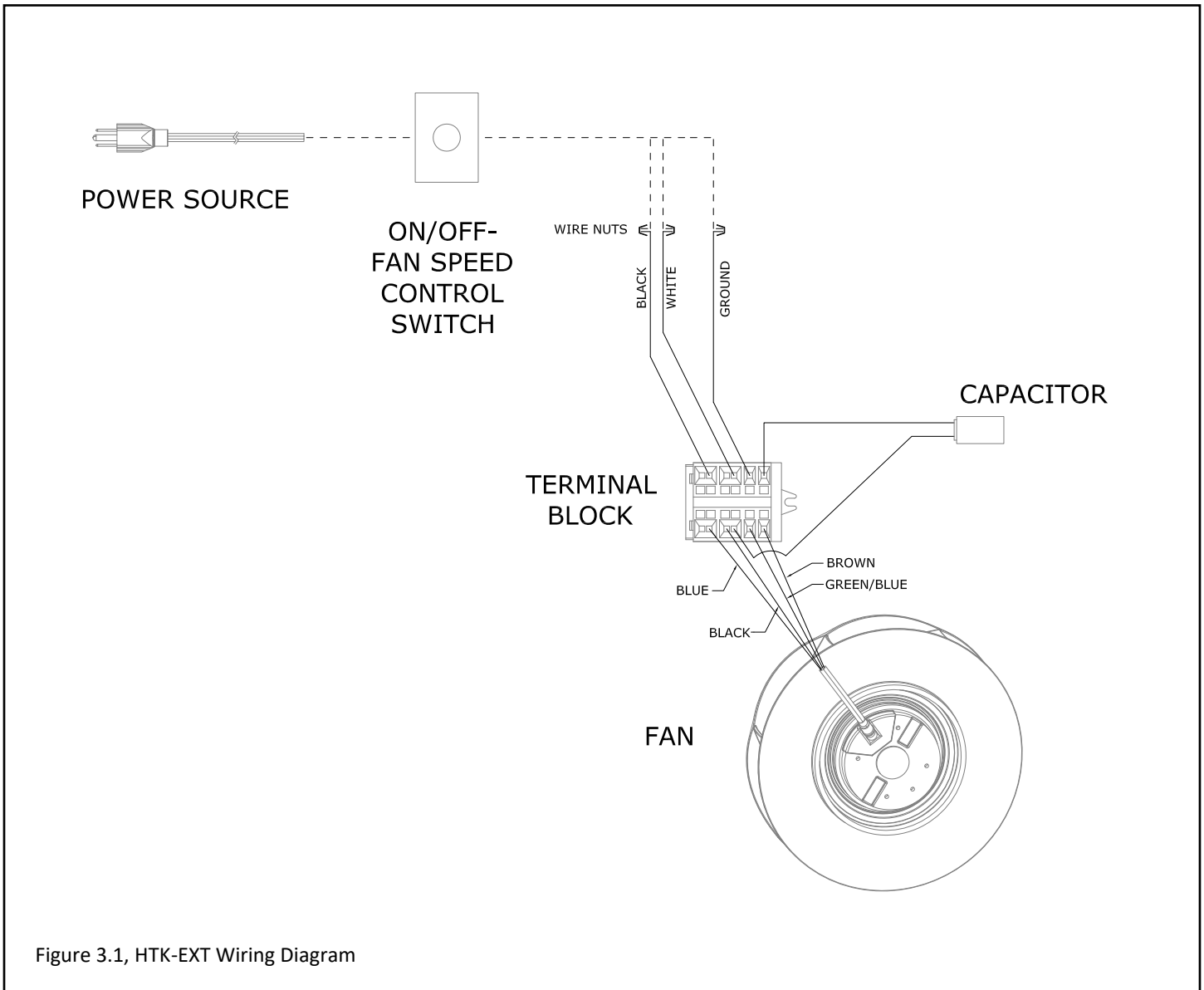
3.1 Electrical Requirements

- #HTK-EXT operates on 120 VAC, 60 Hz electrical service. The current draw of this device is 1.72A.
- Disconnect electrical service before servicing

3.2 Electrical Installation

- The point of entry for electrical wiring into the #HTK-EXT is on the rear of the termination cap assembly. If you are mounting the termination cap before electrical work can be completed, verify there is enough space for access to the back side of the termination cap to run the wiring through the grommet and into the electrical box.

- The provided on/off fan speed control switch is the only approved speed control switch for this device. If you choose to not use the provided fan speed control switch, you may wire in an on/off switch of your choice, but you cannot wire in any other fan speed control. Ensure any other chosen switch meets the electrical requirements of the system listed in section 3.1.
- #HTK-EXT fan will generate sound during operation. The effects of the increased sound level can be minimized with careful planning during installation of the system.
- When wiring the provided on/off fan speed control, the leads coming out of the switch will intercept with the hot wire leading from the power source to the #HTK-EXT. Inside the #HTK-EXT electrical box there will be (1) black, (1) white, and (1) green wire leads to attach to the wiring ran from the power source.



4.0 Accessibility

4.1 Internal Component and Electrical Wiring

For access to the internal components of the HTK-EXT,

1. Remove (3) screws securing the vinyl siding heat deflector to the HTK-EXT base.
2. Remove (3) screws along each side of the cover assembly. Remove cover assembly from the base of the HTK-EXT. See FIGURE 4.1.



Figure 4.1 - Remove Cover Assembly

3. Remove (4) screws securing the lid to the waterproof electrical box. See FIGURE 4.2.



Figure 4.2 - Remove Electrical Box Lid

4.2 Capacitor Replacement

1. Remove (4) screws securing the lid to the waterproof electrical box. See FIGURE 4.2.
2. Using a small, flat blade screwdriver (or a pick), push the tabs in on the terminal box to release the wiring of the capacitor.
3. Install the new capacitor by using the same tool you used to open the terminal box wiring tabs.

4.3 Fan Replacement

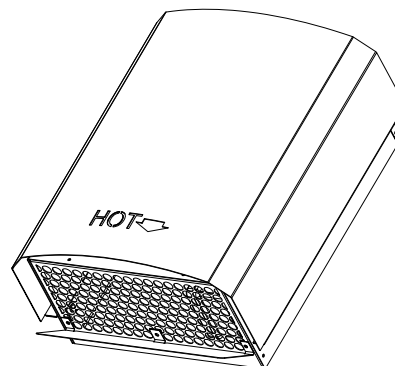
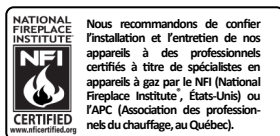
1. Remove (4) screws securing the lid to the waterproof electrical box. See FIGURE 4.2.
2. Using a small, flat blade screwdriver (or a pick), push the tabs in on the terminal box to release the wiring of the fan impeller.
3. Push the wiring out of the grommet in the electrical box.
4. Remove the (4) Phillips screws securing the fan to the fan bracket.
5. Remove the fan.
6. Install the replacement fan.
7. Secure the fan to the fan bracket (4) screws.
8. Push the wiring through the grommet in the electrical box.
9. Secure wiring into the terminal block.
10. Secure the lid to the waterproof electrical box (4) screws.

À utiliser avec les modèles suivants :

Alpha 36S (ALP-36S), Bellingham 38 (BHM-38 et BHM-38-BW), Bellingham 44 (BHM-44 et BHM-44-BW), Bellingham 52 (BHM-52 et BHM-52-BW), Carlton 39 (CAR-39), Carlton 46 (CAR-46), Callaway 40 (CLW-40), Callaway 50 (CLW-50 et CLW-50-MV), Callaway 72 (CLW-72), Callaway à double face (CLW-ST), Nordik 48TL (NDK-48TL), Nordik 60TL (NDK-60TL), et Springfield 36 (SFD-36)

LISEZ TOUTES CES ÉTAPES AVANT DE COMMENCER L'INSTALLATION. LAISSEZ CE MANUEL AVEC L'APPAREIL.

Ce kit doit être installé par un installateur qualifié, une agence d'entretien ou le fournisseur de gaz, au moment d'installer l'appareil de chauffage. Ces instructions doivent être utilisées conjointement avec le manuel d'installation et d'utilisation fourni avec l'appareil. Veuillez lire complètement le manuel d'installation de l'appareil avant de commencer les procédures de ce manuel d'instructions.



English and French installation manuals are available through your local dealer. Visit our website www.kozyheat.com.

Les manuels d'installation en français et en anglais sont disponibles chez votre détaillant local. Visitez www.kozyheat.com.

1.0 Introduction	15
1.1 Vue d'ensemble.....	15
1.2 Produit approuvé.....	15
1.3 Installation.....	15
1.4 Pièces de rechange.....	16
2.0 Installation	17
2.1 Encadrement de la terminaison d'évacuation	17
2.2 Encadrement d'une terminaison au toit	17
2.3 Dégagements du chapeau d'évacuation horizontal ...	18
2.4 Instructions d'installation.....	19
3.0 Système électrique	23
3.1 Alimentation électrique.....	23
3.2 Installation électrique.....	23
4.0 Accessibilité	24
4.1 Accès aux composants internes et au câble électrique...24	
4.2 Remplacement du condensateur	24
4.3 Remplacement du ventilateur.....	24

INSTALLATEUR : Laissez ce manuel avec l'appareil.
PROPRIÉTAIRE : Conservez ce manuel comme référence.

IMPORTANT : Le non-respect de ces instructions peut créer un danger et annulera la garantie du foyer.

1.0 Introduction

1.1 Vue d'ensemble

Le Kit de transfert de chaleur extérieur HTK-EXT est conçu pour évacuer la chaleur indésirable de votre maison.

Les modèles de foyer suivants permettent une installation maximum de deux kits de transfert de chaleur: ALP-36S, BHM-38, BHM-44, BHM-52, CAR-39, CAR-46, CLW-40, CLW-50, CLW-50-MV, CLW-ST, CLW-72, NDK-48TL, NDK-60TL et SFD-36.

1.2 Produit approuvé

Les conduits flexibles utilisés avec le kit HTK-EXT sont fabriqués et marqués aux exigences de la norme UL-181, Conduits d'air de Classe 1.

1.3 Installation

Note: Les installations en coin du modèle de foyer SFD-36 ont différentes exigences de dégagement minimum pour l'espace requis par la chute d'air SFD-HTK. Voir le manuel d'installation de ce modèle de foyer pour plus d'information.

1.3.1 Précautions d'installation

Ce système doit être installé par un installateur qualifié selon ces instructions et les codes locaux applicables, dont le code de l'électricité en vigueur (Code canadien de l'électricité CSA C22.1 ou National Electrical Code ANSI/NFPA 70, aux É.-U.).

Le ventilateur du HTK-EXT fera du bruit, une fois en marche. L'effet du niveau sonore accru peut être minimisé en planifiant avec soin l'installation du système.

Débranchez l'alimentation électrique avant d'effectuer tout entretien, réparation ou câblage électrique.

AVERTISSEMENT: Le non-respect des instructions d'installation, d'utilisation et d'entretien de ce système de transfert de chaleur intérieur pourrait créer des conditions dangereuses avec risques de blessures et de dommages matériels.

1.3.2 Directives d'installation

La sortie d'air chaud du kit HTK-EXT doit être dirigée vers le bas pour empêcher l'infiltration d'eau à l'intérieur.

IMPORTANT : Le conduit flexible isolé est à dégagement zéro aux matériaux combustibles, mais NE PEUT PAS être comprimé à un diamètre inférieur.

NOTE: Le conduit doit être supporté à des intervalles ne dépassant pas 4 pieds (122 cm), avec pas plus de 1/2 po (13 mm) de déflexion entre les supports, tel qu'exigé par les codes locaux. Ne remplacez pas le conduit flexible isolé fourni par aucun autre type de conduit.

Longueur minimum du conduit : 3 pieds (914 mm)

Longueur maximum du conduit : 25 pieds (7,8 m)

Dégagement au conduit flexible : 0 pouce (0 mm)

1.3.3 Exigences de peinture

La grille de sortie d'air du kit HTK-EXT peut être peinte à la couleur désirée, pourvu que la peinture choisie ait une résistance suffisante aux températures et conditions ambiantes, en respectant les conditions suivantes :

- Avant de peindre le chapeau d'évacuation du HTK-EXT, sablez bien le revêtement existant avec du papier sablé ou de la laine d'acier.
- Le couvercle de façade du chapeau d'évacuation peut être peint sur place en faisant sécher la peinture à 400°F (204°C). Toutes les autres pièces du chapeau d'évacuation peuvent être peintes, mais on ne doit pas les faire sécher à plus de 190°F (88°C) pour ne pas surchauffer les joints d'étanchéité et autres composants.
- Un scellant à base de silicone sera utilisé durant l'installation, ce qui peut affecter l'adhérence de la peinture. Veuillez informer le peintre local de ce contenu en silicone.

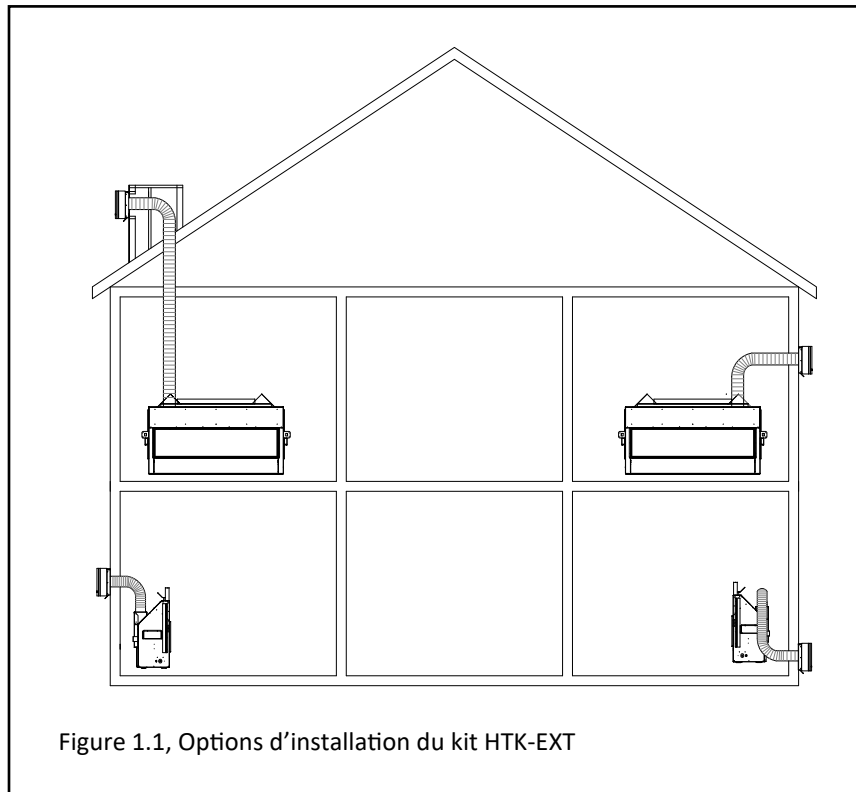


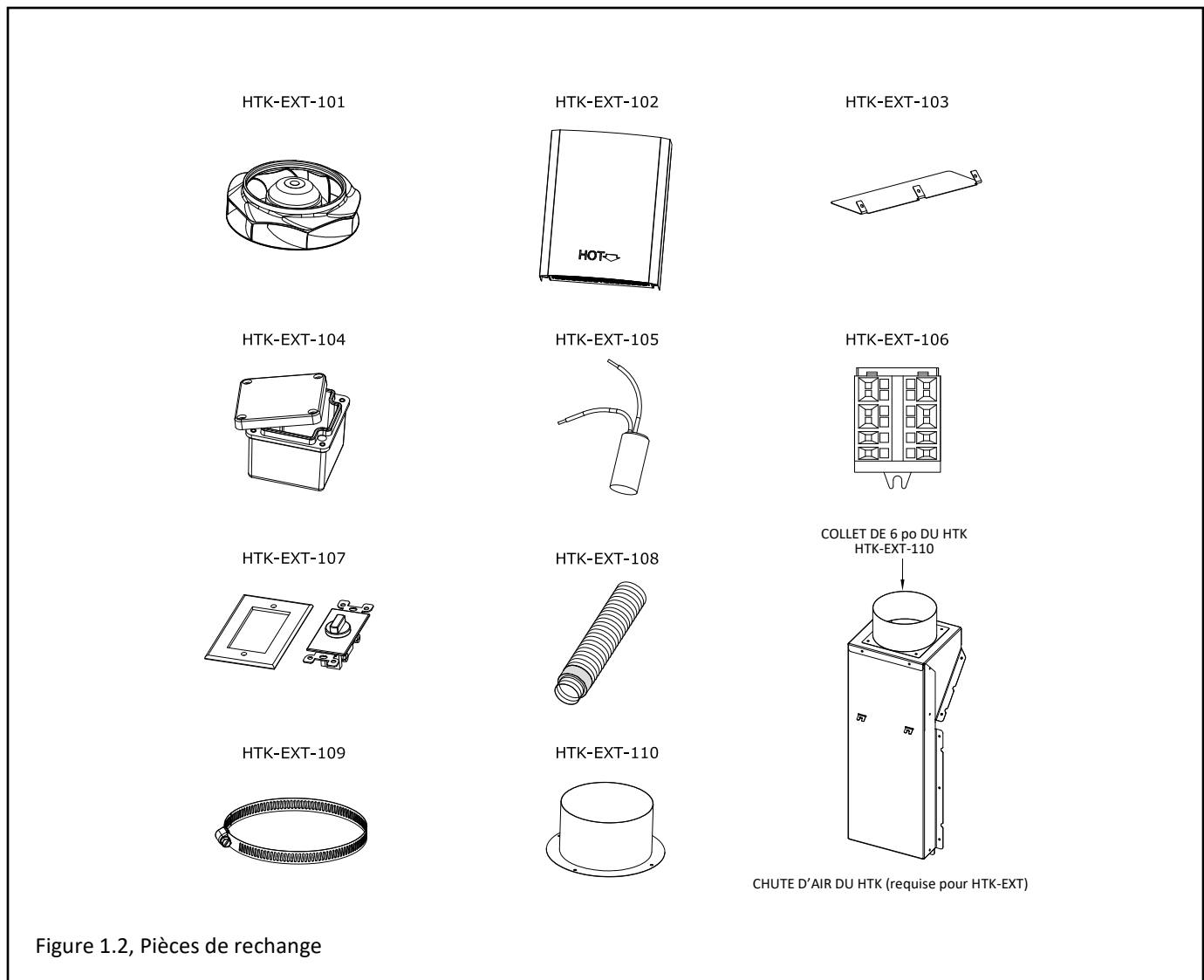
Figure 1.1, Options d'installation du kit HTK-EXT

1.4 Pièces de rechange

Ventilateur	HTK-EXT-101
Chapeau d'évacuation	HTK-EXT-102
Protecteur de revêtement de vinyle	HTK-EXT-103
Boîte électrique	HTK-EXT-104
Condensateur	HTK-EXT-105
Bloc de branchement	HTK-EXT-106
Contrôle de vitesse	HTK-EXT-107
Conduit flexible isolé de 6 po	HTK-EXT-108
Collier de serrage	HTK-EXT-109
Collet de 6 po du HTK	HTK-EXT-110

1.4.1 Chute d'air du kit de transfert de chaleur

- La chute d'air du HTK est nécessaire pour installer le kit HTK-EXT.
- (1) chute d'air est requise pour chaque kit de transfert de chaleur.
- Commandez la chute d'air spécifique à votre modèle de foyer. Votre chute d'air peut différer du modèle de chute d'air illustré.

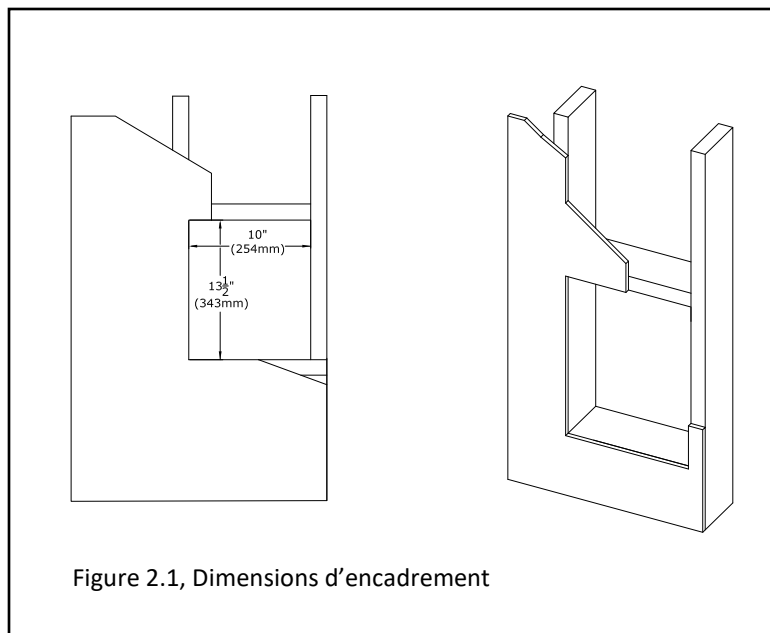


2.0 Installation

2.1 Encadrement de la terminaison d'évacuation

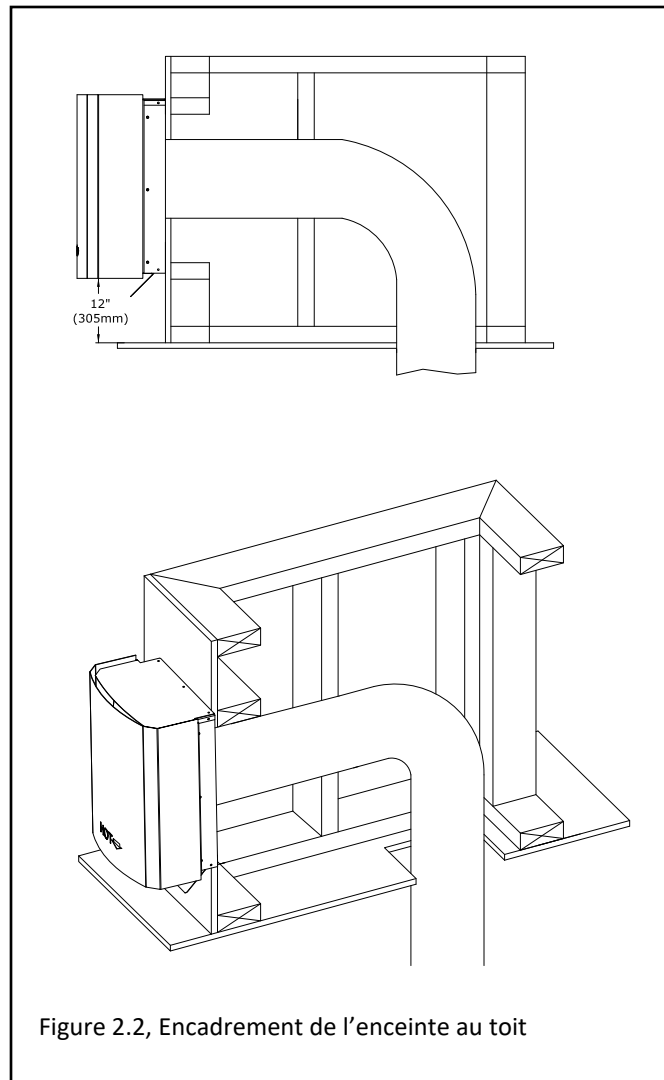
L'encadrement de la terminaison d'évacuation DOIT être de niveau pour que le chapeau installé soit de niveau. Ceci pour éviter que de l'eau de pluie ne s'accumule à l'intérieur du chapeau d'évacuation.

Déterminez l'emplacement désiré du chapeau d'évacuation du kit de transfert de chaleur extérieur. Pour les dégagements du chapeau d'évacuation horizontal, voir la FIGURE 2.3.



2.2 Encadrement d'une terminaison au toit

Si le chapeau d'évacuation du HTK-EXT est installé sur un toit plat, fabriquez une enceinte similaire à celle illustrée à la FIGURE 2.2.



2.3 Dégagements du chapeau d'évacuation horizontal

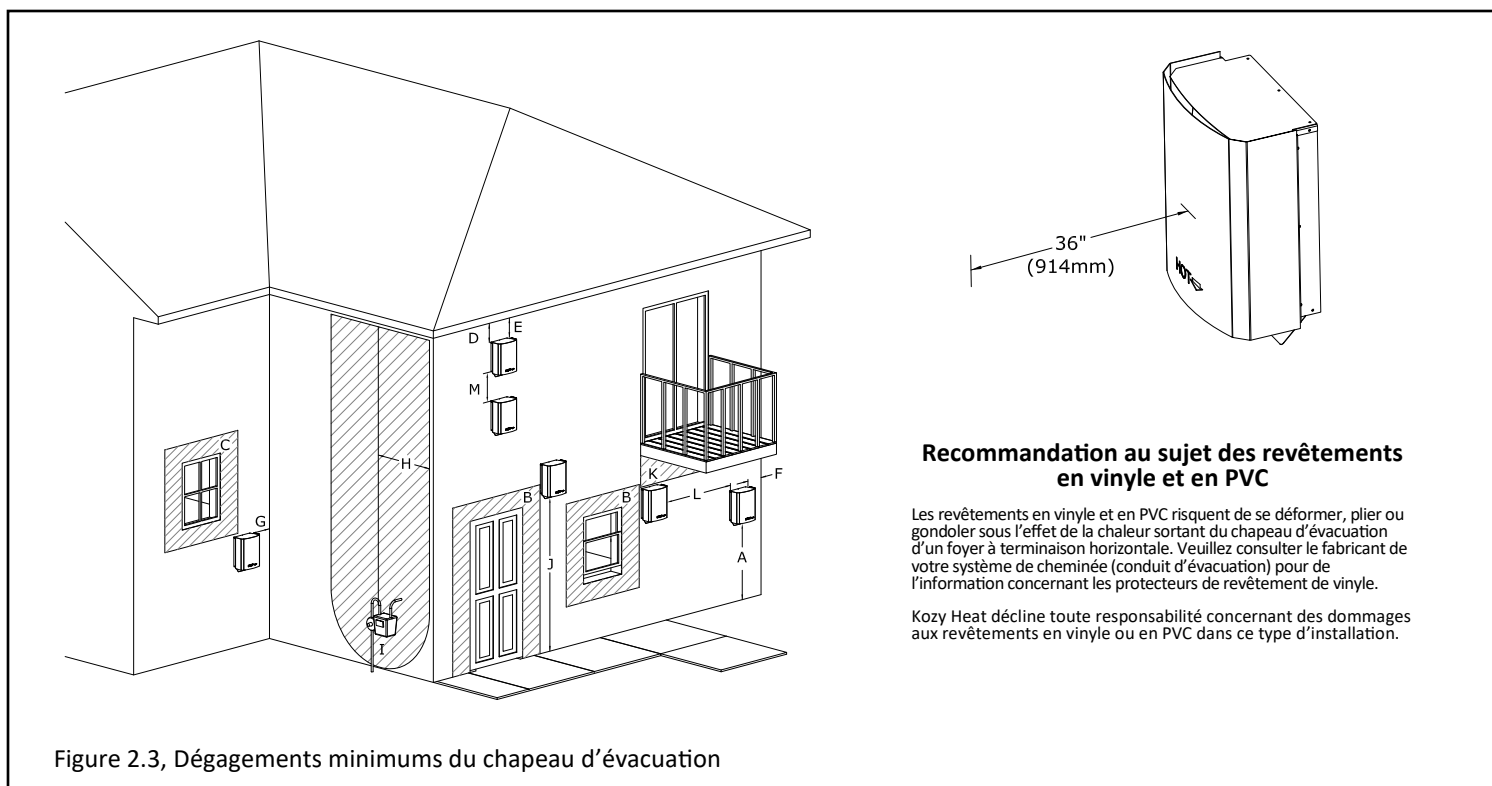


Figure 2.3, Dégagements minimums du chapeau d'évacuation

		Installations au Canada	Installations aux États-Unis
A	Dégagement au-dessus d'un terrain, véranda, galerie, terrasse ou balcon	12 po (30 cm)	12 po (30 cm)
B	Dégagement à une porte ou fenêtre ouvrante	12 po (30 cm)	9 po (23 cm)
C	Dégagement à une fenêtre fermée en permanence (recommandé pour éviter la condensation sur la fenêtre)	12 po (30 cm)*	12 po (30 cm)*
D	Dégagement vertical à un soffite ventilé situé au-dessus de la terminaison en-deçà d'une distance horizontale de 2 pieds (61 cm) à partir du bord de la terminaison	0 po (0 cm)*	0 po (0 cm)*
E	Dégagement à un soffite non ventilé	0 po (0 cm)*	0 po (0 cm)*
F	Dégagement à un coin extérieur	0 po (0 cm)*	0 po (0 cm)*
G	Dégagement à un coin intérieur	12 po (30 cm)*	12 po (30 cm)
H	Dégagement de chaque côté de la ligne centrale prolongée au-dessus d'un compteur / régulateur de gaz	3 pieds (91 cm) de distance horizontale mesuré à partir du milieu du régulateur, sur une hauteur de 15 pieds (4,57 m)	*
I	Dégagement à la sortie d'évent du régulateur de gaz	3 pieds (91 cm)	*
J	Dégagement au-dessus d'un trottoir pavé ou d'une entrée d'auto pavée située sur un terrain public	7 pieds (2,13 m)†	*
K	Dégagement sous la véranda, la galerie, la terrasse ou le balcon	0 po (0 cm)‡	0 po (0 cm)
L	Dégagement entre deux terminaisons d'évacuation horizontales	12 po (30 cm)	12 po (30 cm)

* Les dégagements doivent être conformes aux codes d'installation locaux et aux exigences du fournisseur de gaz.

† La terminaison ne peut pas être située directement au-dessus d'un trottoir ou d'une entrée d'auto pavée situé(e) entre deux habitations unifamiliales et desservant ces deux habitations.

‡ Permis seulement si la véranda, la galerie, la terrasse ou le balcon est complètement ouvert sur au moins deux côtés sous le plancher.

AVIS DE NON-RESPONSABILITÉ POUR SOFFITES/PLAFONDS/AVANT-TOITS EN VINYLE : Dégagements aux matériaux résistant à la chaleur (ex. bois, métal). Ceci n'inclut pas le vinyle. Hussong Manufacturing Co., Inc. n'est pas responsable des dommages dus à la chaleur si la terminaison d'évacuation aboutit sous un avant-toit, plafond ou soffite en vinyle (ventilé ou non ventilé).

Recommandation au sujet des revêtements en vinyle et en PVC: Les revêtements en vinyle et en PVC risquent de se déformer, plier ou gondoler sous l'effet de la chaleur sortant du chapeau d'évacuation d'un foyer à terminaison horizontale. Veuillez consulter le fabricant de votre système de cheminée (conduit d'évacuation) pour de l'information concernant les protecteurs de revêtement de vinyle. Kozy Heat décline toute responsabilité concernant des dommages aux revêtements en vinyle ou en PVC dans ce type d'installation.

2.4 Instructions d'installation

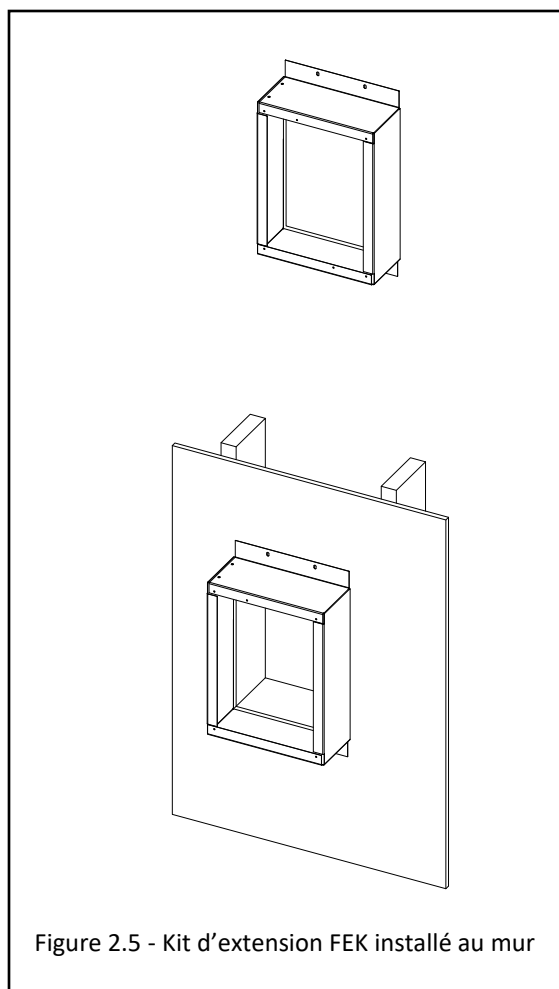
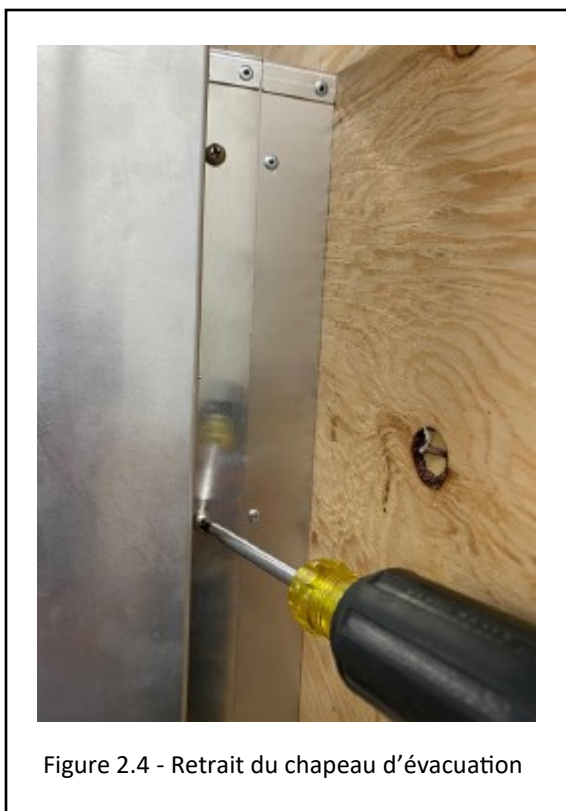
NOTE: Si votre installation comporte des matériaux de finition extérieure d'une épaisseur supérieure à 1 po (25 mm) vous aurez besoin du kit d'extension de finition HTK-EXT-FEK. Ce kit d'extension doit être installé pour bien installer le kit HTK-EXT et les matériaux de finition extérieure plus épais. Commandez-le avec l'appareil et les conduits d'évacuation.

NOTE: Il peut être plus facile dans certaines installations de fixer le conduit flexible isolé au HTK-EXT avant de fixer le kit HTK-EXT à l'extérieur du bâtiment. Si vous fixez le conduit flexible isolé au kit HTK-EXT en premier, le conduit serait inséré à travers l'ouverture encadrée durant l'installation du kit HTK-EXT. Voir l'étape 11 (page 10) pour plus d'information.

1. Retirez les (6) vis du chapeau d'évacuation, pour installer la base du HTK-EXT. Voir la FIGURE 2.4.

NOTE: Si vous utilisez un matériau de finition extérieure d'une épaisseur supérieure à 1 po (25 mm) (ex. de la pierre), vous devrez utiliser le Kit d'extension de finition HTK-EXT-FEK (spécifique au kit transfert de chaleur extérieur). Commencez à l'étape 2. Si vous installez le HTK-EXT avec un matériau de finition de moins de 1 po (25mm), sautez à l'étape 6 (à la page suivante).

2. Placez la boîte du kit d'extension de finition (FEK) par-dessus l'ouverture encadrée dans le mur. Vérifiez que le FEK est de niveau pour que l'eau de pluie ne s'accumule pas dans le chapeau d'évacuation du HTK-EXT installé. Fixez-la au bâtiment. Vérifiez que la boîte reste perpendiculaire pour que le HTK-EXT puisse être installé correctement. Voir la FIGURE 2.5.
3. Calfeutrez tous les coins, joints et lignes de contour avec du scellant à base de silicone. Vérifiez que tous les trous et fentes sont remplis pour former une enveloppe scellée étanche. Voir la FIGURE 2.6 et la FIGURE 2.7 (page suivante).
4. Le mur est maintenant prêt à recevoir les matériaux de finition (ex. pierre, marbre ou brique), qui peuvent être appliqués jusqu'aux brides du HTK-FEK qui dépassent perpendiculairement du mur. Ceci permet de s'assurer que le chapeau d'évacuation s'insérera bien dans l'ouverture, une fois le mur fini. NOTE: Les matériaux de finition ne doivent exercer aucune pression sur les brides extérieures du HTK-FEK, pour éviter que les matériaux de finition installés ne rétrécissent trop l'ouverture.
5. Après avoir installé le HTK-FEK et terminé la finition du mur, appliquez un joint de silicone au HTK-FEK sur tout le pourtour de la bride en métal, aux points de contact avec le HTK-EXT.



6. — Si vous utilisez le kit HTK-EXT-FEK, alignez la base du HTK-EXT avec le kit FEK en vérifiant que le chapeau est de niveau. Mettez un joint de silicone tout autour de la bride en métal du HTK-EXT-FEK et sur la face arrière du HTK-EXT. Voir la FIGURE 2.8 et la FIGURE 2.10.
- Si vous fixez la base du kit HTK-EXT directement au mur, mettez un joint de silicone sur la face arrière de la base du HTK-EXT. Voir la FIGURE 2.8. Ensuite, mettez un joint de silicone là où le matériau de finition est en contact avec le HTK-EXT. Voir la FIGURE 2.9.

Les étapes suivantes concernent les procédures pour votre foyer.

7. Retirez les vis à tôle retenant le couvercle du HTK sur votre foyer. La FIGURE 2.11 montre ce couvercle fixé au foyer CLW-72. L'emplacement du couvercle HTK peut varier avec le modèle de foyer. Voir le manuel d'installation de votre foyer pour plus de détails. Modèle de foyer CLW-ST: les deux couvercles rectangulaires doivent être retirés du boîtier externe du foyer.
8. Modèle de foyer CLW-ST: Il y a (2) ouvertures sur la chute d'air HTK-CWST, qui permettent d'installer un ou deux kits de transfert de chaleur de même type (intérieur seulement ou extérieur seulement). Si vous installez (1) kit, retirez (1) couvercle pour installer (1) collet. Si vous installez (2) kits, retirez (2) couvercles pour installer (2) collets.
9. Installez la chute d'air du kit de transfert de chaleur spécifique à votre foyer. Utilisez les vis à tôle fournies dans le kit pour installer la chute d'air au foyer. Voir les instructions fournies avec la chute d'air du HTK spécifique à votre modèle de foyer. Une fois la chute d'air installée, vérifiez que le registre (volet) appuie contre la paroi du boîtier du foyer lorsque le registre est en position de repos. Vérifiez que le registre pourra se déplacer librement lorsque le ventilateur démarre. Voir la FIGURE 2.12.
10. Installez le raccord fourni avec la chute d'air en utilisant (4) vis à tôle.

(Suite des instructions à la page 10)



Figure 2.7 - Silicone appliqué au périmètre



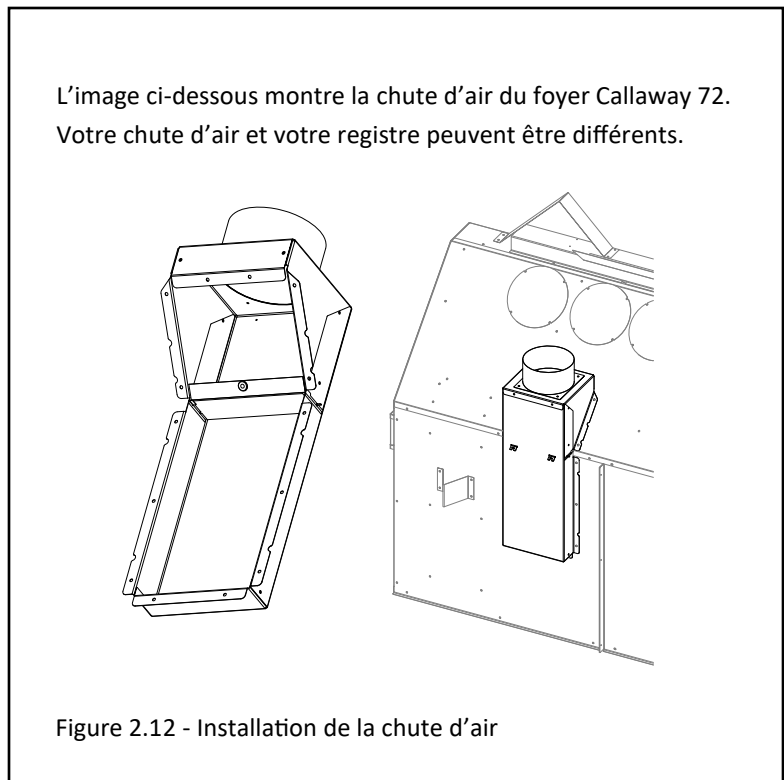
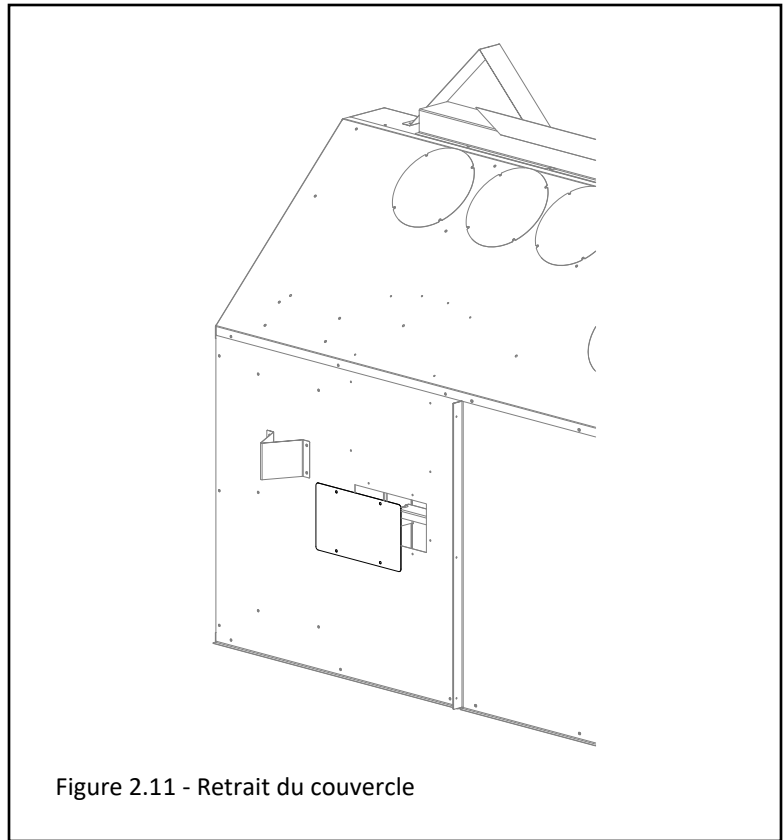
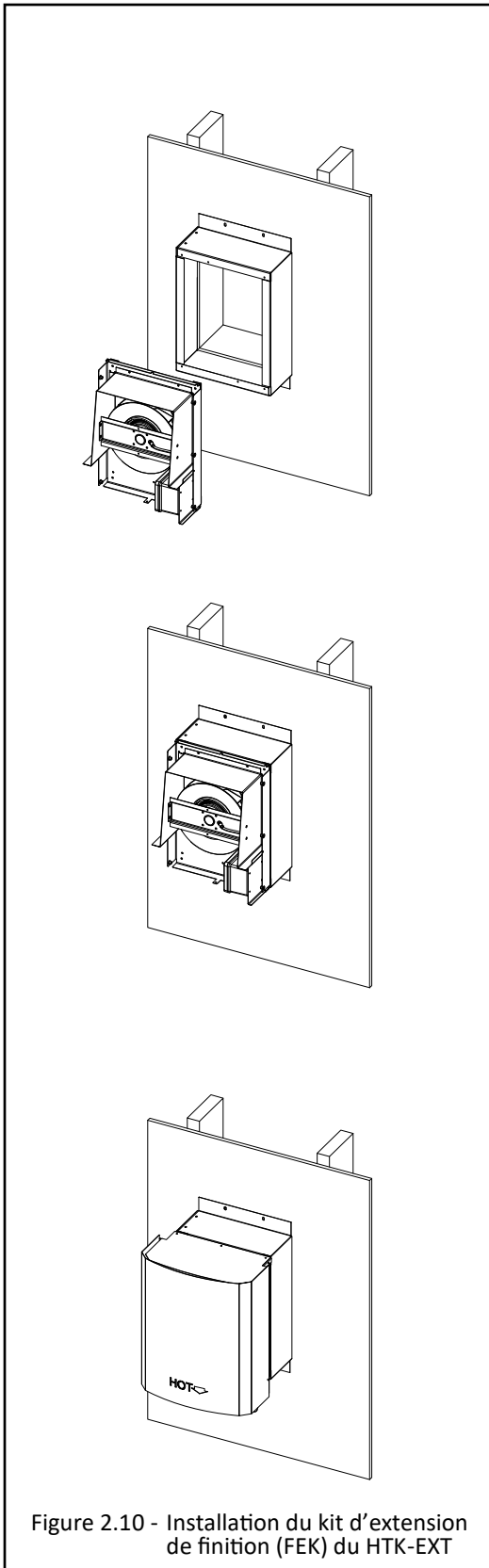
Figure 2.8 - Silicone à la face arrière du HTK-EXT



Figure 2.9 - Silicone aux matériaux de finition



Figure 2.6 - Silicone appliqué aux coins



Les étapes suivantes concernent la procédure pour le kit de transfert de chaleur extérieur HTK-EXT.

11. Posez le collier de serrage sur le raccord de 6 po du HTK-EXT, tel que montré à la FIGURE 2.13. Fixez le revêtement interne de 6 po au collet avec (3) vis à tôle. Utilisez le collier de serrage pour fixer le revêtement isolant externe par-dessus le revêtement interne au collet du HTK-EXT. Voir la FIGURE 2.14 et la FIGURE 2.15.
12. Coupez le conduit flexible isolé à la longueur requise pour aller du collet de chute d'air au collet du kit de transfert de chaleur extérieur.
13. Glissez le collier de serrage sur le collet de la chute d'air du HTK qui est fixé au foyer. Fixez le revêtement interne de 6 po au collet avec (3) vis à tôle. Utilisez ce collier de serrage pour fixer le revêtement isolant externe par-dessus le revêtement interne et le collet de la chute d'air.
14. Fixez solidement le conduit flexible. Assurez-vous de supporter le conduit à intervalles maximums de 4 pieds (122 cm).
15. Insérez le câble dans le HTK-EXT. Voir la Section 3.0 (page 11).
16. Après avoir installé tout le câblage nécessaire, réinstallez le chapeau d'évacuation en utilisant les (6) vis retirées précédemment.
17. Utilisez les (3) vis fournies pour fixer le protecteur de revêtement de vinyle. Voir la FIGURE 2.16.

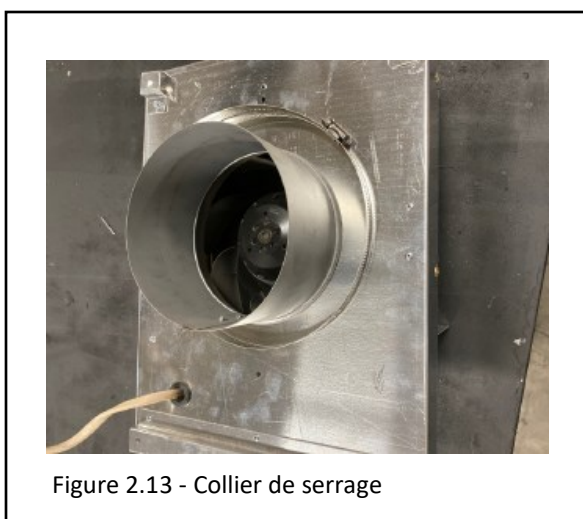


Figure 2.13 - Collier de serrage



Figure 2.15 - Revêtement externe fixé avec le collier de serrage



Figure 2.14 - Vis dans le revêtement interne



Figure 2.16 - Protecteur de revêtement de vinyle installé

3.0 Système électrique

3.1 Alimentation électrique

- Le HTK-EXT utilise une alimentation électrique de 120V c.a., (60 Hz). L'appel de courant de cet appareil est de 1,72 Ampère.
- Débranchez l'alimentation électrique avant d'effectuer des travaux.

3.2 Installation électrique

- Le point d'entrée du câble électrique alimentant le HTK-EXT est situé à l'arrière du chapeau d'évacuation. Si vous installez le chapeau d'évacuation avant d'avoir terminé l'installation électrique, vérifiez qu'il y a assez d'espace d'accès à l'arrière du chapeau d'évacuation, pour insérer le câble dans l'oeillet passe-câble et la boîte électrique.

- Le commutateur on/off du contrôle de vitesse du ventilateur (fourni) est le seul commutateur de contrôle de vitesse approuvé pour cet appareil. Si vous choisissez de ne pas utiliser le contrôle de vitesse fourni, vous pouvez connecter un commutateur on/off de votre choix, mais vous ne pouvez pas y connecter aucun autre contrôle de vitesse de ventilateur. Vérifiez que le commutateur que vous choisirez est conforme aux exigences d'alimentation électrique spécifiées à la Section 3.1, pour ce système.
- Le ventilateur du kit HTK-EXT fera un bruit, une fois en marche. Les effets du niveau sonore accru peuvent être minimisés en planifiant avec soin l'installation du système.
- Au moment d'effectuer le câblage du contrôle de vitesse on/off du ventilateur (fourni), les fils sortant du commutateur devront intercepter le fil chargé (porteur de tension) sortant du câble d'alimentation du HTK-EXT. À l'intérieur de la boîte électrique du HTK-EXT, il y a trois fils conducteurs à connecter aux fils du câble d'alimentation : (1) noir, (1) blanc et (1) vert.

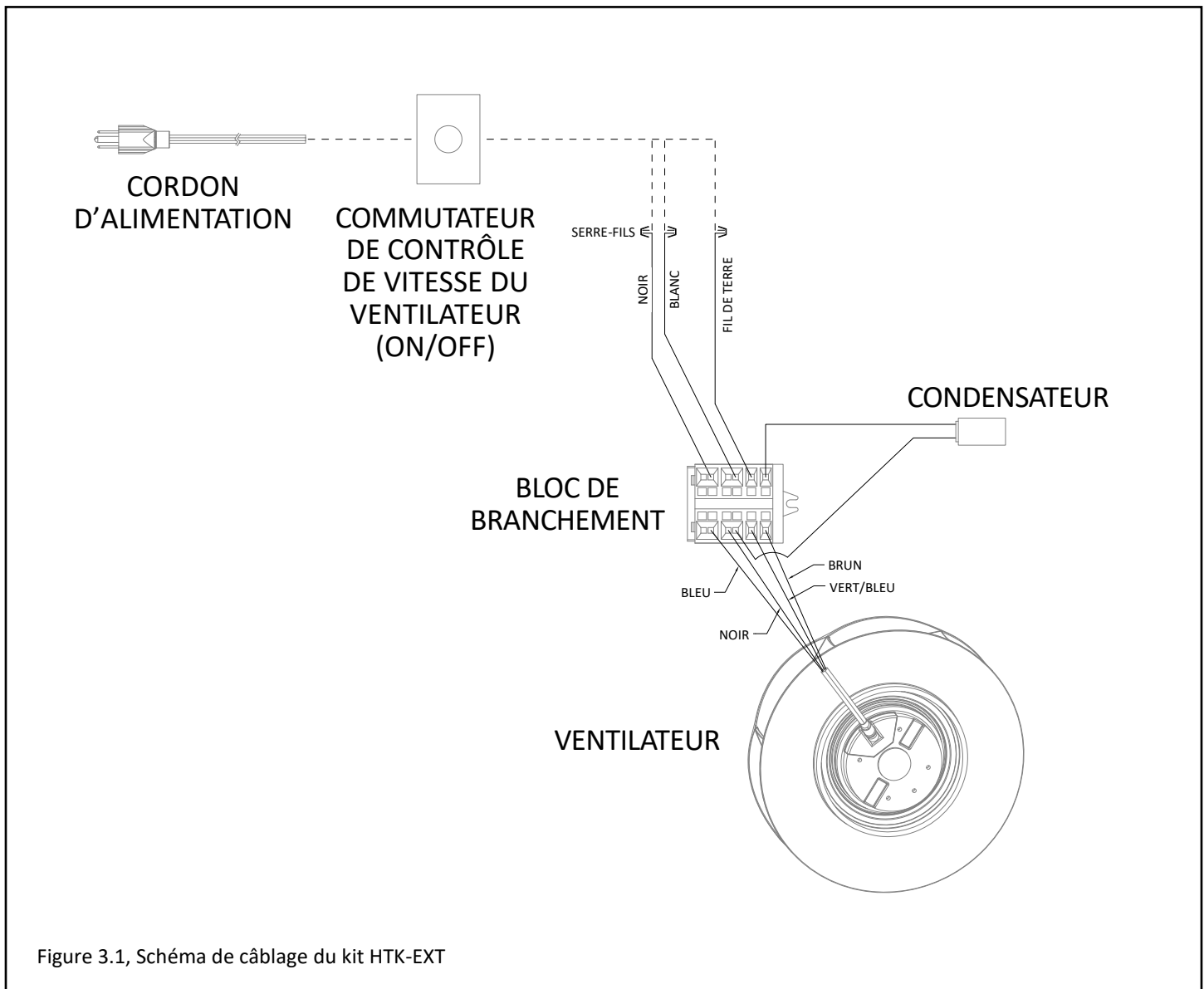


Figure 3.1, Schéma de câblage du kit HTK-EXT

4.0 Accessibilité

4.1 Composants internes et câble électrique

Pour accéder aux composants internes du HTK-EXT :

1. Retirez les (3) vis retenant le protecteur de revêtement de vinyle (déflecteur de chaleur) à la base du HTK-EXT.
2. Retirez les (3) vis de chaque côté du chapeau d'évacuation. Retirez le chapeau d'évacuation de la base du HTK-EXT. Voir la FIGURE 4.1.
3. Retirez les (4) vis retenant le couvercle de la boîte électrique étanche à l'eau. Voir FIGURE 4.2.



Figure 4.1 - Retrait du chapeau d'évacuation



Figure 4.2 - Retrait du couvercle de la boîte électrique

4.2 Remplacement du condensateur

1. Retirez les (4) vis retenant le couvercle de la boîte électrique étanche à l'eau. Voir la FIGURE 4.2.
2. Avec un petit tournevis plat (ou un poinçon), poussez les languettes du bloc de branchement pour libérer le câble du condensateur.
3. Installez le nouveau condensateur en utilisant le même outil utilisé pour ouvrir les languettes du câble du bloc de branchement.

4.3 Remplacement du ventilateur

1. Retirez les (4) vis retenant le couvercle de la boîte électrique étanche à l'eau. Voir la FIGURE 4.2.
2. Avec un petit tournevis plat (ou un poinçon), poussez les languettes du bloc de branchement pour libérer le câble du condensateur.
3. Poussez pour sortir le câble de l'œillet (passe-câble) de la boîte électrique.
4. Retirez les (4) vis Phillips retenant le ventilateur au support de ventilateur.
5. Retirez le ventilateur.
6. Installez le nouveau ventilateur de remplacement.
7. Fixez le ventilateur au support de ventilateur avec (4) vis.
8. Poussez pour insérer le câble dans l'œillet (passe-câble) de la boîte électrique.
9. Attachez le câble dans le bloc de branchement.
10. Fixez le couvercle à la boîte électrique étanche à l'eau avec (4) vis.