

Nordik 60TL Refractory Panel Installation

For Part#: NK60TL-CB900, NK60TL-BB900, NK60TL-HB900, NK60TL-L900

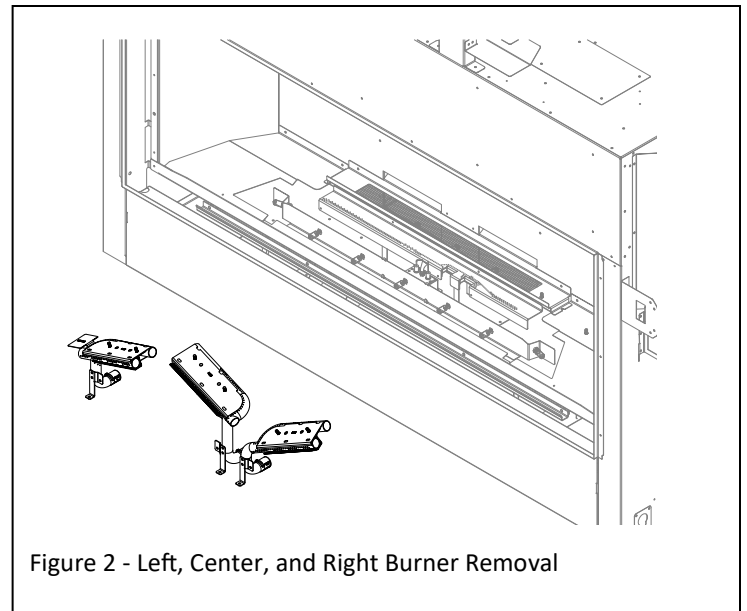
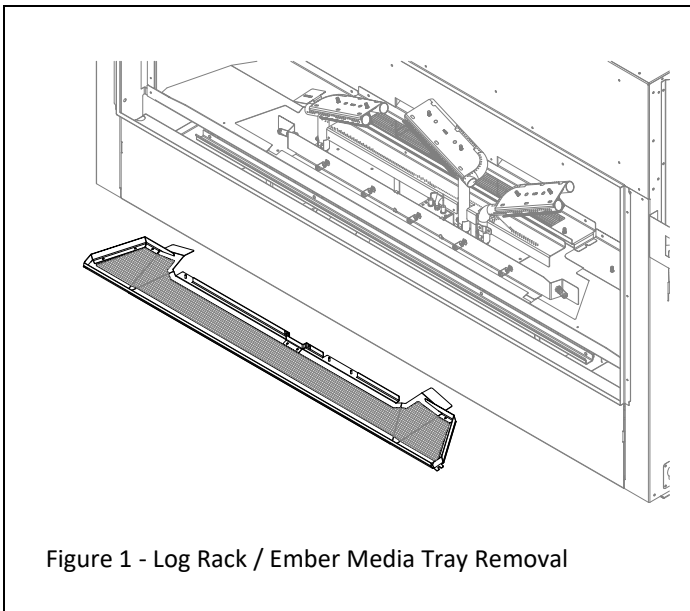
WARNING: This product can expose you to chemicals including Ethylbenzene which is (are) known to the State of California to cause cancer, birth defects, or other reproductive harm. For more information, visit www.P65Warnings.ca.gov

- Included Parts: (2) Side Refractory Panels, (1) Rear Refractory Panel, (4) panel clips

Note: The panel clips are shipped flat. Separate clips and bend the metal fingers at a 90° angle. The metal fingers can be trimmed according to your installation. Ensure there is enough material to hold the panel.

Installation:

1. Remove the safety screen barrier, access cover, glass assembly, log set (if installed).
2. Remove the (2) screws securing the front ember bed media tray. Remove the (2) screws securing the front light kit. See Figure 1.
3. Next remove the left, center, and right burner assemblies by removing the screws that secure each burner assembly to the bottom burner and the floor of the control board. See Figure 2.
4. Install the rear refractory panel and secure the panel with two of the provided refractory clips. See Figure 3 & 4. The screws will be preinstalled in the baffle - See Figure 5. Loosen the screw and install the (2) panel clips.
5. Install each side refractory panel and secure each panel with a refractory clip. Loosen the screw located in the top front corner of the firebox and install the panel clip. The panel clip needs to be installed so the finger of the clip is towards the front of the firebox. See Figure 5 (Panel clip is white in picture to make it easier to see - panel clip will ship black).
6. Reinstall all previously removed components.



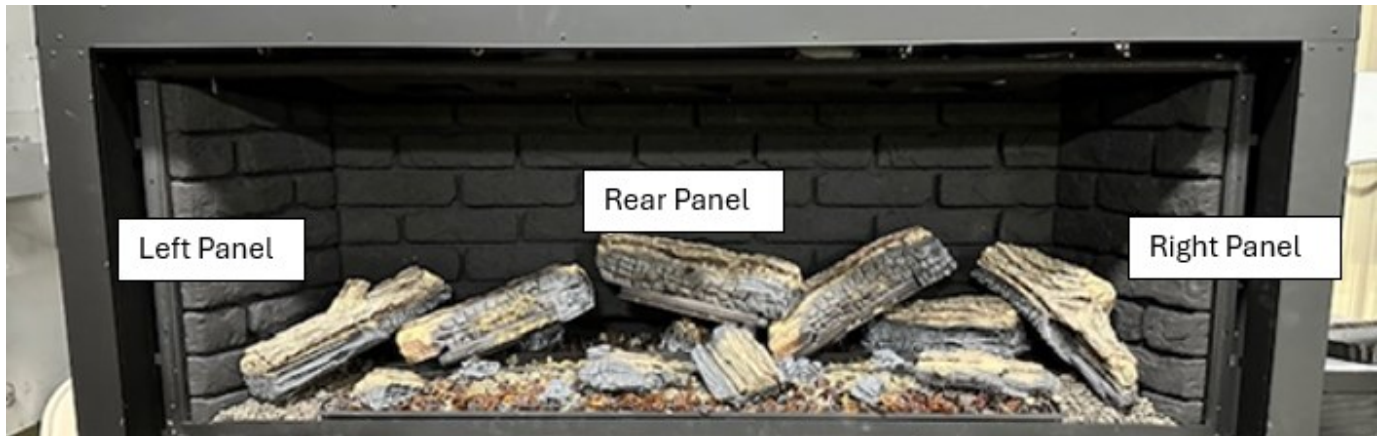


Figure 3 - Panel Identification



Figure 4 - Panel Clip Location



Figure 5 - Side Refractory - Panel Clip Location & Installation



Figure 6 - Rear Refractory - Panel Clip Location & Installation