


# #NK60TL-B501 BIRCH LOG SET

For use with model #NDK-60-TL

 **WARNING:** This product can expose you to chemicals including ceramic fiber and/or silica dust which is (are) known to the State of California to cause cancer, birth defects, or other reproductive harm. For more information, visit [www.P65Warnings.ca.gov](http://www.P65Warnings.ca.gov)

**NOTE:** Log numbers are located on the bottom or side of each log. Refer to the following instructions and illustration for proper placement. Your components may look different than the ones shown.

**CAUTION:** Do not place logs directly over burner port holes. Improper log placement may affect flame appearance and may cause excessive soot to build upon the glass.

- *If converting to propane, complete the conversion before installing the log set. Follow the conversion instructions included with the kit.*
  - *If installing a panel set, complete installation of panel set before log installation*
  - *Install all light bulbs into the front ember bed light kit before log installation.*
1. Remove valance from fireplace. Remove and retain (2) screws from the front ember bed media tray. Lift tray up and out of firebox. See Figure 1. Remove the (6) sheet metal screws that secure the left, center, and right burners to the bottom burner and floor of the control board. Remove the left, center, and right burners. See Figure 2.
  2. Install crushed media over the rear ember bed media tray. Place logs #60TL-B4, #60TL-B5, and #60TL-B6 as shown in Figure 3. Log #60TL-B6 is positioned by (2) correspond pins in the rear ember bed media tray. Logs #60TL-B4 and #60TL-B5 will sit on crushed glass. Log #60TL-B6 must lie flat on media tray. Failure to do so will negatively affect the flame. Install (4) small klinkers on the bottom burner pan. Do not block any burner porting.

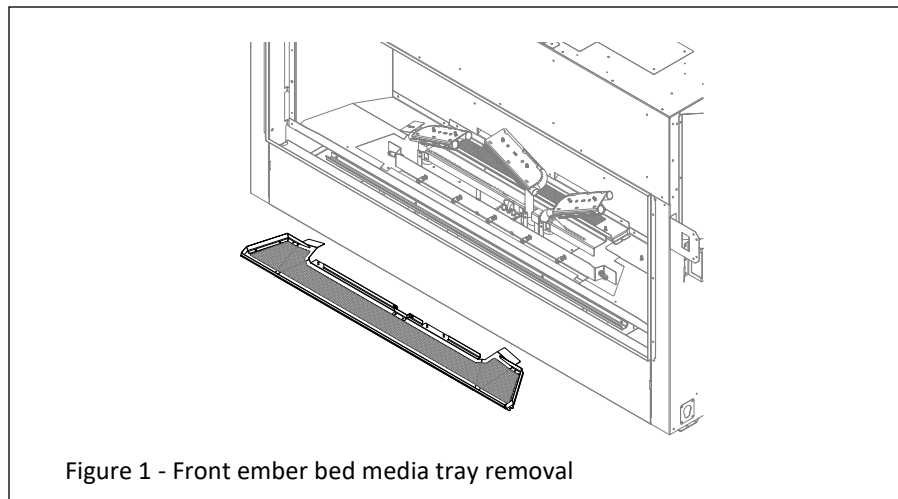


Figure 1 - Front ember bed media tray removal

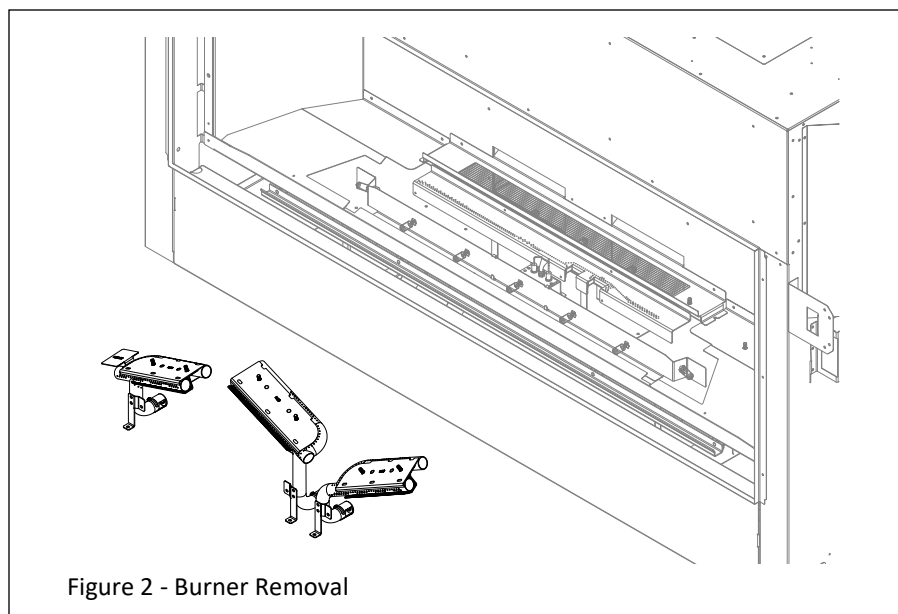


Figure 2 - Burner Removal

# #NK60TL-B501 BIRCH LOG SET

For use with model #NDK-60-TL

3. Reinstall the left, center, and right burners. Reinstall the front ember bed media tray. Install logs #60TL-B1, #60TL-B2, and #60TL-B3 on the burners via pin locations as shown in Figure 4. Install crushed media on the front ember bed media tray. Install #60TL-B13 and #60TL-B14 on the studs in the front ember bed media tray to locate these logs in the correct location. Install lava rock around the perimeter of the fireplace.

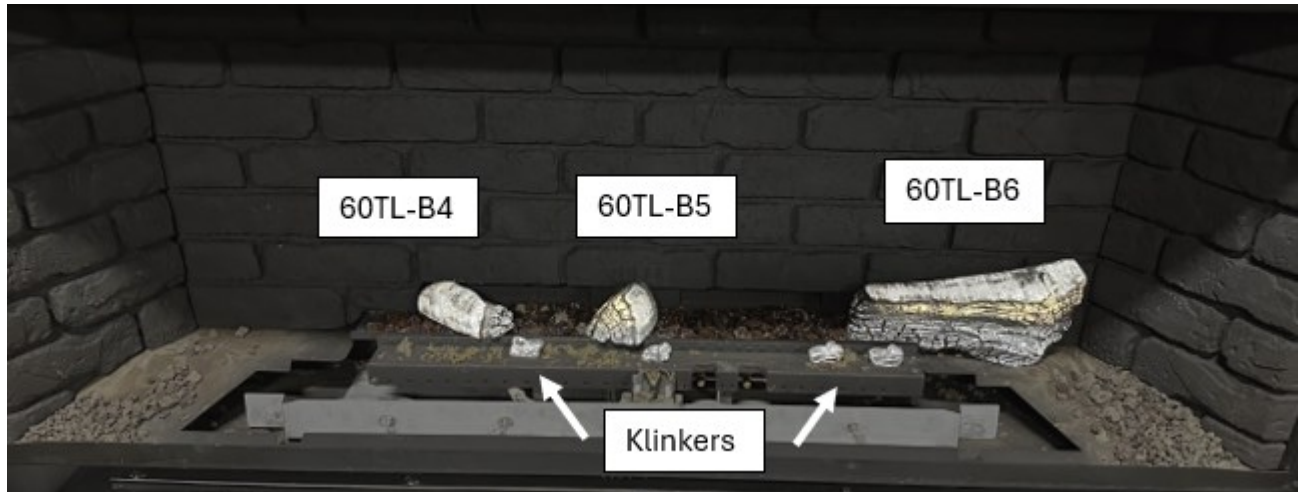


Figure 3 - Log Placement 1



Figure 4 - Log Placement 2

# #NK60TL-B501 BIRCH LOG SET

For use with model #NDK-60-TL

5. Install the logs #60TL-B8, #60TL-B9, #60TL-B10, and #60TL-B11 as shown in Figure 5. Log #60TL-B10 is located using the pins in log #60TL-B14
6. Install logs #60TL-B7 and #60TL-B12. Log #60TL-B7 has locating pin that gets inserted in an accompanying hole in log #60TL-B1. Log #60TL-B12 uses locating pin in log #60TL-B6 to position correctly. Refer to Figure 6. Install the (4) large klinkers across the front ember bed.



Figure 5 - Log Placement 3

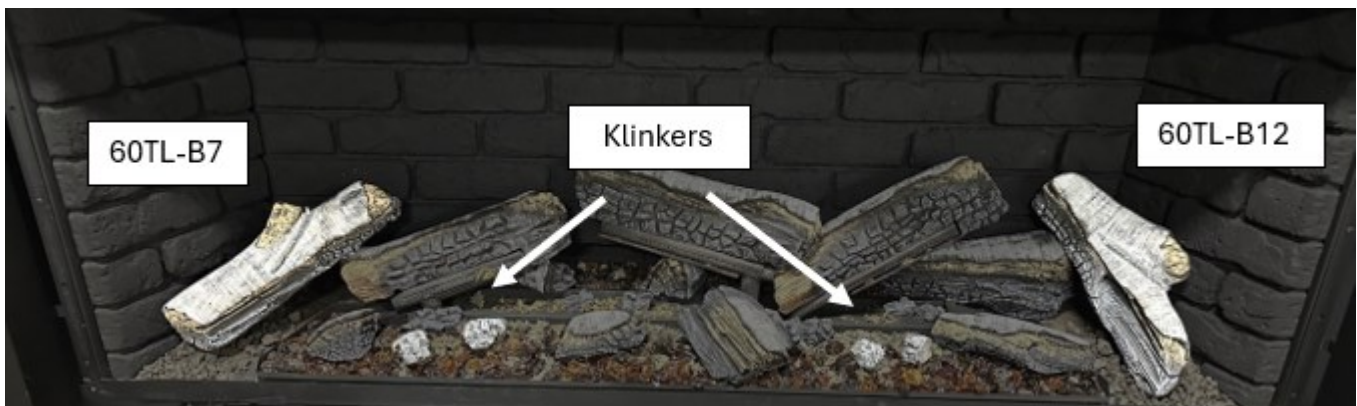
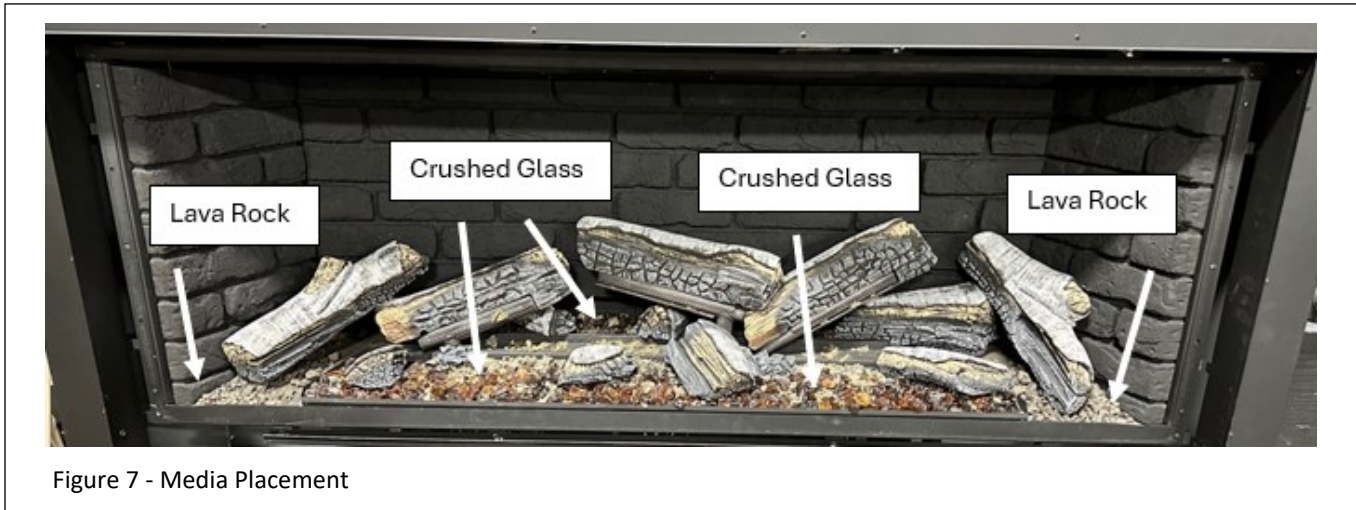


Figure 6 - Log Placement 4

# #NK60TL-B501 BIRCH LOG SET

For use with model #NDK-60-TL

Figure 7 shows the location for the crushed media provided with fireplace. It is required that no crushed media (glass media or lava rock) be placed on any of the burners or block the pilot flame. No crushed media is allowed to block burner porting. When spreading rock wool take consideration that no rock wool blocks the pilot flame from igniting the burner assembly.



## Rockwool Installation

- After installation of the log set you can apply rockwool across logs #60TL-B1, #60TL-B2, #60TL-B3, the bottom burner, and on the burner screen located on the elevated burner tubes..
- Use a small brush to brush the rockwool across the locations referenced above. Rockwool will provide a glow as the fireplace operates.
- DO NOT place the rockwool in excessively large pieces that would block large sections of burner ports. Excessive use of rockwool that blocks burner porting can create undesired flame characteristics and/or a possible delayed ignition.
- Make sure no rockwool is blocking the pilot flame or around the pilot assembly.

