

Komfort Zone Kit #KZK-1510A

For use with Bellingham 38 (#BHM-38), Bellingham 44 (#BHM-44), Callaway See-Thru (#CLW-ST), Callaway 50 (#CLW-50 & #CLW-50-MV), Nordik 36 DV (#NDK-36-DV) and Nordik 41 DV (#NDK-41-DV)

READ ALL THESE STEPS BEFORE STARTING INSTALLATION. LEAVE THESE INSTRUCTIONS WITH THE APPLIANCE.

This kit must be installed by a qualified installer, service agency, or gas supplier at the time of the heater installation.

These instructions must be used in conjunction with the installation and operation manual provided with the appliance.

Please read all appliance owner’s manual completely before performing any procedures in these instructions.

- 1.0 Introduction..... 3**
 - 1.1 Kit Contents 3
 - 1.2 Suggest Configurations..... 4
 - 1.3 Dimensions and Overview 8
 - 1.4 Air Duct Run..... 10
- 2.0 Framing and Clearances 12**
 - 2.1 Clearance to Sprinkler 12
 - 2.2 Framing..... 13
 - 2.3 Minimum Shelf Requirements..... 20
 - 2.4 Front Facing Clearances..... 24
- 3.0 Facing and Finishing 25**
 - 3.1 Non-combustible Requirements 29
 - 3.2 Finishing Requirements 35
 - 3.3 Hearth and Mantel Information 41
- 4.0 Fireplace Preparation & Installation..... 46**
 - 4.1 Bellingham 38 & Bellingham 44 46
 - 4.2 Callaway 50 & Callaway 50 MV 48
 - 4.3 Callaway See Thru 50
 - 4.4 Nordik 36 DV 52
 - 4.5 Nordik 41 DV 54



English and French installation manuals are available through your local dealer. Visit our website www.kozyheat.com.

Les manuels d’installation en français et en anglais sont disponibles chez votre détaillant local. Visitez www.kozyheat.com.

INSTALLER: Leave this manual with the appliance.

CONSUMER: Retain this manual for future reference.

IMPORTANT: Failure to read and follow these instructions may create a possible hazard and will void the fireplace warranty.

This optional convection duct kit redistributes the warm air flow away from the fireplace opening to a more desirable location using natural convection without the use of a fan. The warm air flow may be relocated to a position higher up the wall, out the sidewalls, or even to an adjacent room. The result is much cooler wall temperatures above the fireplace opening for locating televisions, artwork, etc.

1.0 Introduction

1.1 Kit Contents

ALL kit contents must be installed.

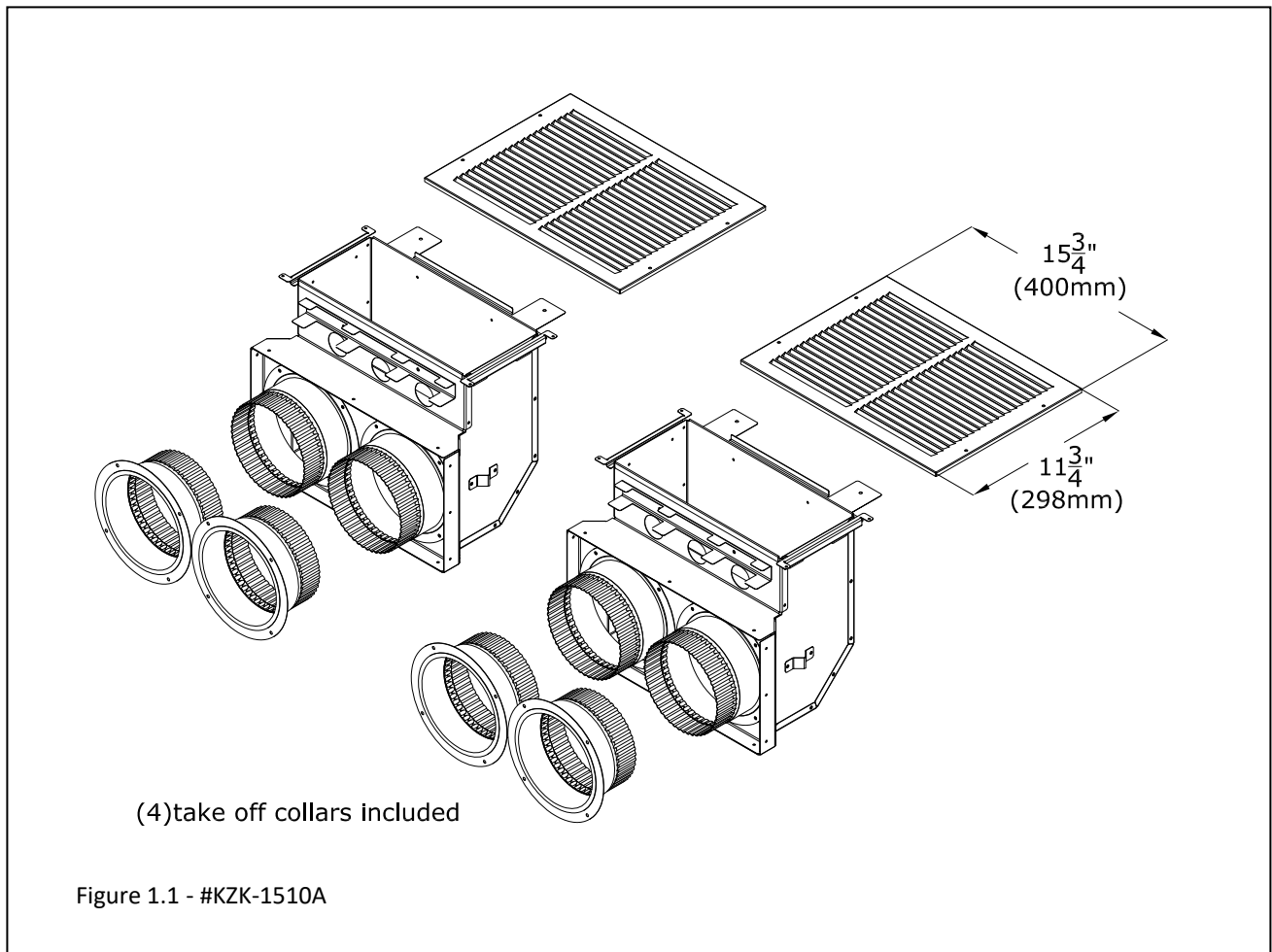
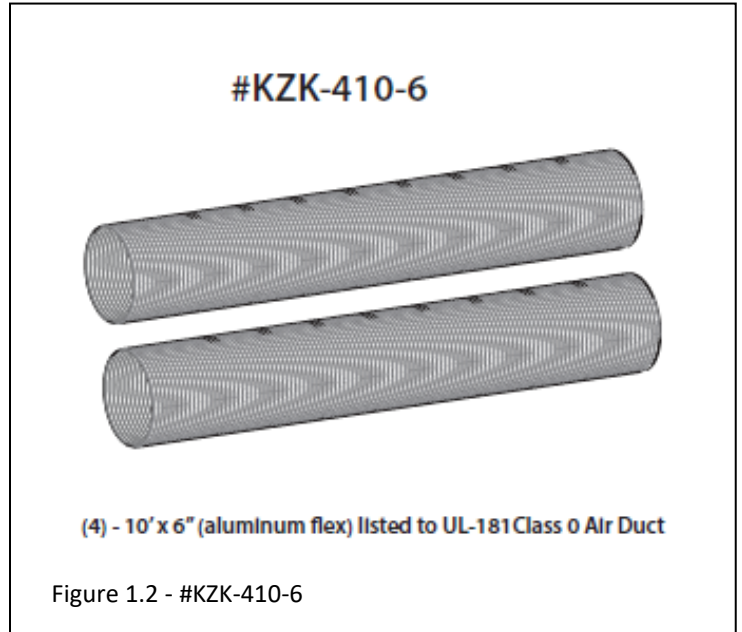
- (2) 15" plenums
- (2) Air Grilles
- (8) 6" collars - (4) to attach to the bottom of the plenums; (4) to attach to the unit where the cover plates are removed.

Additional Required Items

- KZK-410-6 (sold separately) is used for a 10' vent run. If you are mounting the plenum above the fireplace 10' (3m) or less, use (1) KZK-410-6 kit.

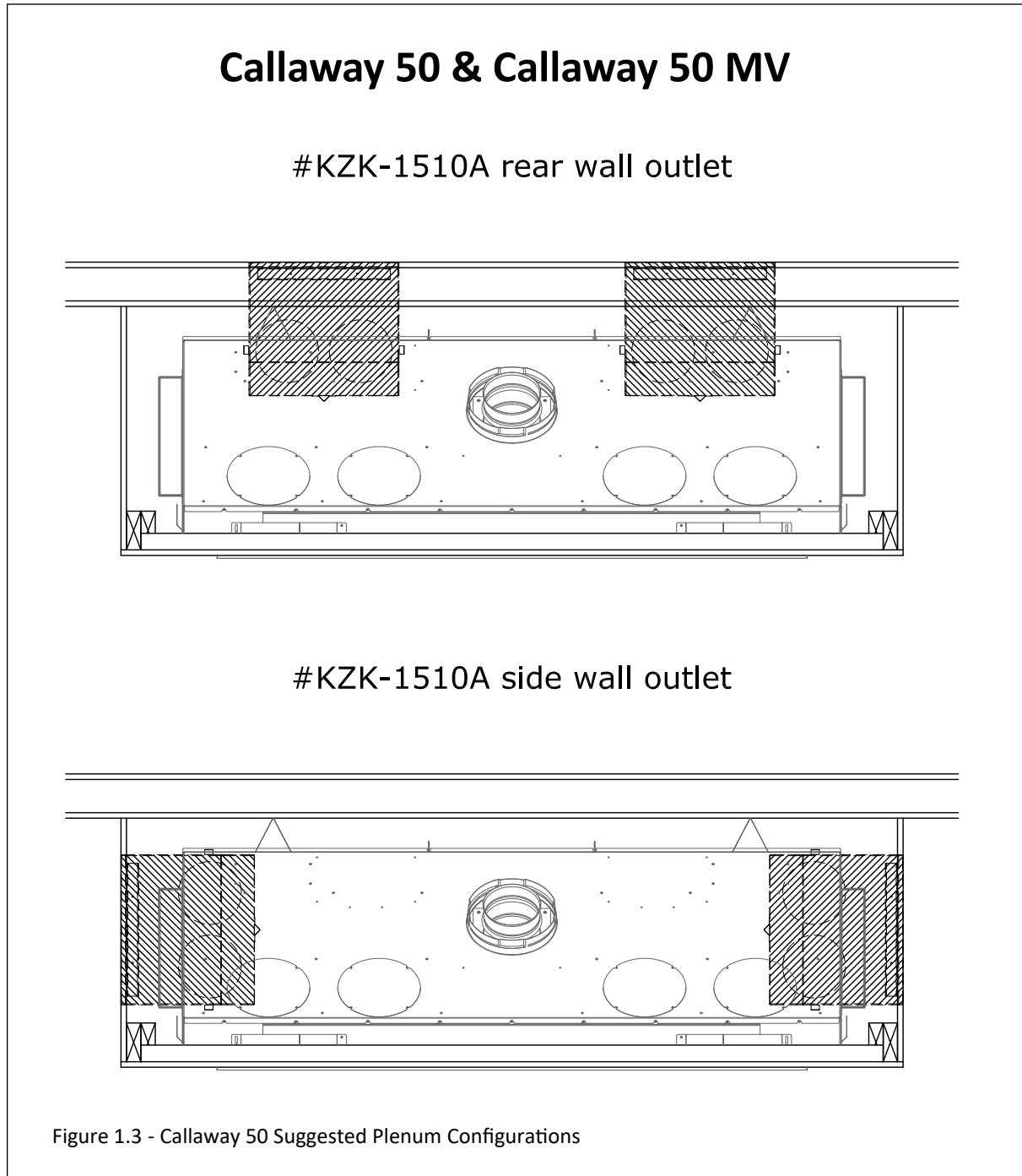
Optional Items

- KZK-CPL6 (sold separately) is (6) 6" couplers that connect (2) KZK-410-6. You will only need (4) 6" couplers for installation. If you are mounting the plenum above the fireplace between 10' to 20', you will need (2) KZK-410-6 kit and (1) #KZK-CPL6 coupler kit.

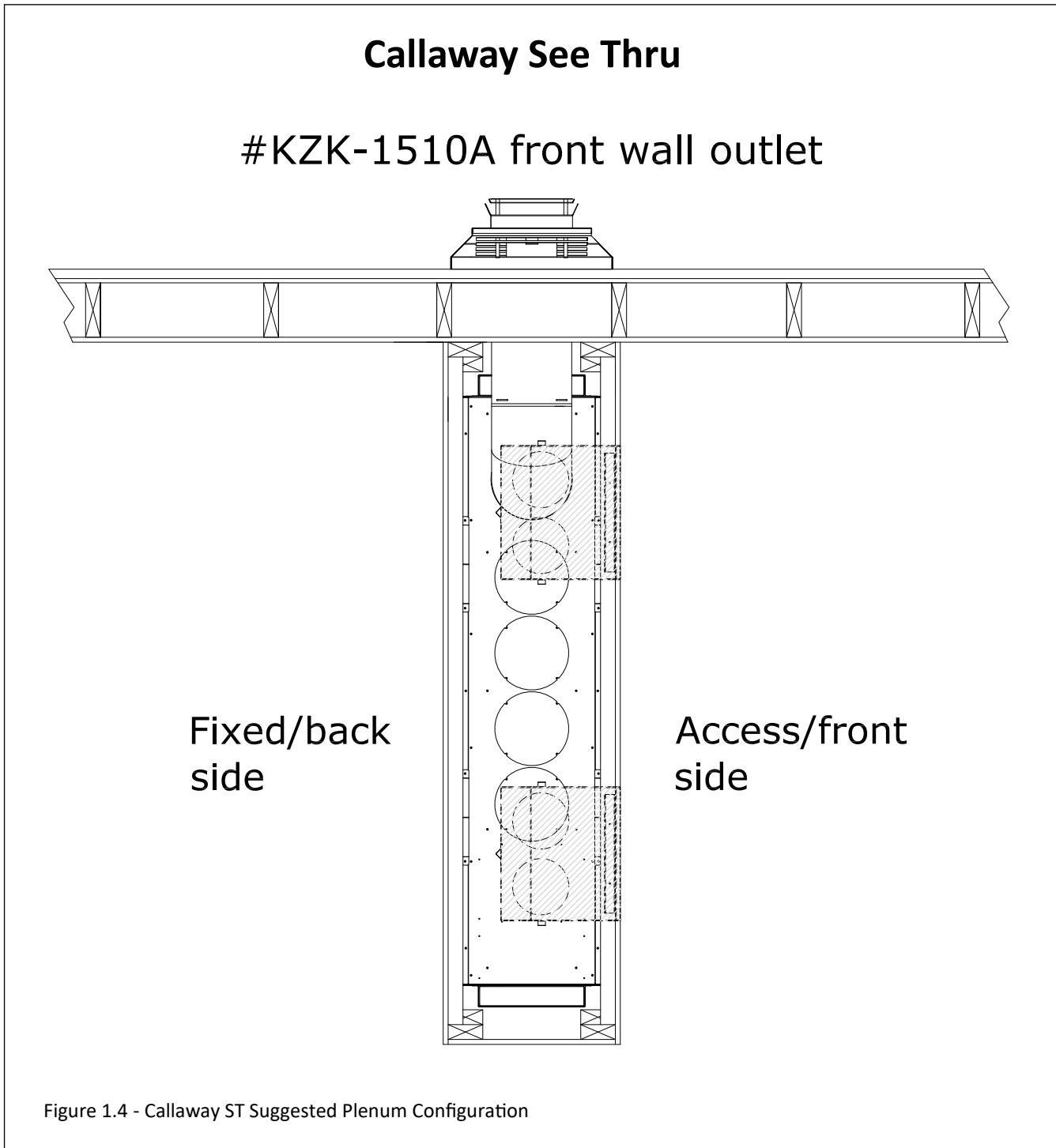


1.2 Suggested Configurations

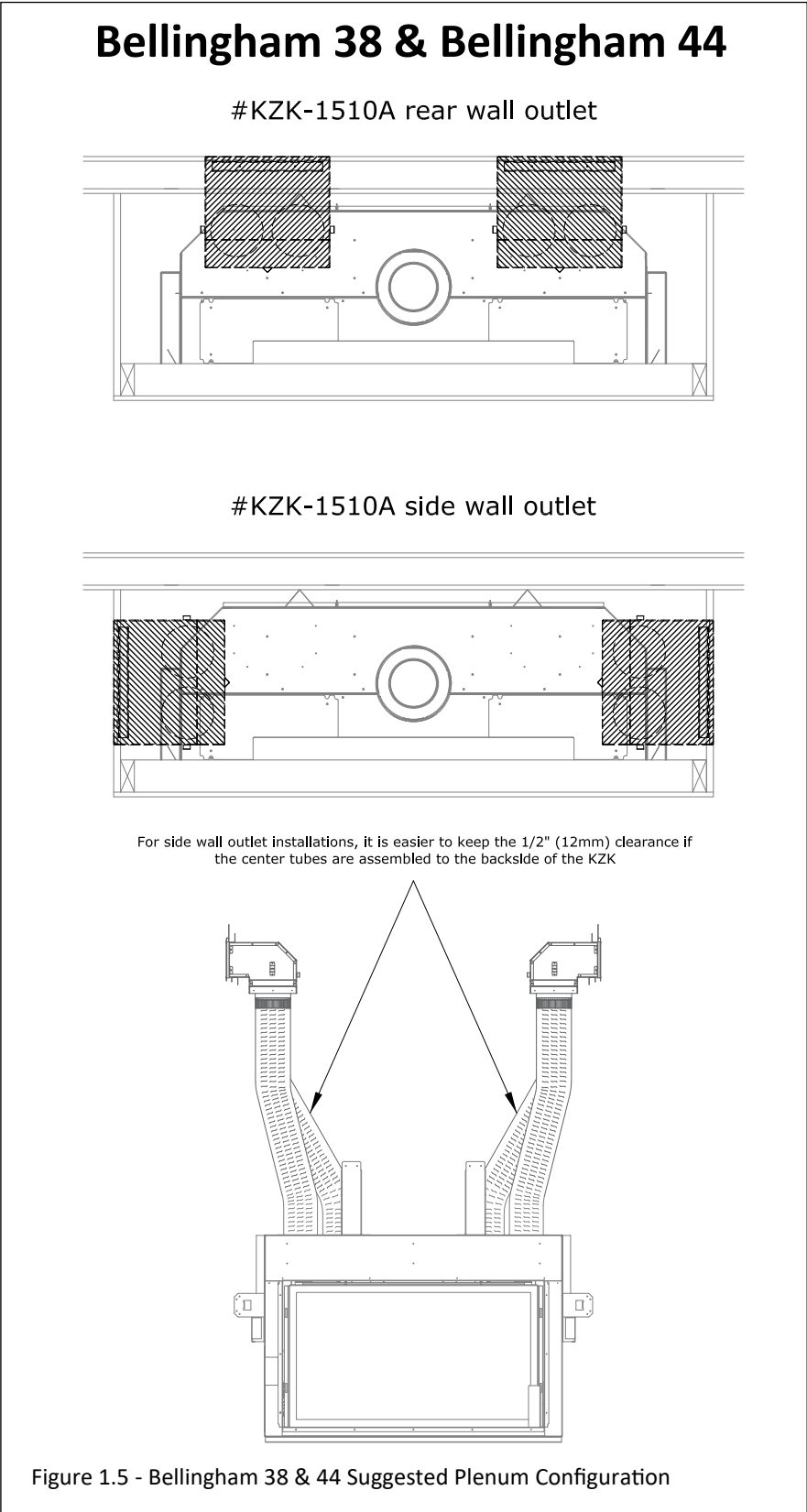
- When installing the #KZK-1510A, take in consideration the fireplace venting and the plenum tube configuration.
- The (2) plenums and the (2) air grilles in this kit are required and both must be installed.
- Figure 1.3 shows plenum configurations where they discharge to each side of the enclosure or out the rear of the enclosure. The "Rear Wall Outlet" can be in the same room or a separate room.



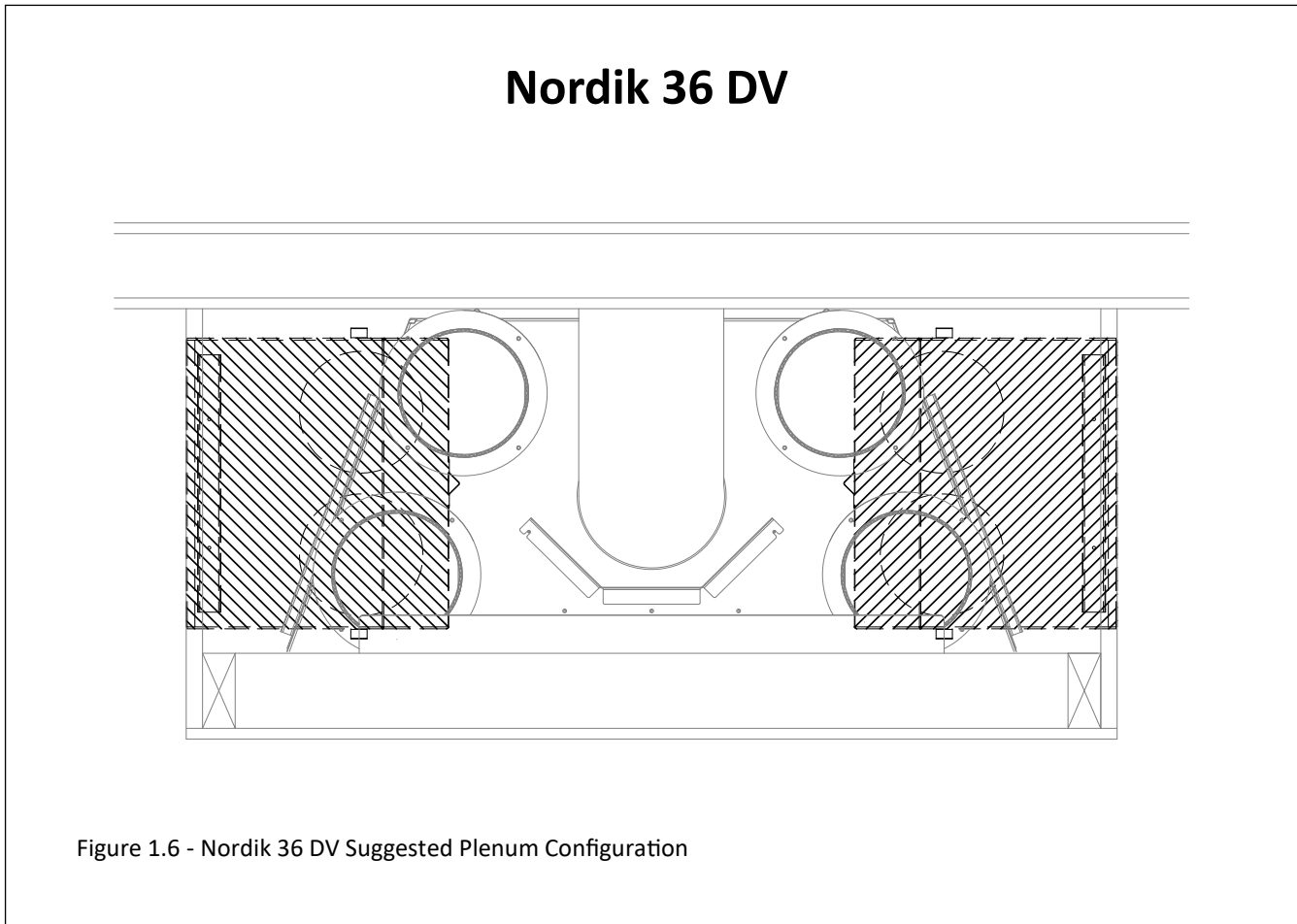
- Figure 1.4 shows plenum configuration where they discharge to either side of the enclosure. It is common to have a See thru unit installed where each side of the fireplace is in a different room and the plenums can discharge into either room.



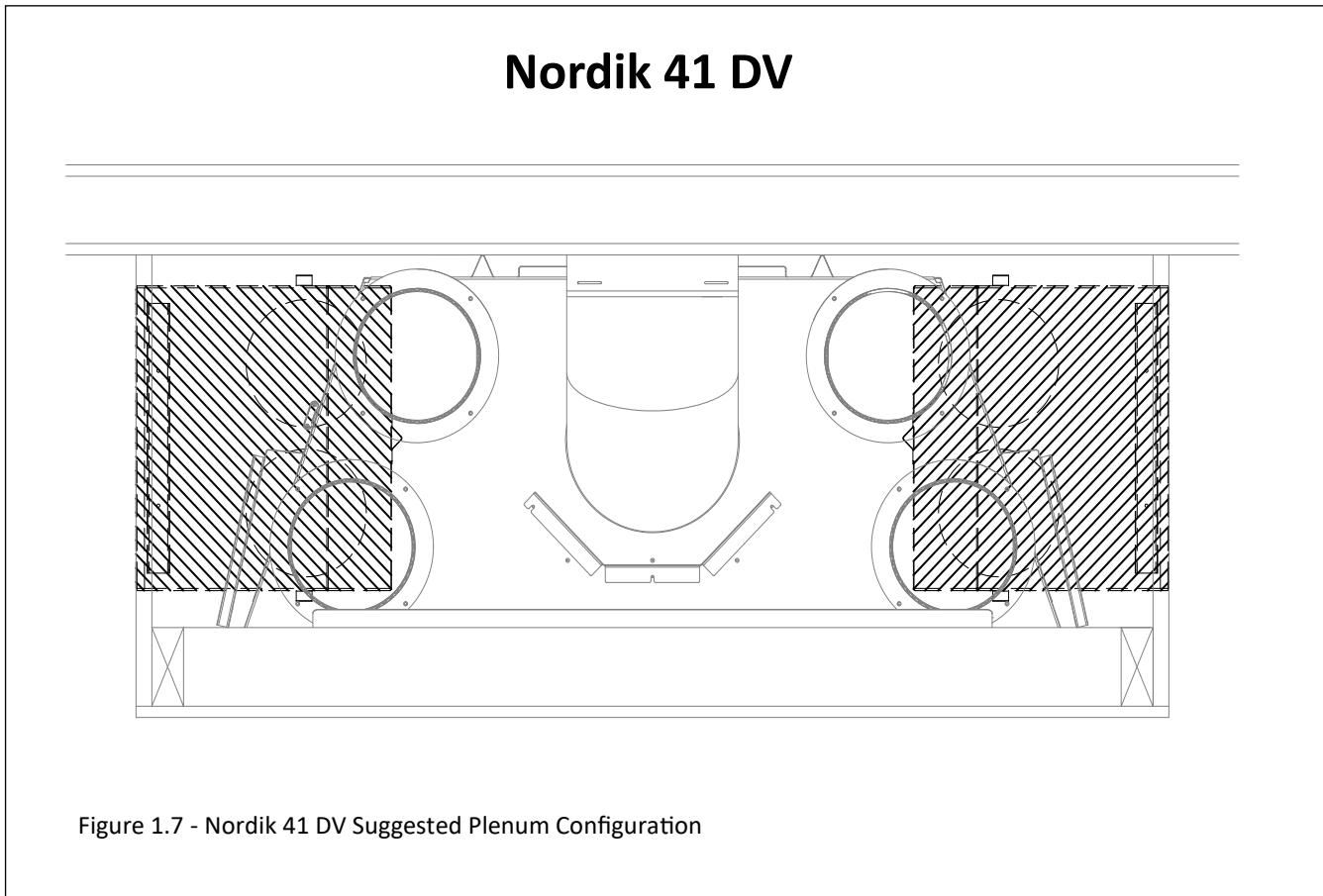
- Figure 1.5 shows plenum configurations where they discharge to each side of the enclosure or out the rear of the enclosure. The “Rear Wall Outlet” can be in the same room or a separate room.



- Figure 1.6 shows the suggested plenum configuration where the plenums discharge to each side of the enclosure. Note: This appliance does not allow the plenum configuration out the rear of the enclosure into a separate room.



- Figure 1.7 shows the suggested plenum configuration where the plenums discharge to each side of the enclosure. Note: This appliance does not allow the plenum configuration out the rear of the enclosure into a separate room.



1.3 Dimensions and Overview

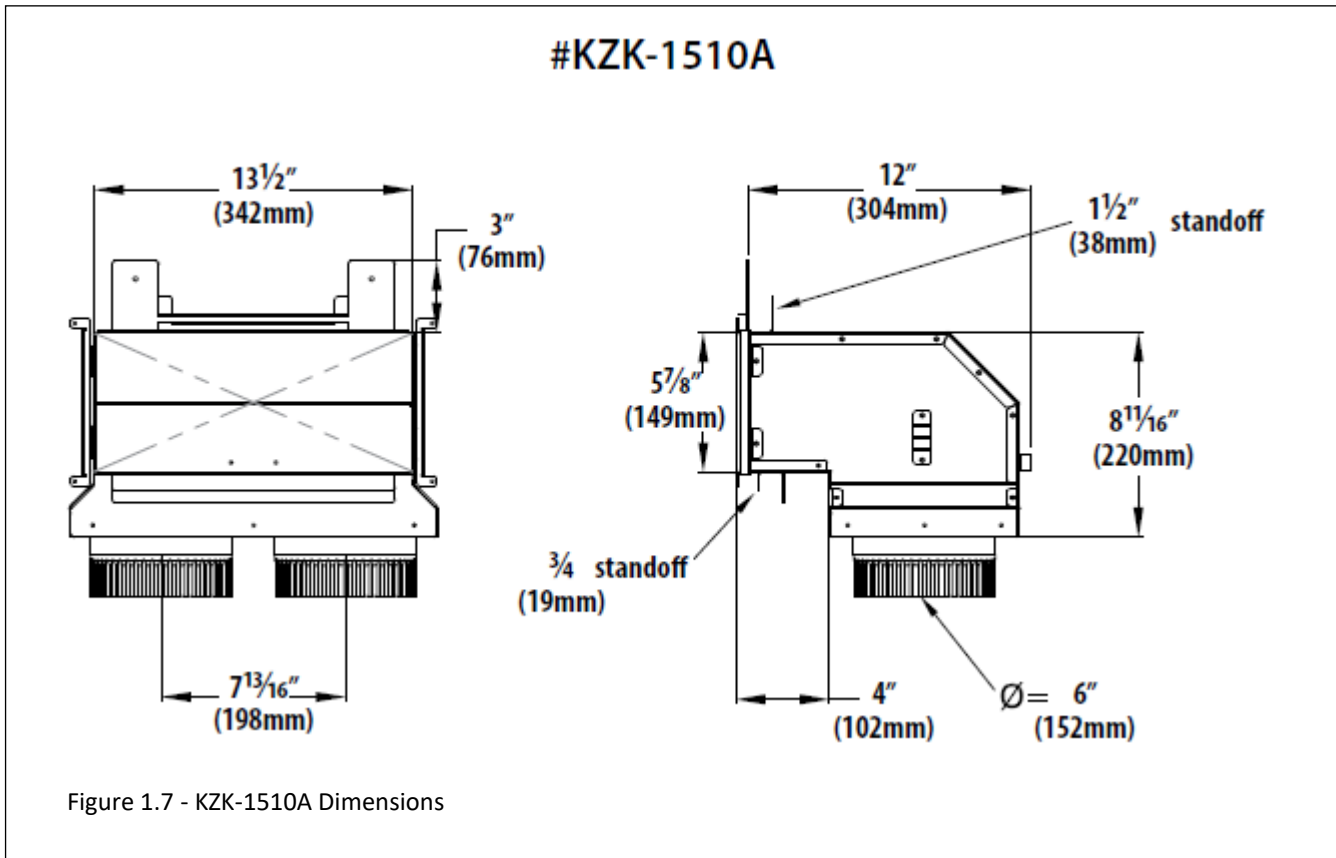


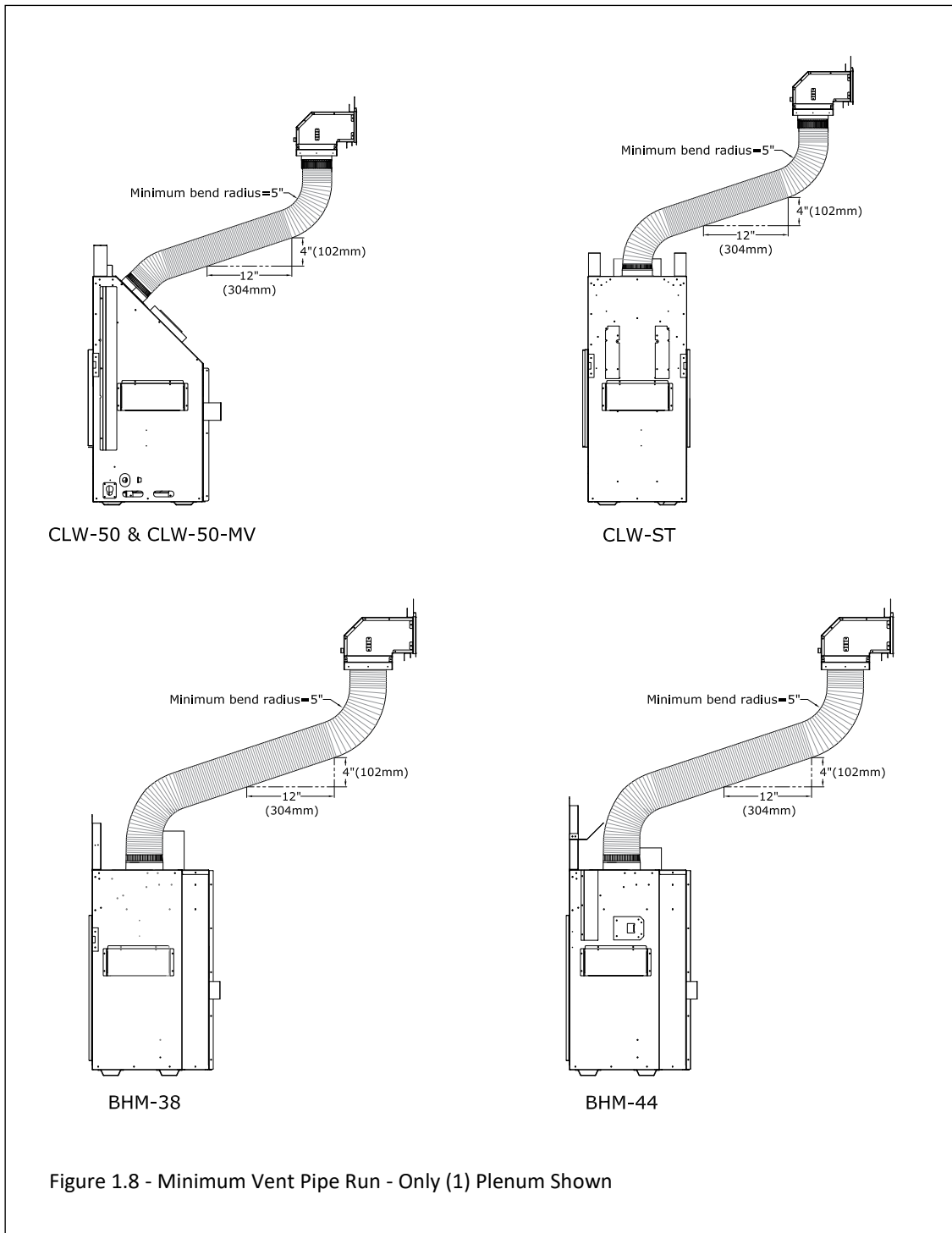
Figure 1.7 - KZK-1510A Dimensions

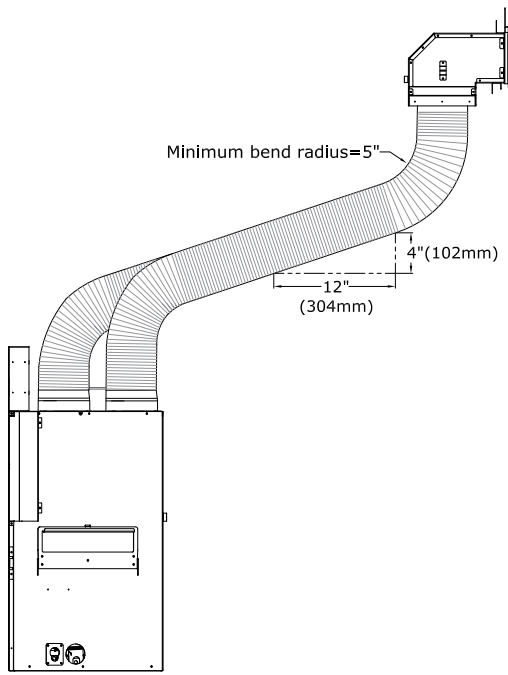
1.4 Air Duct Run

IMPORTANT: The air duct pipe cannot run horizontally without a vertical rise.

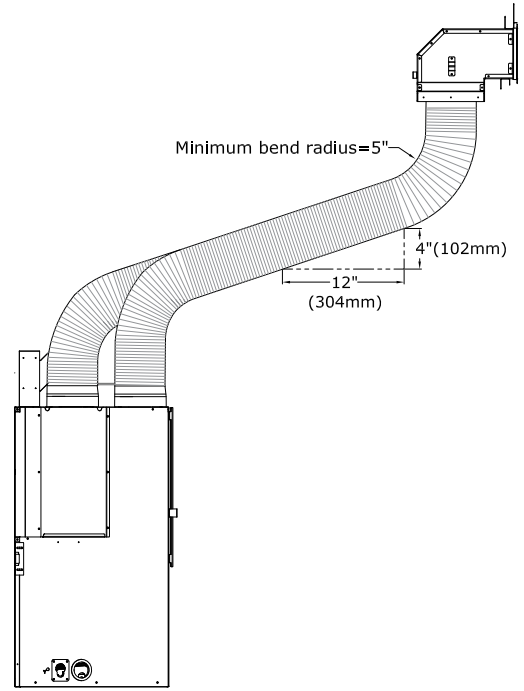
IMPORTANT: The 1/2" clearance around the air duct pipes must be maintained.

- Use #KZK-410-6 UL181 Class 0 Air Duct piping to connect the plenum(s) to the unit.
- Hussong Mfg. Co., Inc. requires pipes to be listed as UL181 Class 0 Air Duct to connect the plenum(s) to the unit.
- Maximum Vent Run: 20' (6m)





NDK-36



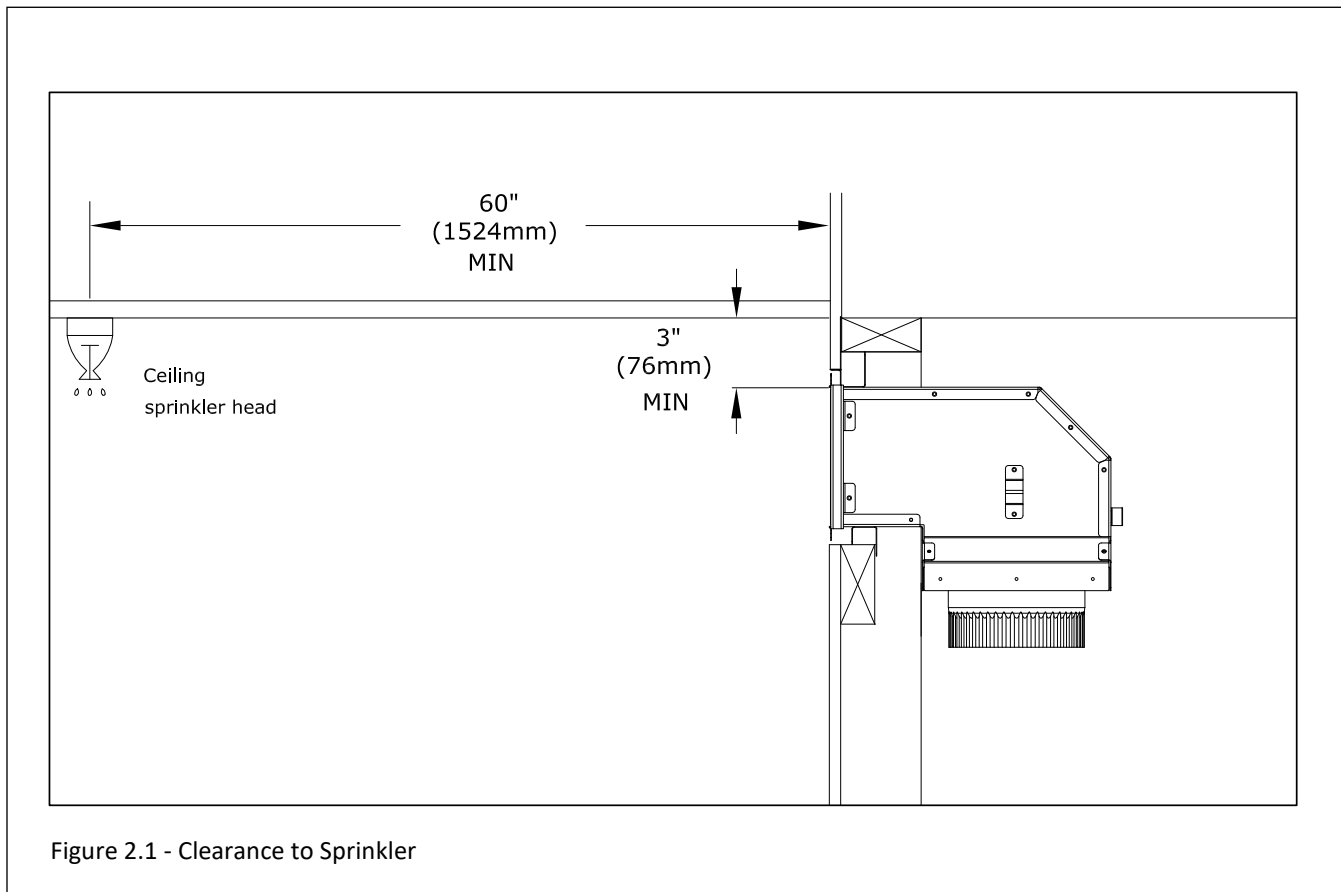
NDK-41

Figure 1.9 - Minimum Vent Pipe Run - Only (1) Plenum Shown

2.0 Framing and Clearances

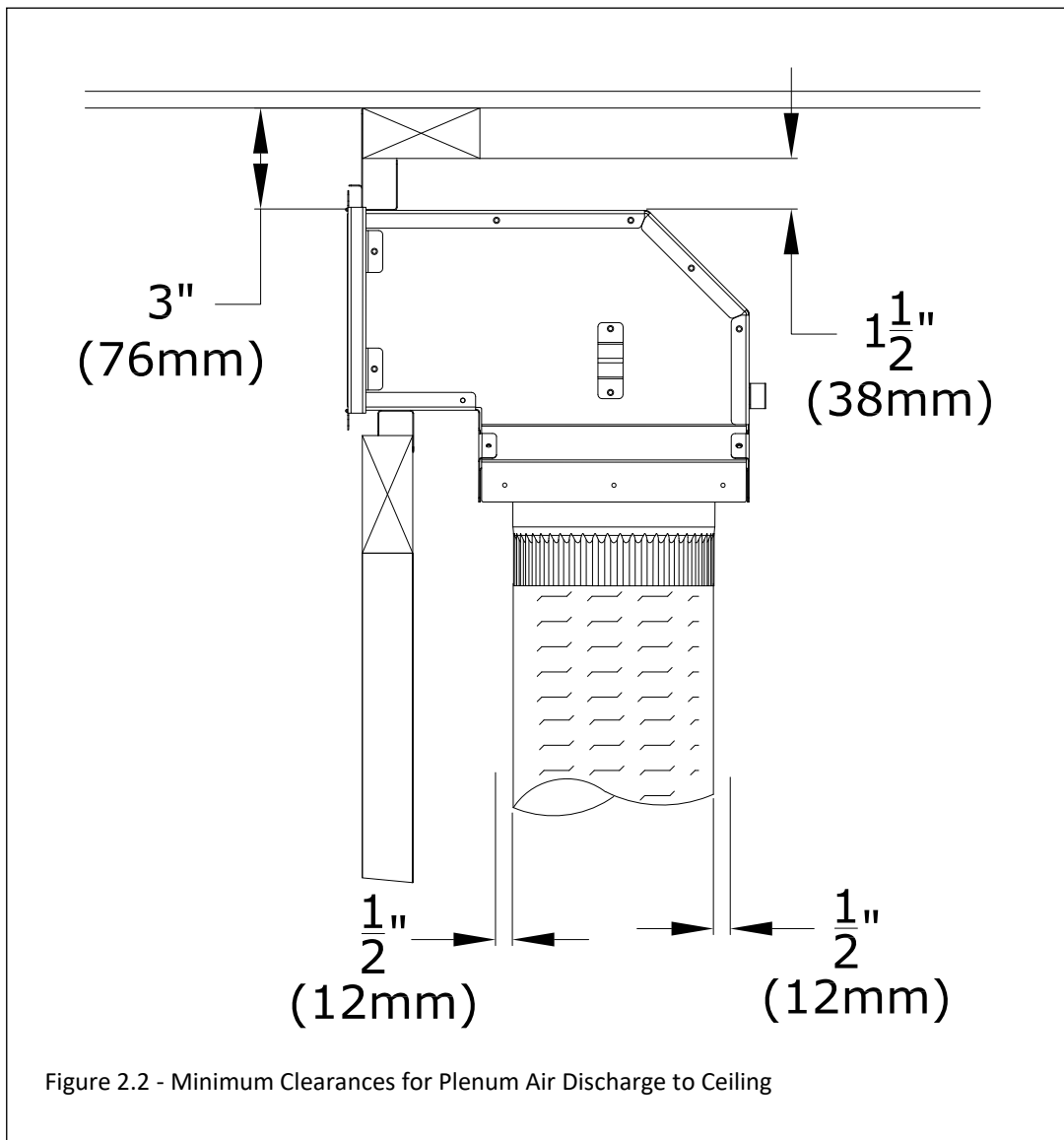
2.1 Clearance to Sprinkler

- In a situation where a sprinkler head is installed within the proximity to a #KZK discharge opening, the diagram below MUST be followed.
- The distance between a sprinkler head and discharge opening cannot be less than 60" (1524mm) in length at every point from the origin of the discharge opening. You must also verify the sprinkler head sensor is set to the proper heat setting so it does not activate when the room heats up from the fireplace being operated normally.
- Please follow local building codes to determine what temperature setting is relevant for your installation.



2.2 Framing

- Shown in this section are rough opening dimensions and clearances for the plenums, unit installation, and unit installation with a TV recess construction.
- Rough opening framing dimensions should allow for wall covering thickness and facing materials.
- Throughout this section plenum framing dimensions shown from the base of the fireplace are minimum dimensions from the floor.



Callaway 50 & Callaway 50 MV

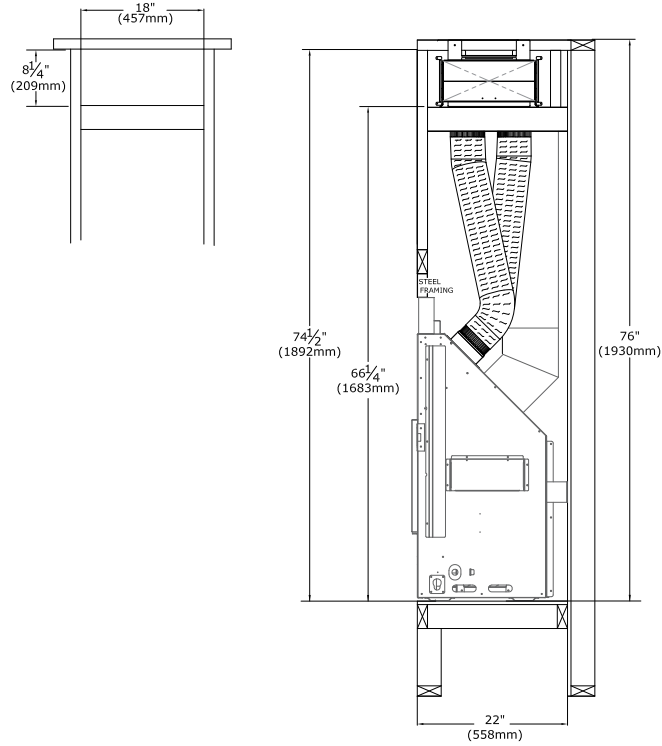


Figure 2.3 - Callaway 50 Framing for KZK-1510A

Callaway 50 & Callaway 50 MV

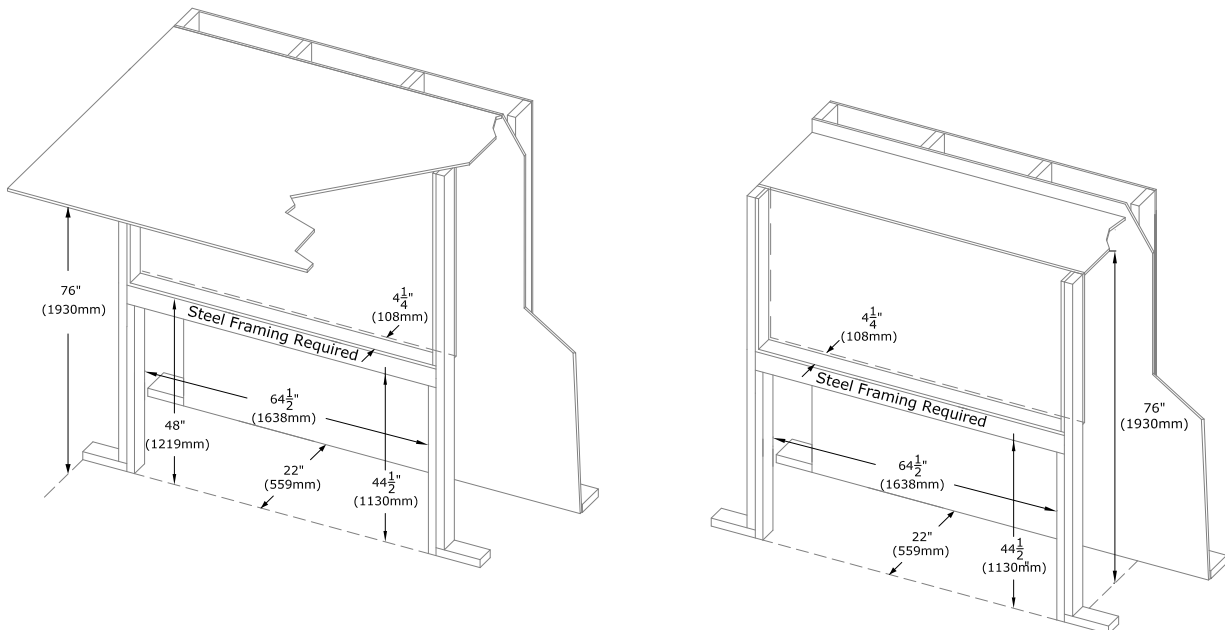


Figure 2.4 - Callaway 50 Fireplace Rough Opening

Callaway See Thru

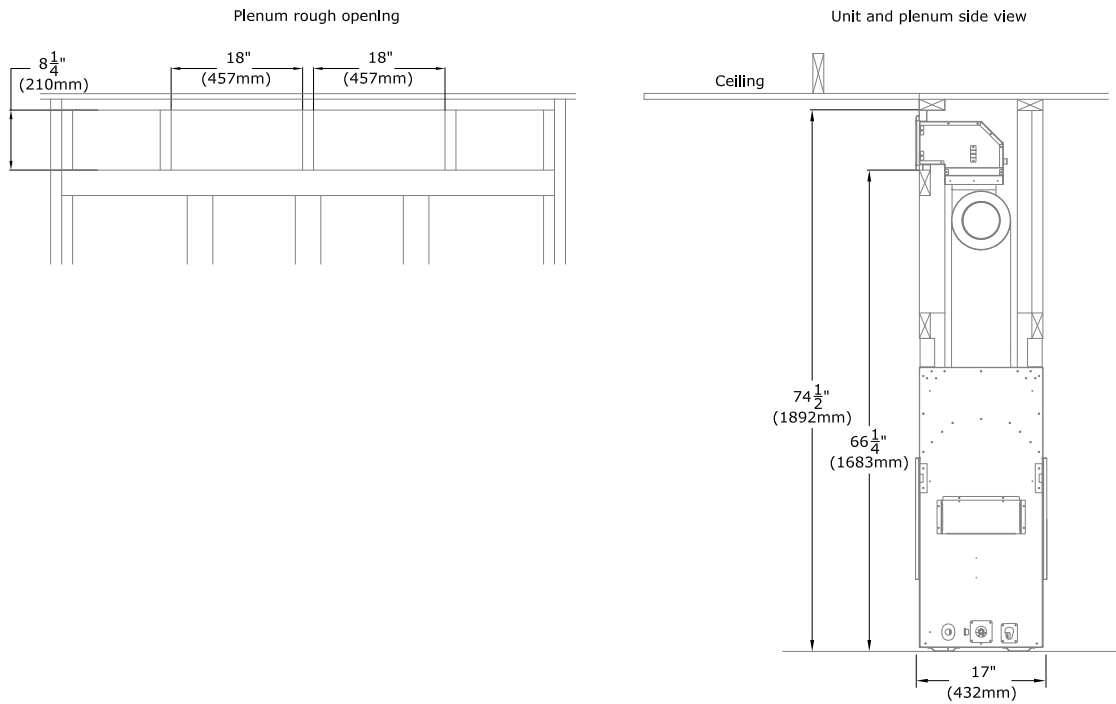


Figure 2.5 - Callaway See Thru Framing for KZK-1510A

Callaway See Thru

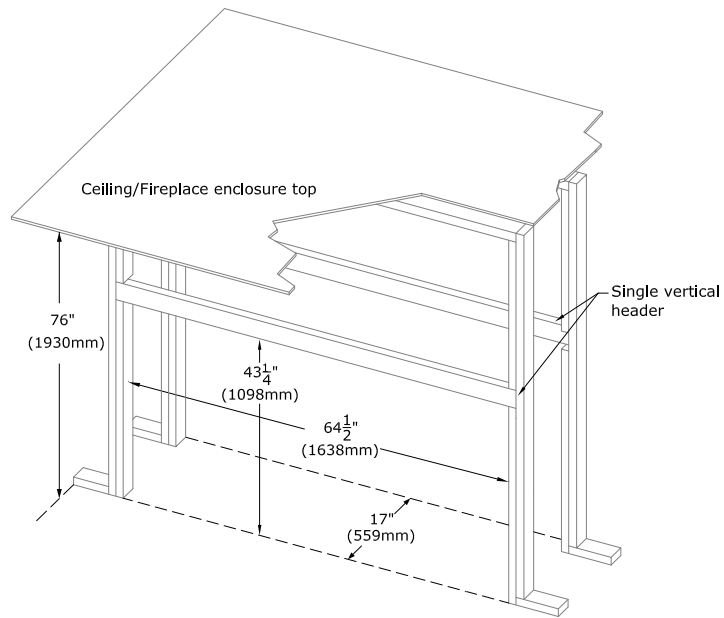


Figure 2.6 - Callaway See Thru Fireplace Rough Opening

Bellingham 38

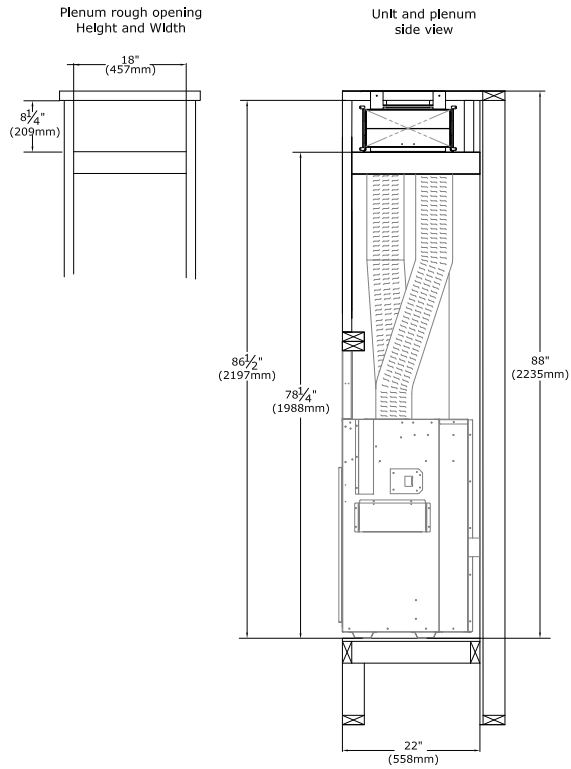


Figure 2.7 - Bellingham 38 Framing for KZK-1510A

Bellingham 38

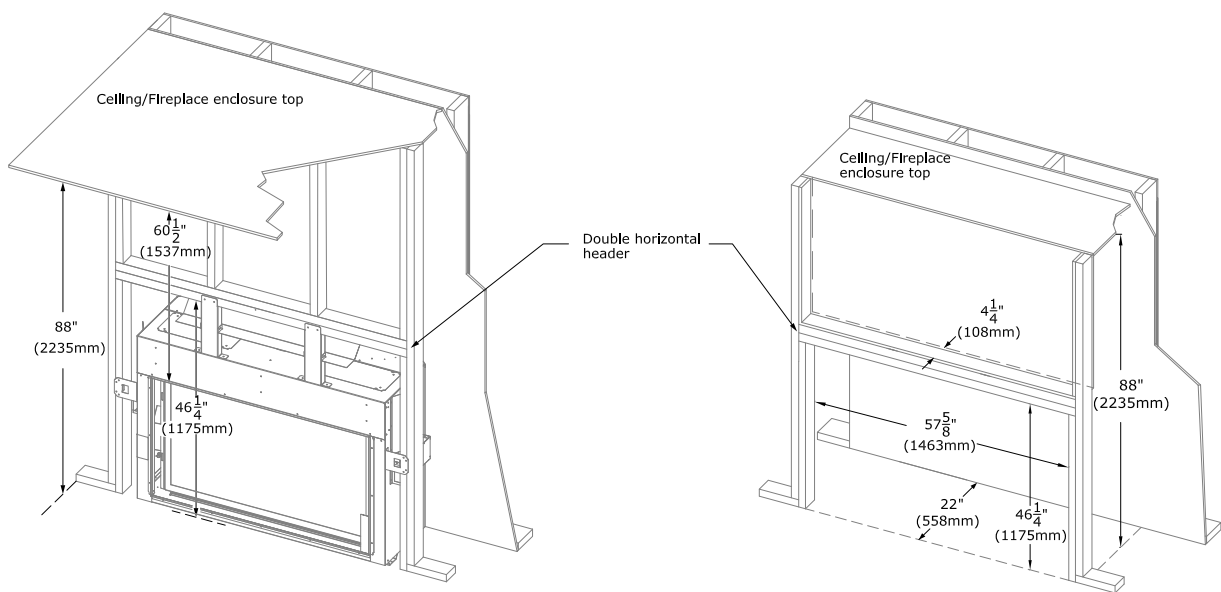


Figure 2.8 - Bellingham 38 Fireplace Rough Opening

Bellingham 44

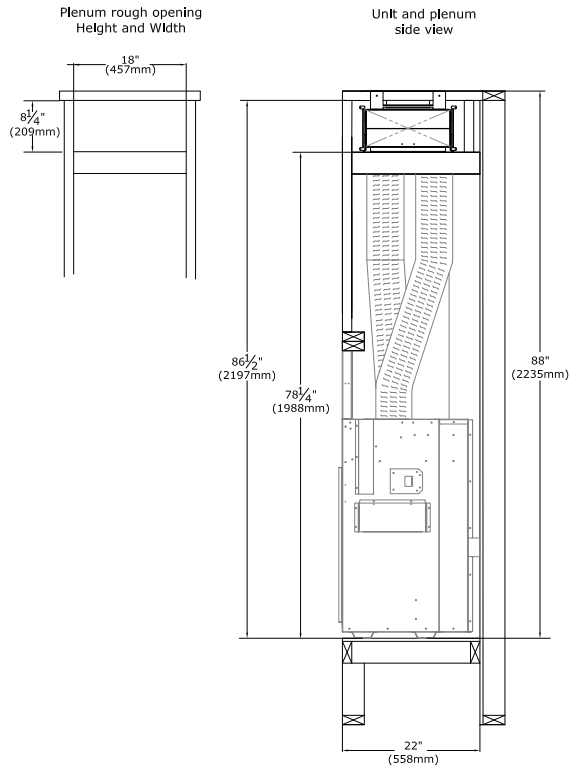


Figure 2.9 - Bellingham 44 Framing for KZK-1510A

Bellingham 44

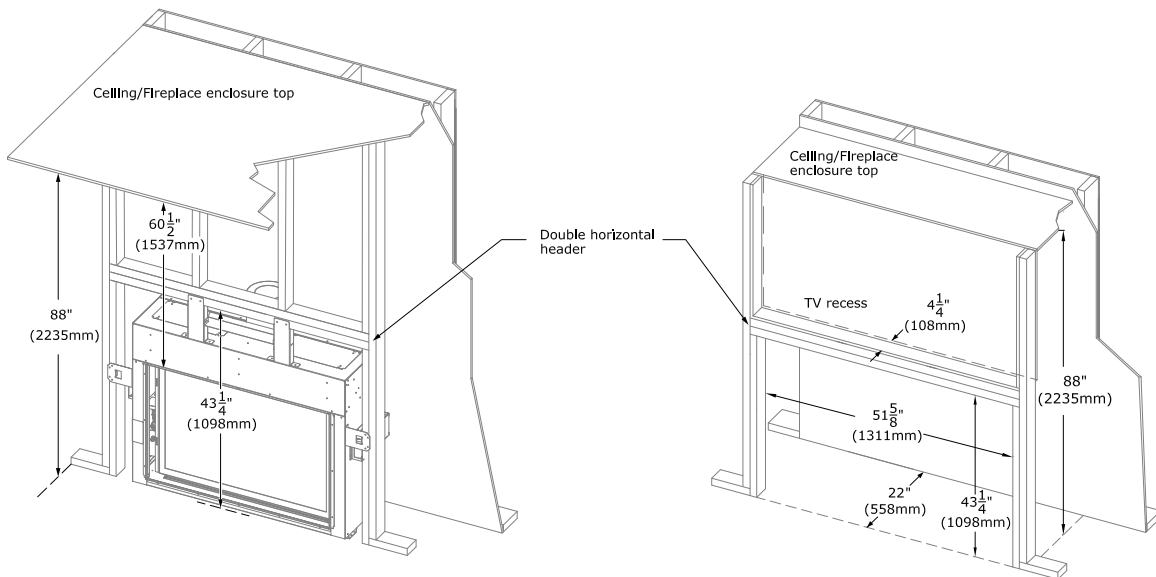
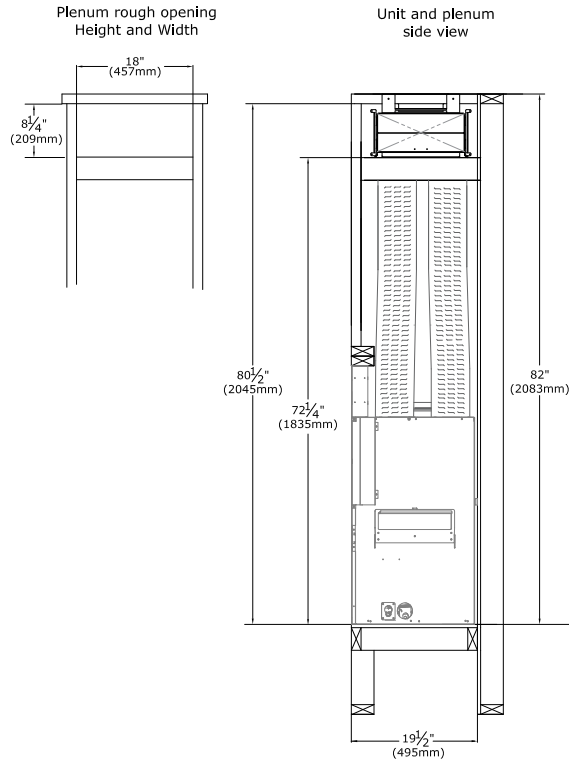


Figure 2.10 - Bellingham 44 Fireplace Rough Opening

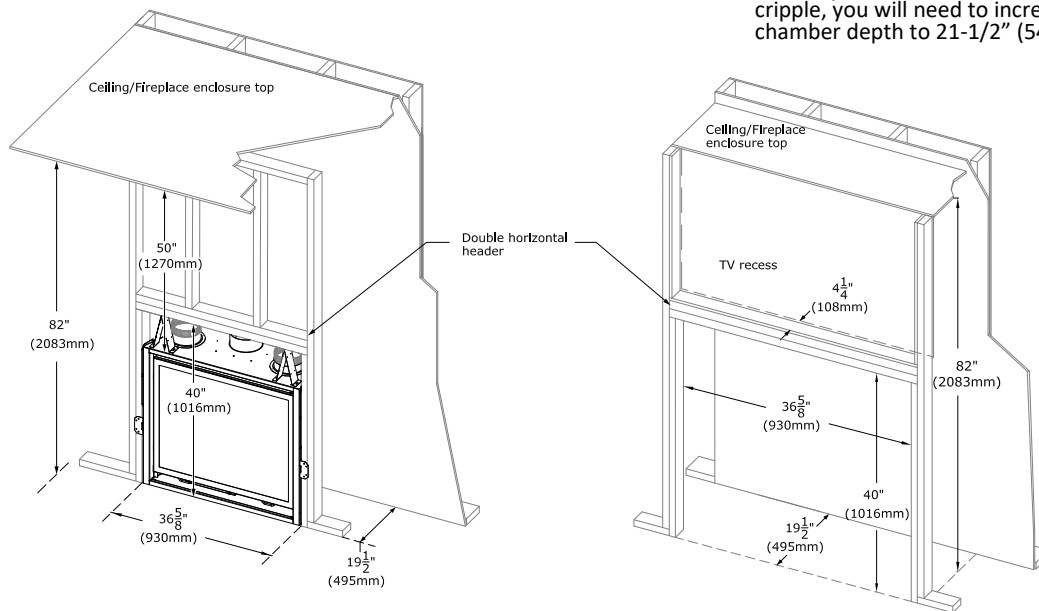
Nordik 36 DV



Note: At minimum chamber depth you will need to notch out the cripple to maintain clearances to the KZK plenum. If you do not want to notch the cripple, you will need to increase the chamber depth to 21-1/2" (546mm).

Figure 2.11 - Nordik 36 DV Framing for KZK-1510A

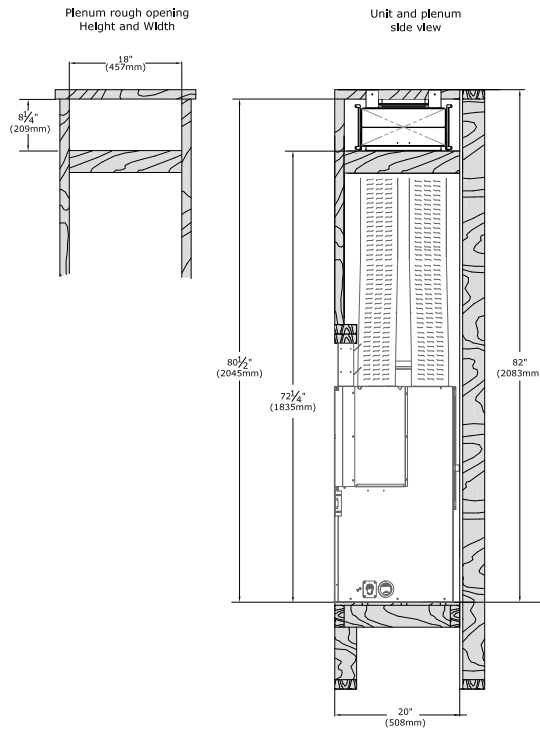
Nordik 36 DV



Note: At minimum chamber depth you will need to notch out the cripple to maintain clearances to the KZK plenum. If you do not want to notch the cripple, you will need to increase the chamber depth to 21-1/2" (546mm).

Figure 2.12 - Nordik 36 DV Fireplace Rough Opening

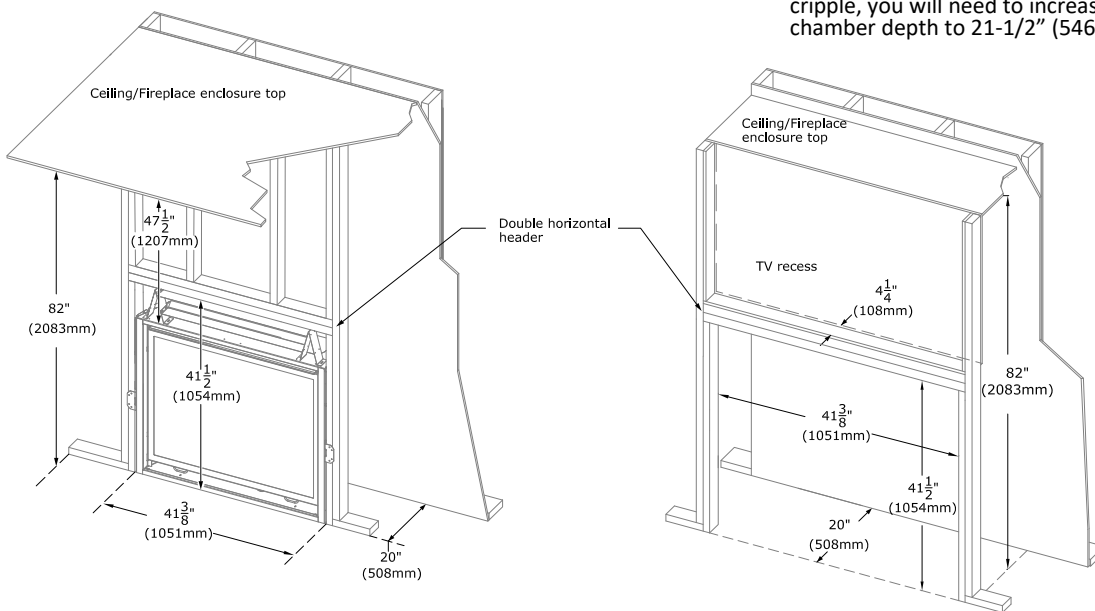
Nordik 41 DV



Note: At minimum chamber depth you will need to notch out the cripple to maintain clearances to the KZK plenum. If you do not want to notch the cripple, you will need to increase the chamber depth to 21-1/2" (546mm).

Figure 2.13 - Nordik 41 DV Framing for KZK-1510A

Nordik 41 DV



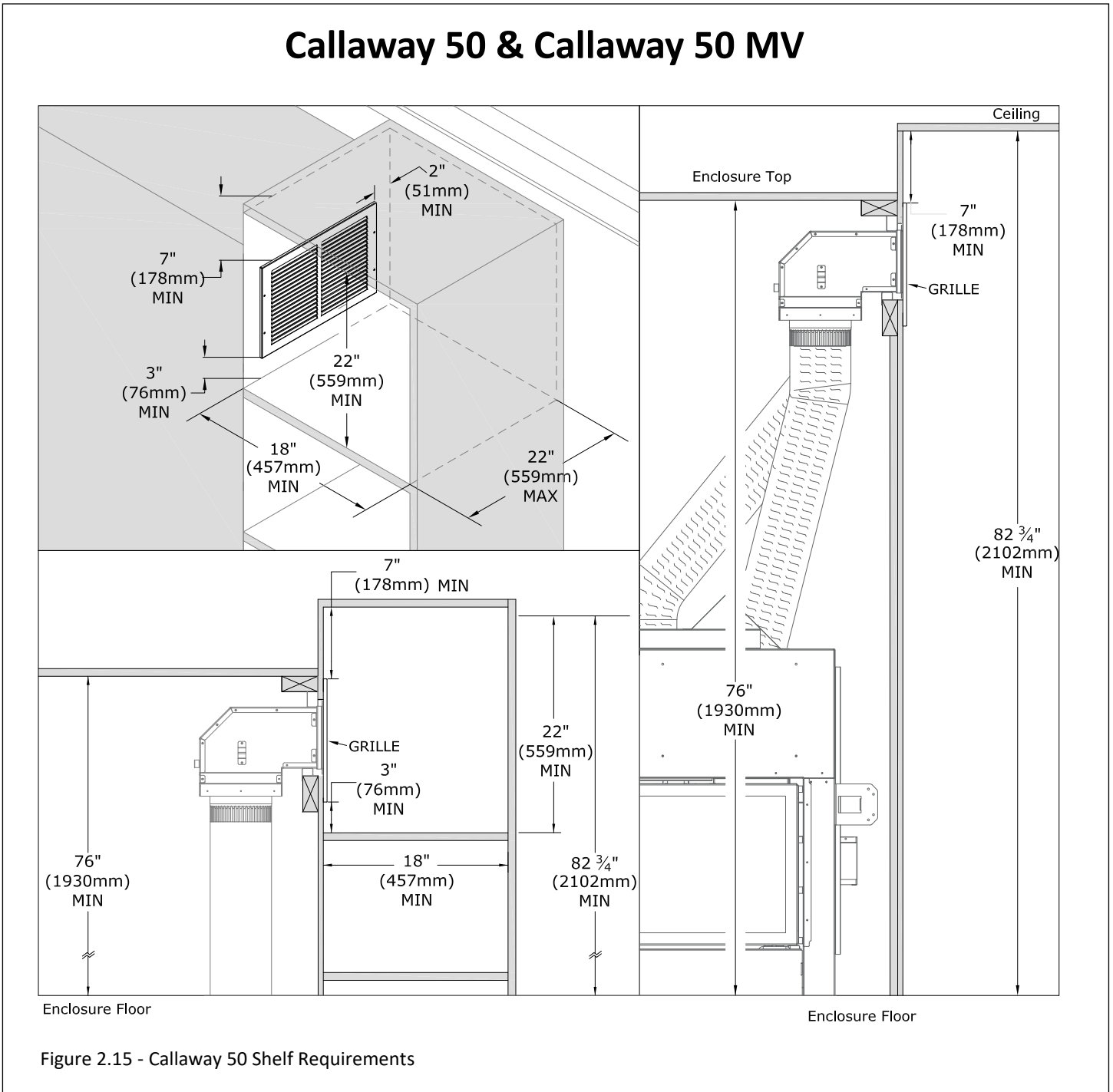
Note: At minimum chamber depth you will need to notch out the cripple to maintain clearances to the KZK plenum. If you do not want to notch the cripple, you will need to increase the chamber depth to 21-1/2" (546mm).

Figure 2.14 - Nordik 41 DV Fireplace Rough Opening

2.3 Shelf Requirements

- The drawings in this section show the framing requirements if you desire the air discharge opening to be located within the bump-out or bookshelf framing.

NOTE: For the CLW-50, take careful consideration in the difference of the minimum chamber height of the fireplace compared to the minimum height of the shelf enclosure. If you are trying to install shelves alongside of a Callaway 50 it may be easier to increase the chamber height of the fireplace enclosure to match the minimum height needed for the shelf application.



Bellingham 38 & Bellingham 44

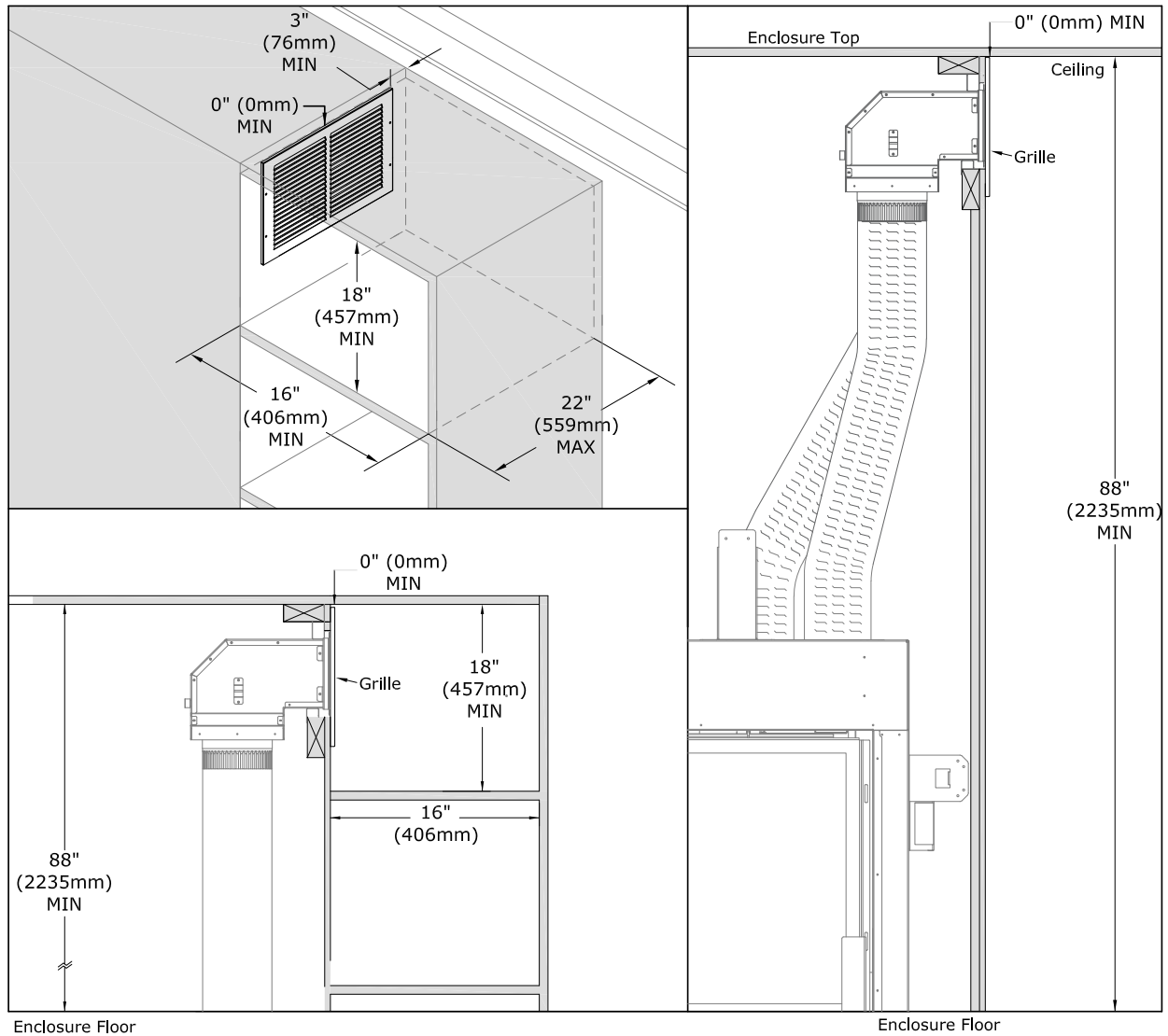


Figure 2.16 - Bellingham 38 & Bellingham 44 Shelf Requirements

Nordik 36 DV

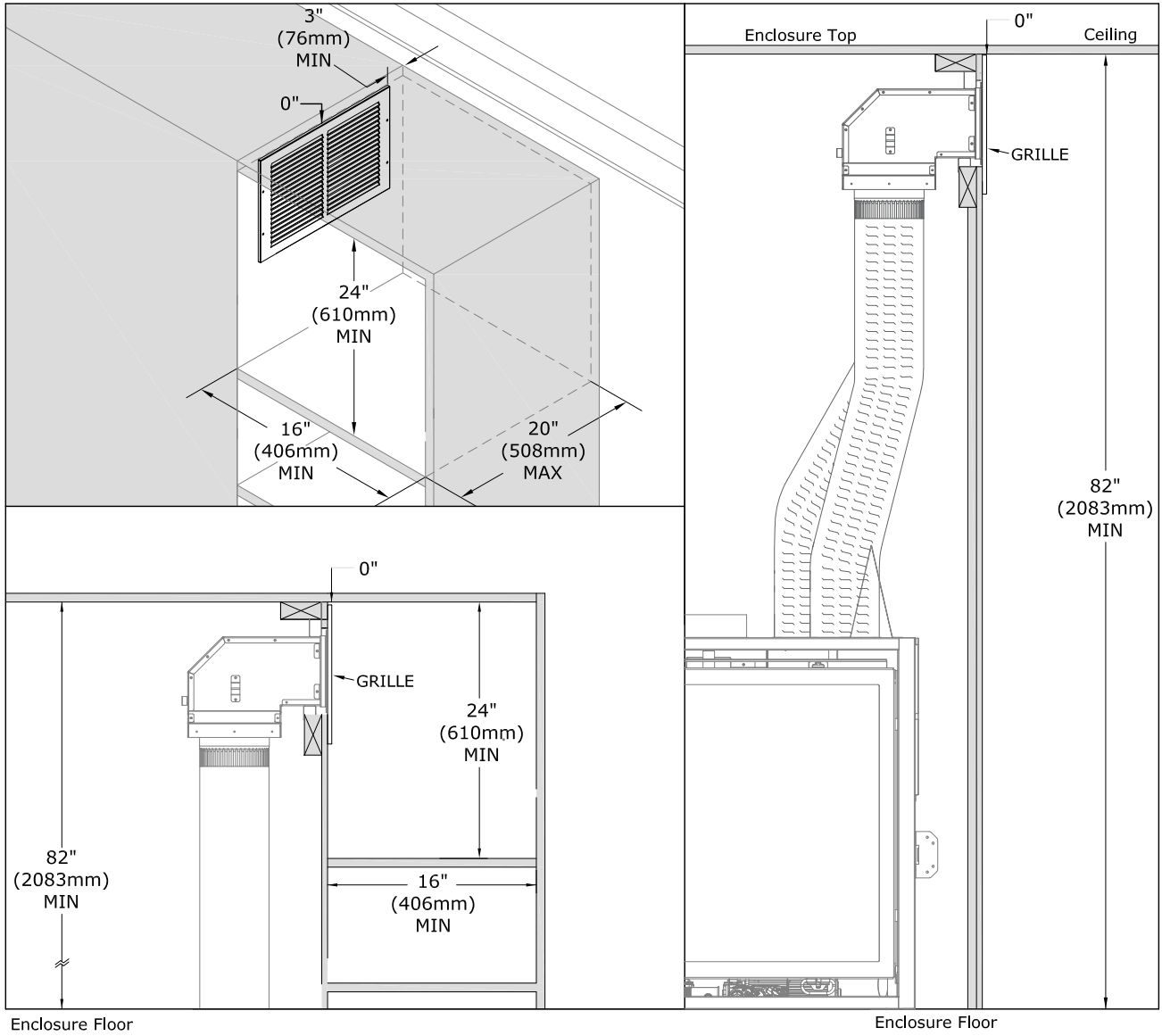


Figure 2.17 - Nordik 36 DV Shelf Requirements

Nordik 41 DV

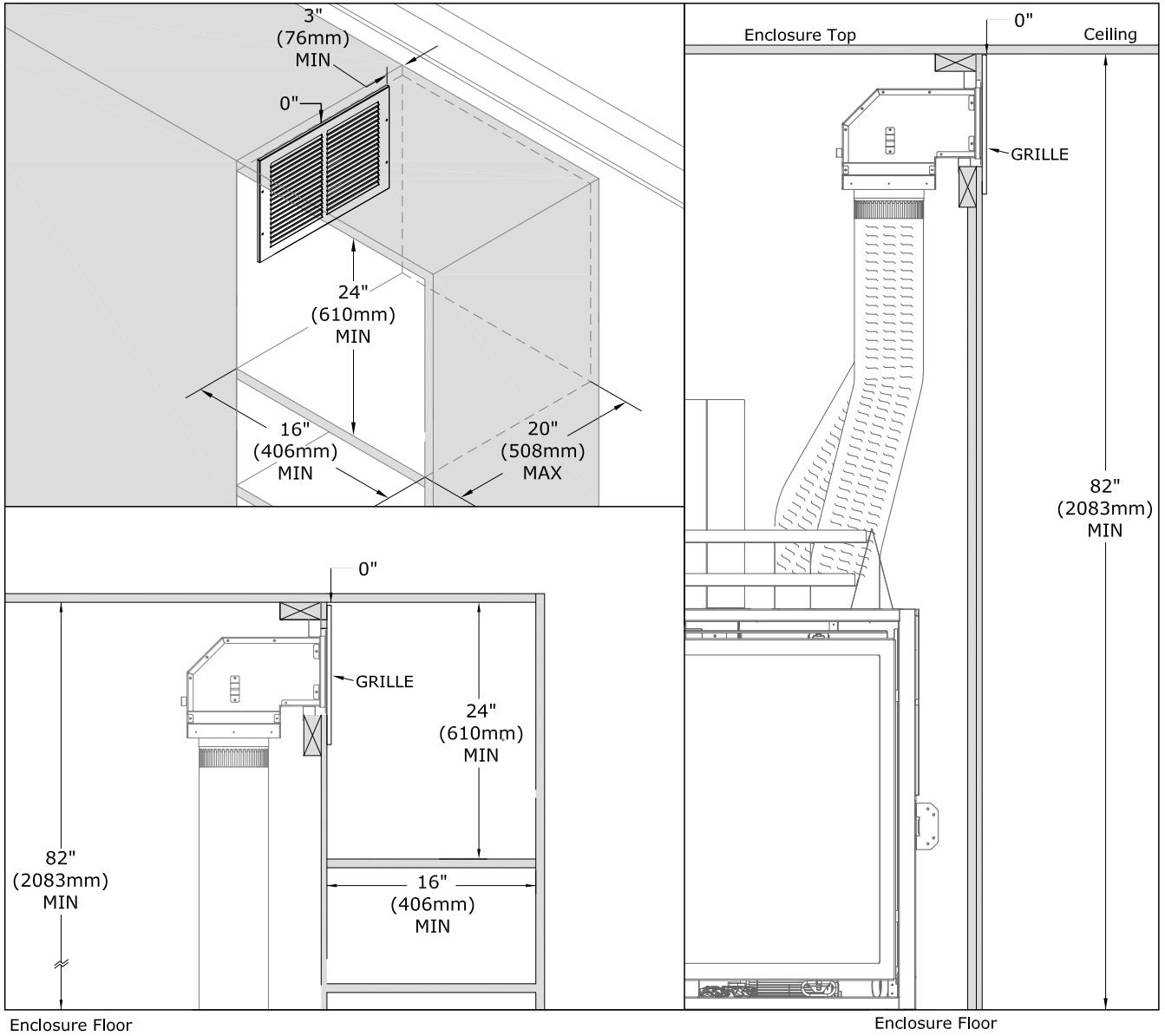
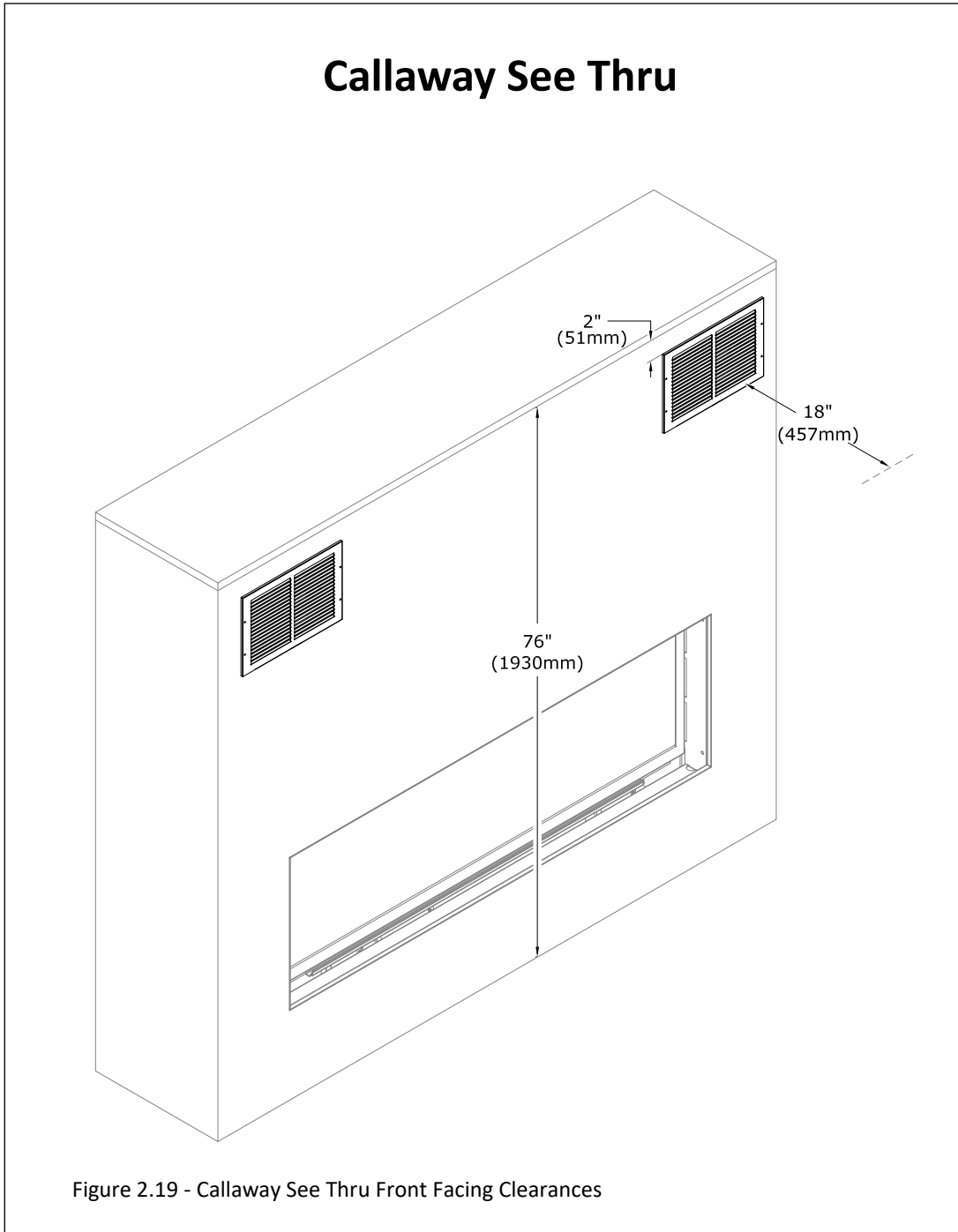


Figure 2.18 - Nordik 41 DV Shelf Requirements

2.4 Front Facing Clearance

- FIGURE 2.16 below shows the front facing clearance requirements for the CLW-ST for the KZK-1510A air discharge opening.



3.0 Facing and Finishing

See below for some fireplace specific finishing material information:

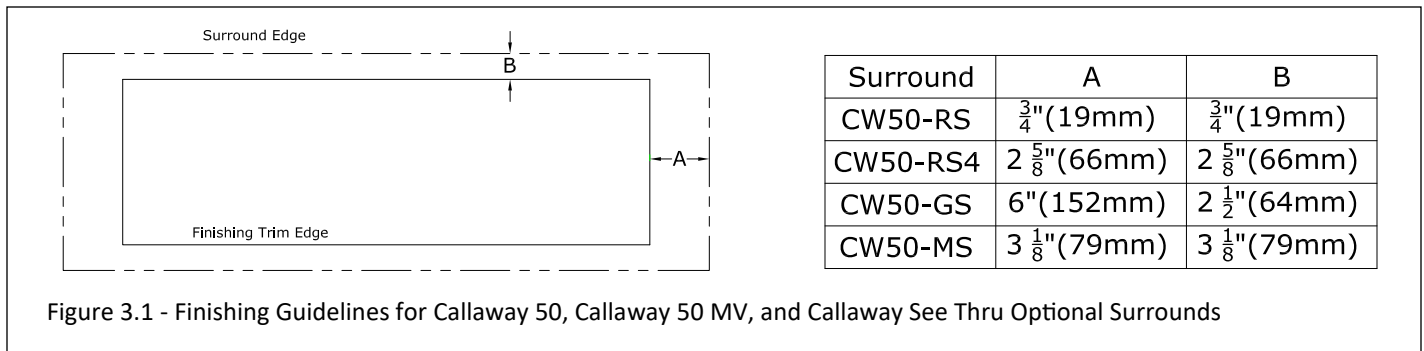
Callaway 50, Callaway 50 MV, and Callaway See Thru

The Callaway 50, Callaway 50 MV, and Callaway See Thru are equipped only with a safety screen that fits inside the finishing edge. Finishing material, mantel projections, or hearth projections may butt up against the finishing edge.

- If you are purchasing any of the optional surrounds finishing material up to 1-3/4" in total thickness can continue to be finished up to the fireplace finishing edge and the optional surround can be installed over the top of the finishing material. These optional surrounds have a slotted bracket to secure the surround to the fireplace that allow this installation over up to 1-3/4" thick finishing material.
- If you have combined thickness of finishing material over 1-3/4" and you want to use an optional surround you will have to butt the finishing material up to the edge of the surround. Reference Figure 3.1 to know the measurement of where to stop the finishing material away from the fireplace finishing edge to allow installation of the surround.
- The optional surround must be able to be removed for service work. Ensure the finishing material does not inhibit this.
- The optional surrounds for the Callaway Series can provide both a decorative aspect and provide benefit to cover the edge of finishing material.

Finishing Guidelines for Optional Surrounds - Callaway Series

- FIGURE 3.1 shows where to end finishing materials, when measuring from the finishing edge, to allow installation of any optional surround. Most finishing material will not fit behind the optional surround(s) when it is installed.
- Measurement 'A' shows the space to leave on each side.
- Measurement 'B' shows the space to leave on the top and the bottom.



Bellingham 38 and Bellingham 44

The Bellingham 38 and Bellingham 44 are equipped only with a safety screen that fits inside the finishing edge. Finishing material, mantel projections, and hearth projections may butt up against the finishing edge.

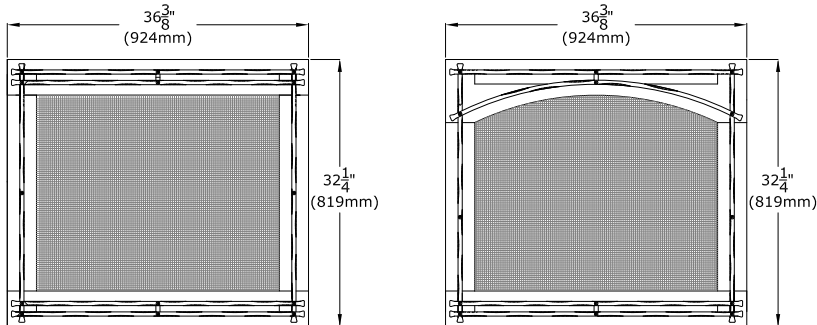
- If you are purchasing the optional rectangle surround (Part #BH38-RS or #BH44-RS) finishing material up to 1-1/4" in total thickness can continue to be finished up to the fireplace finishing edge and the optional surround can be installed over the top of the finishing material. These optional surrounds have a slotted bracket to secure the surround to the fireplace that allow this installation over up to 1-1/4" thick finishing material.
- If you have combined thickness of finishing material over 1-1/4" we recommend butting the finishing material up against the finishing edge and not using the optional surround.
- The optional surround must be able to be removed for service work. Ensure the finishing material does not inhibit this.

Nordik 36 DV

The Nordik 36 DV is supplied with a “Finishing Trim Kit”. It is highly recommended that this kit is installed and used with the fire-place. The finishing trim kit provides a finishing edge for finishing material, mantel projections, and hearth projections to butt up against while providing the necessary clearance for the safety screen barrier to be removed.

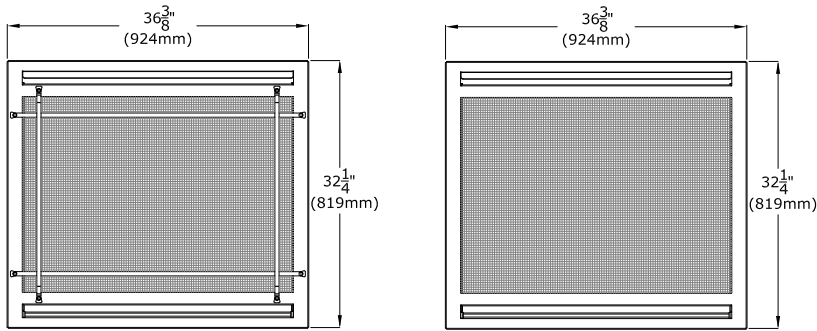
IMPORTANT: The B36-PSF2 and B36-FRSF2 (Figure 3.3) are **ONLY** approved for use when the Nordik 36 DV is installed with the #KZK-1510A. The other (4) safety barriers shown in Figure 3.2 are approved in all installation scenarios.

Safety Barriers Approved for All Design Options (Standard or Kozy Zone Kit Installations)



B36R-MSF2

B36A-MSF2

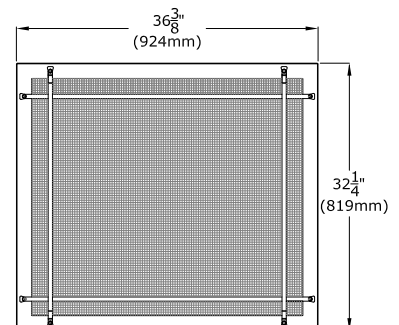


NK36-PSVF

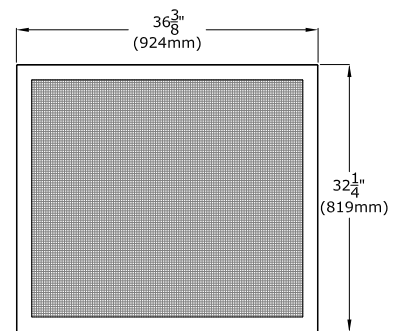
NK36-RSVF

Figure 3.2 - Safety Barriers Group #1

Safety Barriers Approved for Kozy Zone Kit Installations ONLY



B36-PSF2



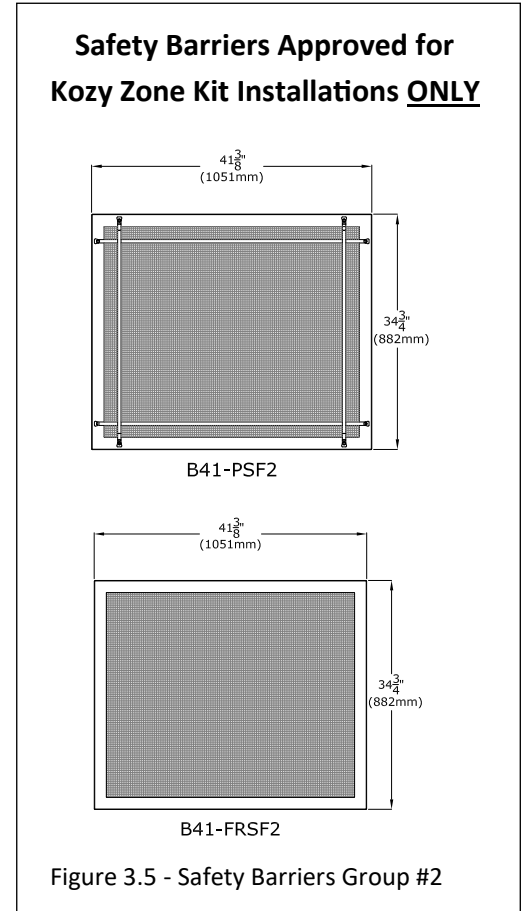
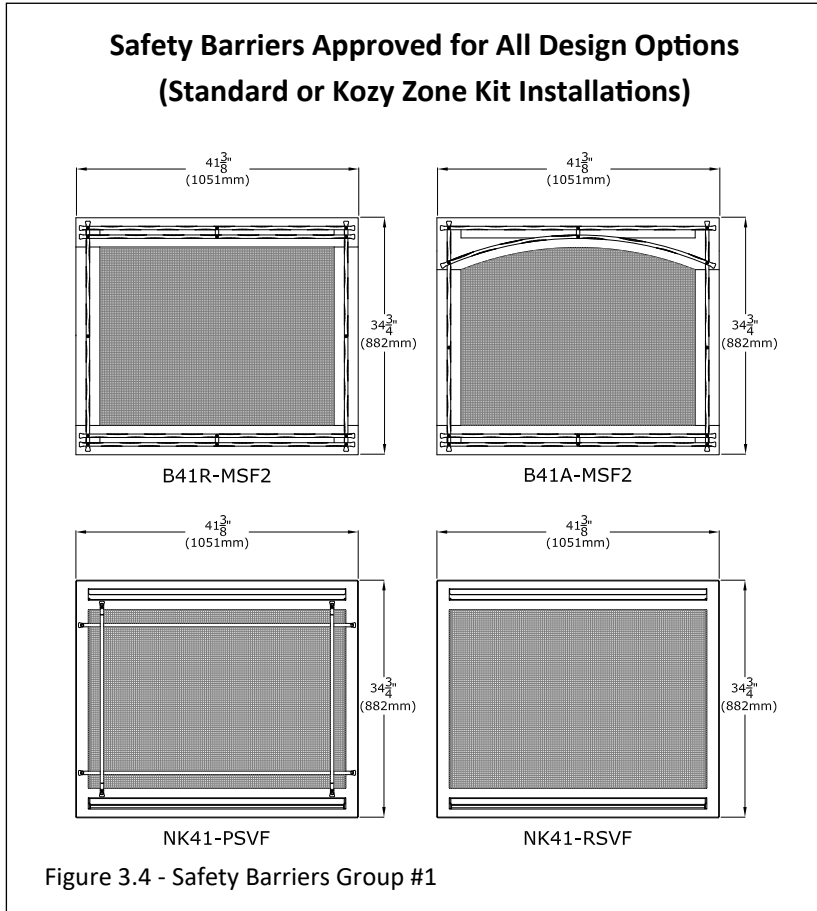
B36-FRSF2

Figure 3.3 - Safety Barriers Group #2

Nordik 41 DV

The Nordik 41 DV is supplied with a “Finishing Trim Kit”. It is highly recommended that this kit is installed and used with the fire-place. The finishing trim kit provides a finishing edge for finishing material, mantel projections, and hearth projections to butt up against while providing the necessary clearance for the safety screen barrier to be removed.

IMPORTANT: The B41-PSF2 and B41-FRSF2 (Figure 3.5) are **ONLY** approved for use when the Nordik 41 DV is installed with the #KZK-1510A. The other (4) safety barriers shown in Figure 3.4 are approved in all installation scenarios.



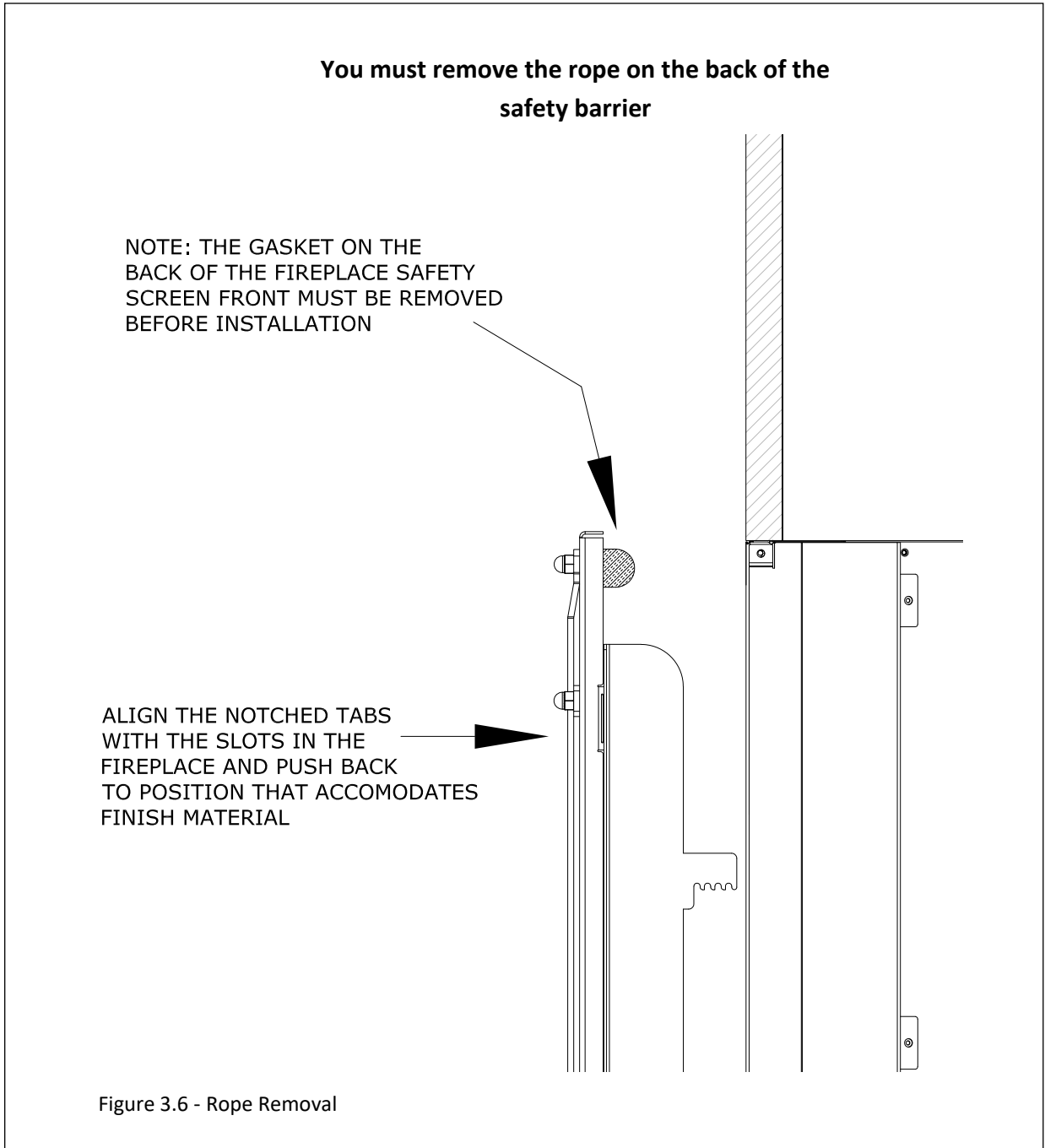
KZK Plenum

Section 3.2 will provide information about finishing material around the KZK plenum.

Nordik 36 DV & Nordik 41 DV

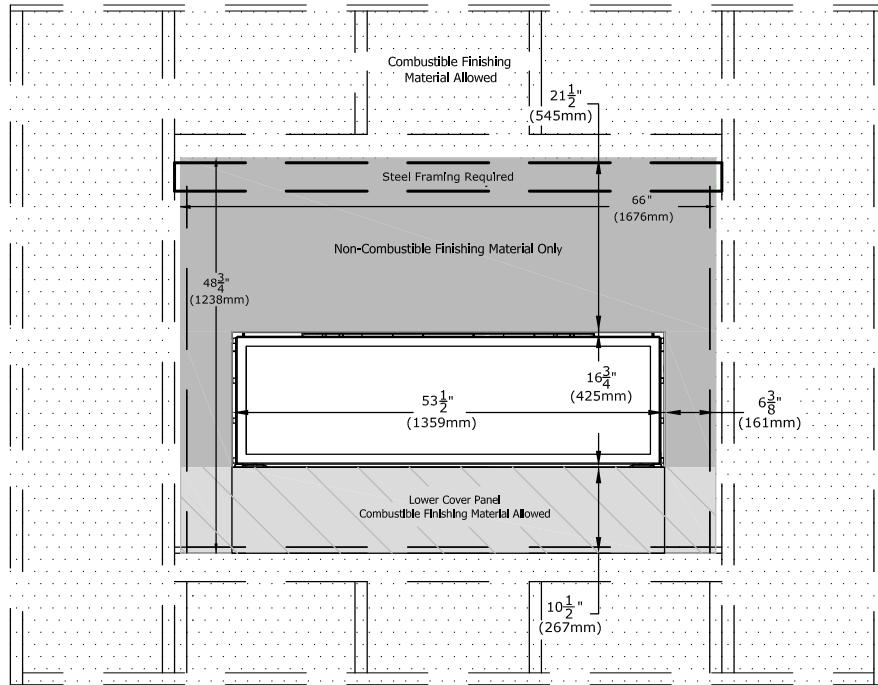
IMPORTANT: When using the #B36-FRSF2 or #B36-PSF2 with the Nordik 36 DV the rope on the back of the safety barrier must be removed before installing the safety barrier.

IMPORTANT: When using the #B41-FRSF2 or #B41-PSF2 with the Nordik 41 DV the rope on the back of the safety barrier must be removed before installing the safety barrier.



3.1 Non-Combustible Requirements

Callaway 50 & Callaway 50 MV



Screw Pattern Locations

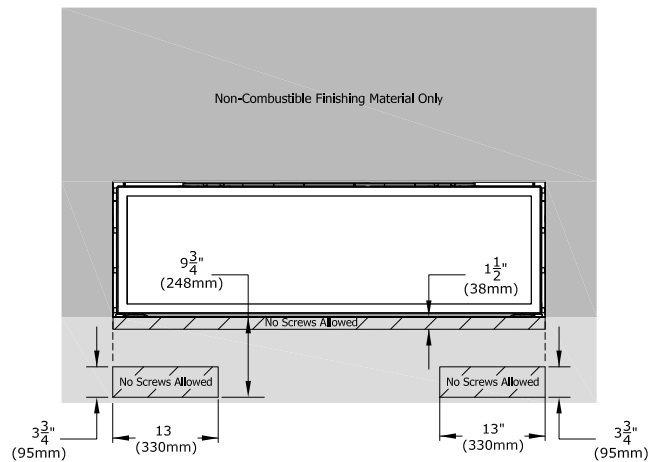
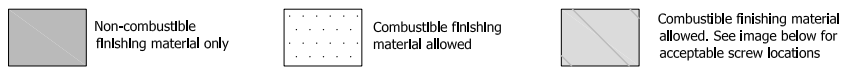
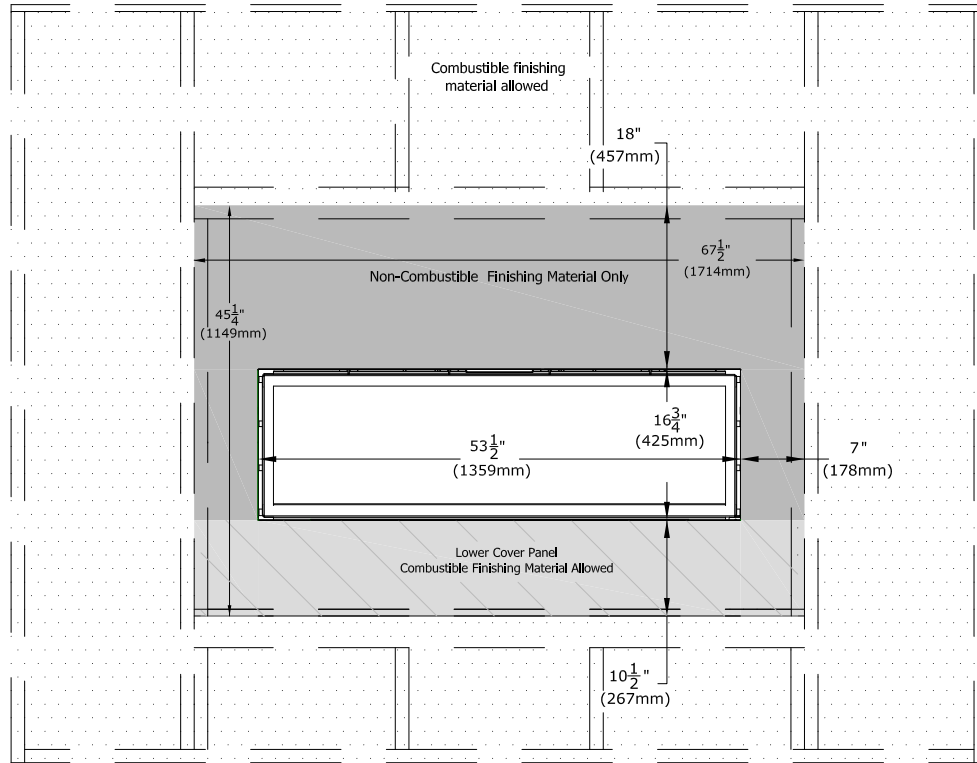


Figure 3.7 - Callaway 50 Minimum Non-Combustible Finishing Dimensions

Callaway See Thru



Screw Pattern Locations

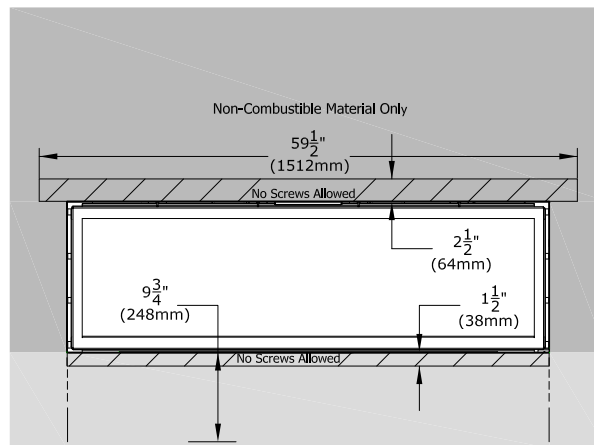


Figure 3.8 - Callaway See Thru Minimum Non-Combustible Finishing Dimensions

Bellingham 38

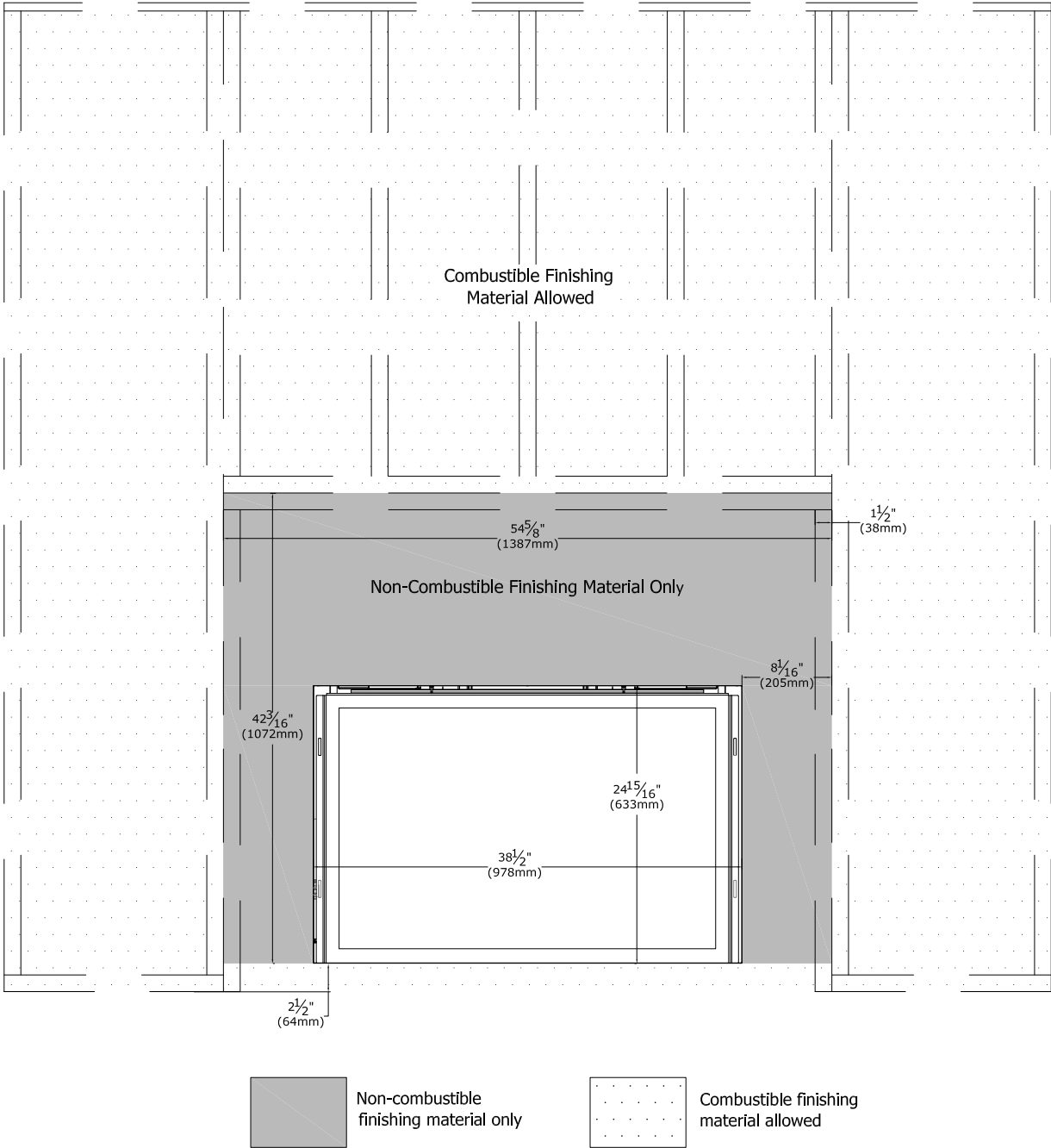


Figure 3.9 - Bellingham 38 Minimum Non-Combustible Finishing Dimensions

Bellingham 44

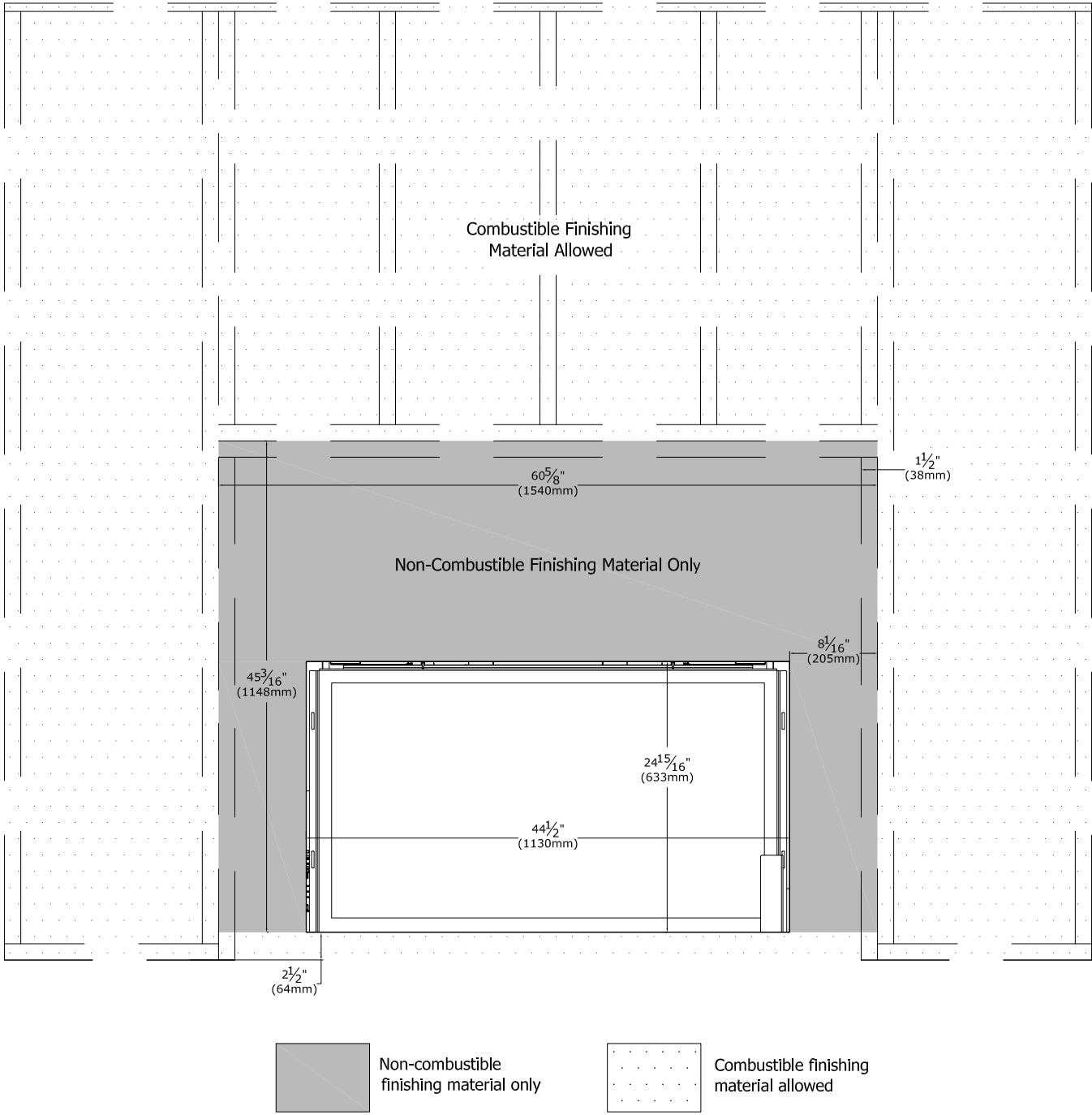
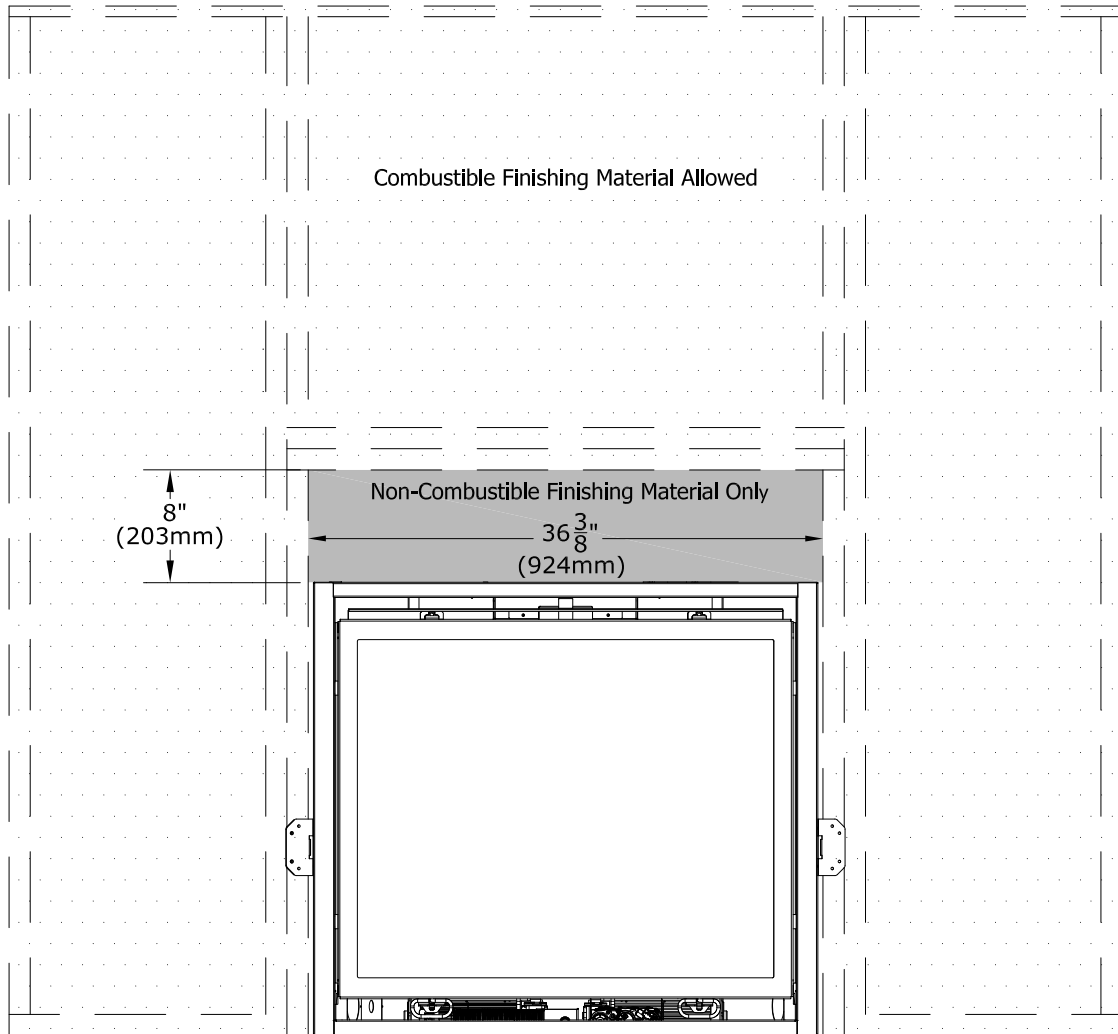


Figure 3.10 - Bellingham 44 Minimum Non-Combustible Finishing Dimensions

Nordik 36 DV



Non-combustible finishing material only



Combustible finishing material allowed

Figure 3.11 - Nordik 36 DV Minimum Non-Combustible Finishing Dimensions

Nordik 41 DV

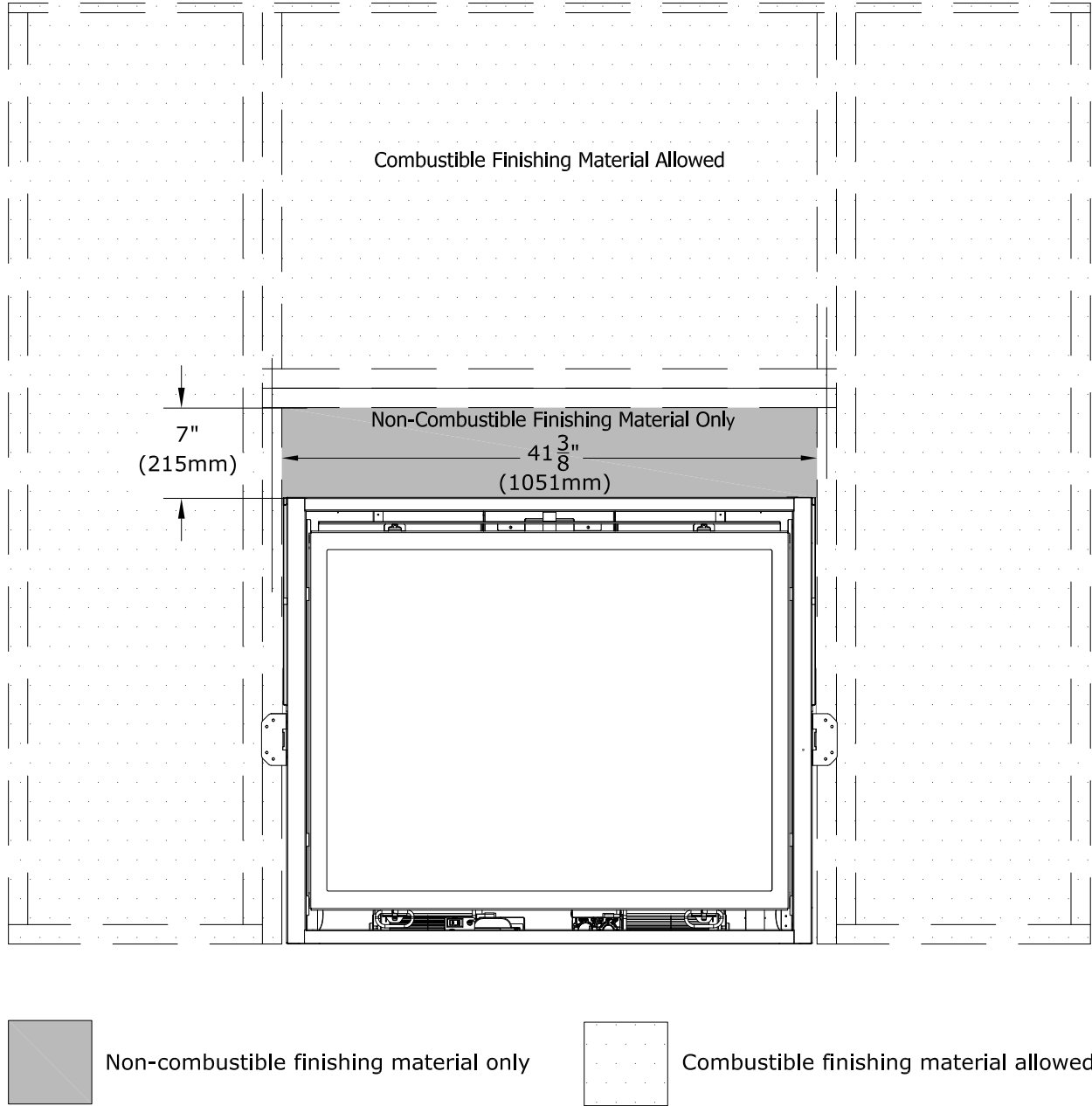


Figure 3.12 - Nordik 41 DV Minimum Non-Combustible Finishing Dimensions

3.2 Finishing Requirements

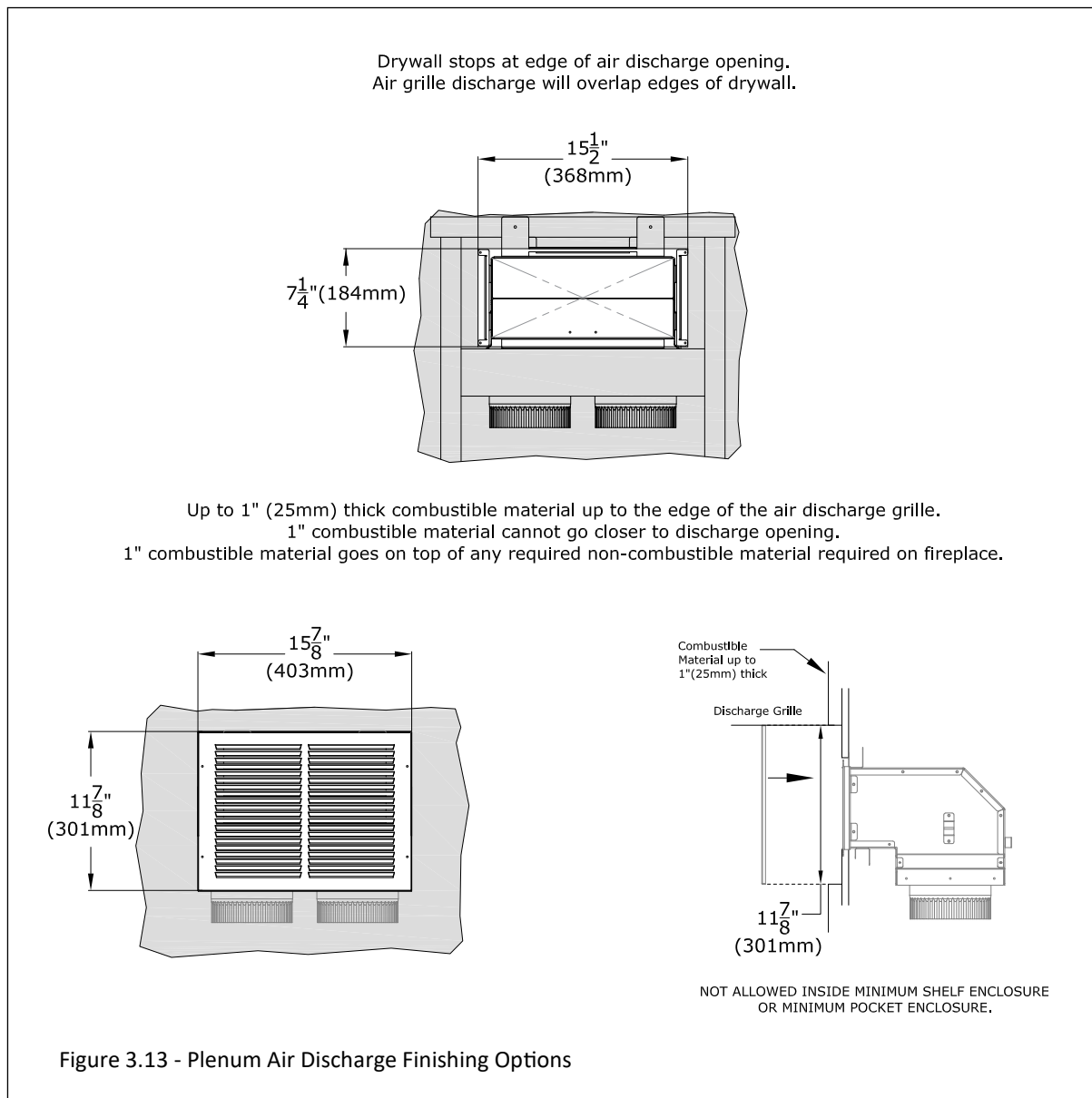
3.2.1 Finishing Options - Plenum Air Discharge

WARNING! RISK OF OVERHEATING AND FIRE! Ensure the KZK duct system is installed in accordance to this manual and the requirements in the fireplace manual.

NOTE: If you desire to run finishing material up to edge of the discharge opening, see drawing below. Finishing material must not block the air discharge grille and must run evenly along the plenum opening.

IMPORTANT: Additional 1" (25mm) combustible trim on top of existing materials is **NOT** allowed inside the side shelf enclosures for the Callaway 50, Callaway 50 MV, Bellingham 38, Bellingham 44, Nordik 36 DV, and Nordik 41 DV. The 1" combustible trim is allowed around the plenum grill when not installed in a side shelf application.

1" (25mm) combustible material goes on top of any required non-combustible material required on the fireplace as shown in previously in this section or on top of the drywall that stops at the edge of the air discharge opening. See the top image in Figure 3.12 for where the drywall stops at the air discharge opening. Note: The plenum grille will cover the edge of this drywall.



3.2.2 Combustible Wall Finish

FIGURE 3.14 shows installation of combustible wall finish up to 1" thick for the Callaway 50 & Callaway 50 MV. This combustible material goes over any required non-combustible materials as shown in FIGURE 3.7.

This 1" (25mm) combustible material is able to go down to the fireplace finishing edge.

See FIGURE 3.13 for up to 1" (25mm) thick combustible material installation around the KZK air discharge grille.

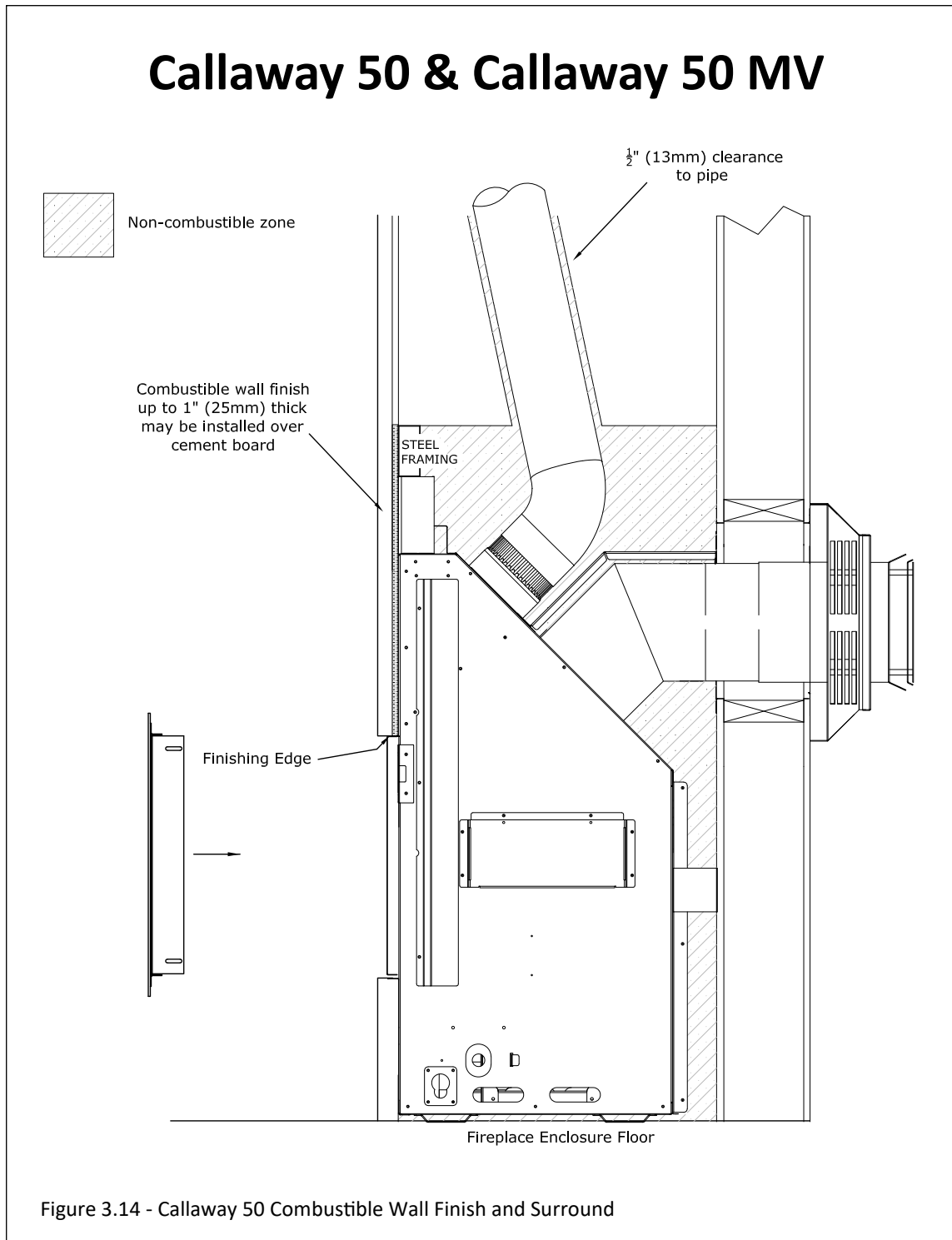


Figure 3.14 - Callaway 50 Combustible Wall Finish and Surround

FIGURE 3.15 shows installation of combustible wall finish up to 1" thick for the Callway See Thru. This combustible material goes over any required non-combustible materials as shown in FIGURE 3.8.

This 1" (25mm) combustible material is able to go down to the fireplace finishing edge.

See FIGURE 3.13 for up to 1" (25mm) thick combustible material installation around the discharge trim of the KZK air discharge opening.

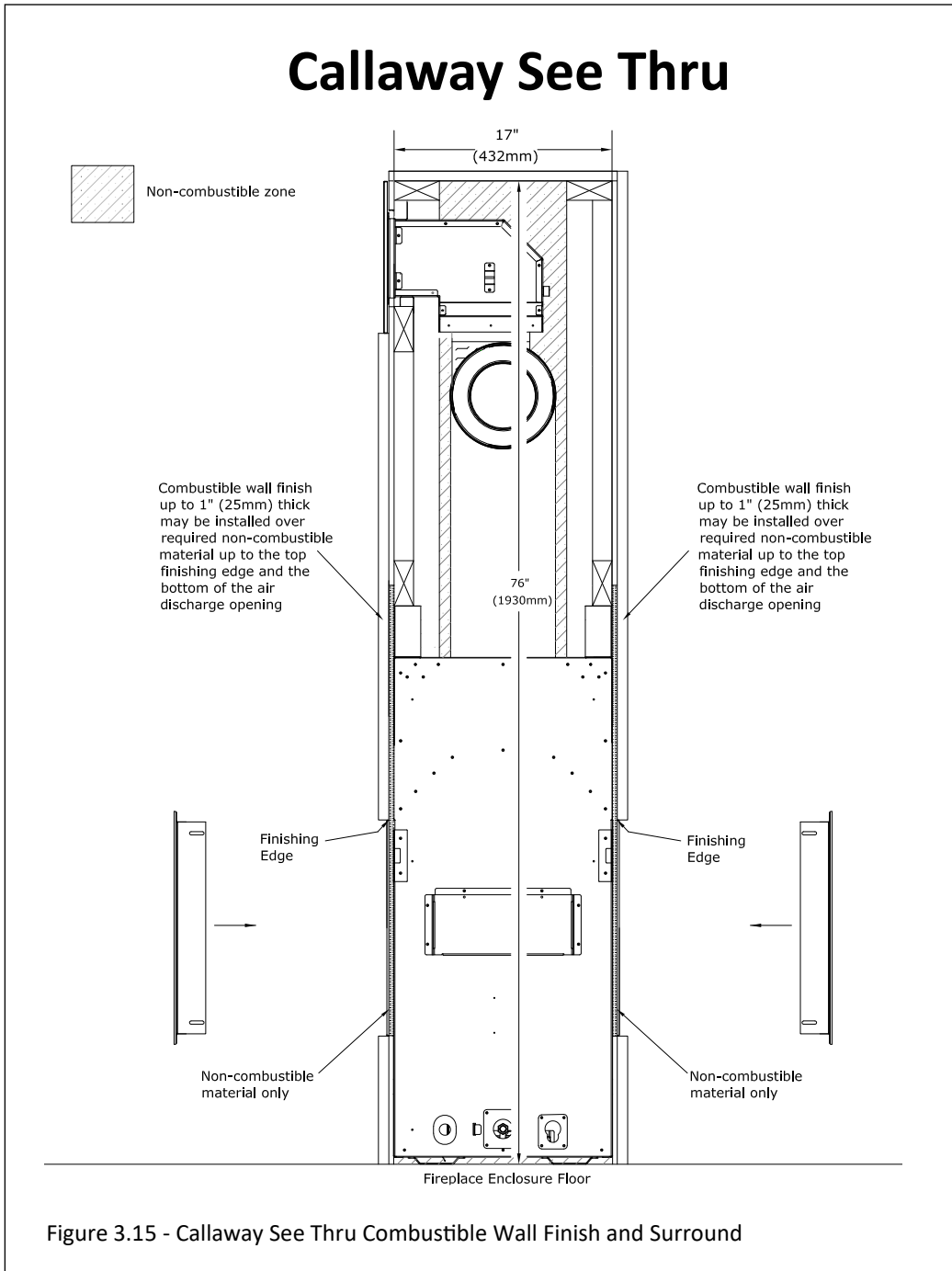


Figure 3.15 - Callway See Thru Combustible Wall Finish and Surround

FIGURE 3.16 shows installation of combustible wall finish up to 1" thick for the Bellingham 38 & Bellingham 44. This combustible material goes over any required non-combustible materials as shown in FIGURE 3.8 for Bellingham 38 or Figure 3.10 for Bellingham 44.

This 1" (25mm) combustible material is able to go down to the fireplace finishing edge.

See FIGURE 3.13 for up to 1" (25mm) thick combustible material installation around the KZK air discharge grille.

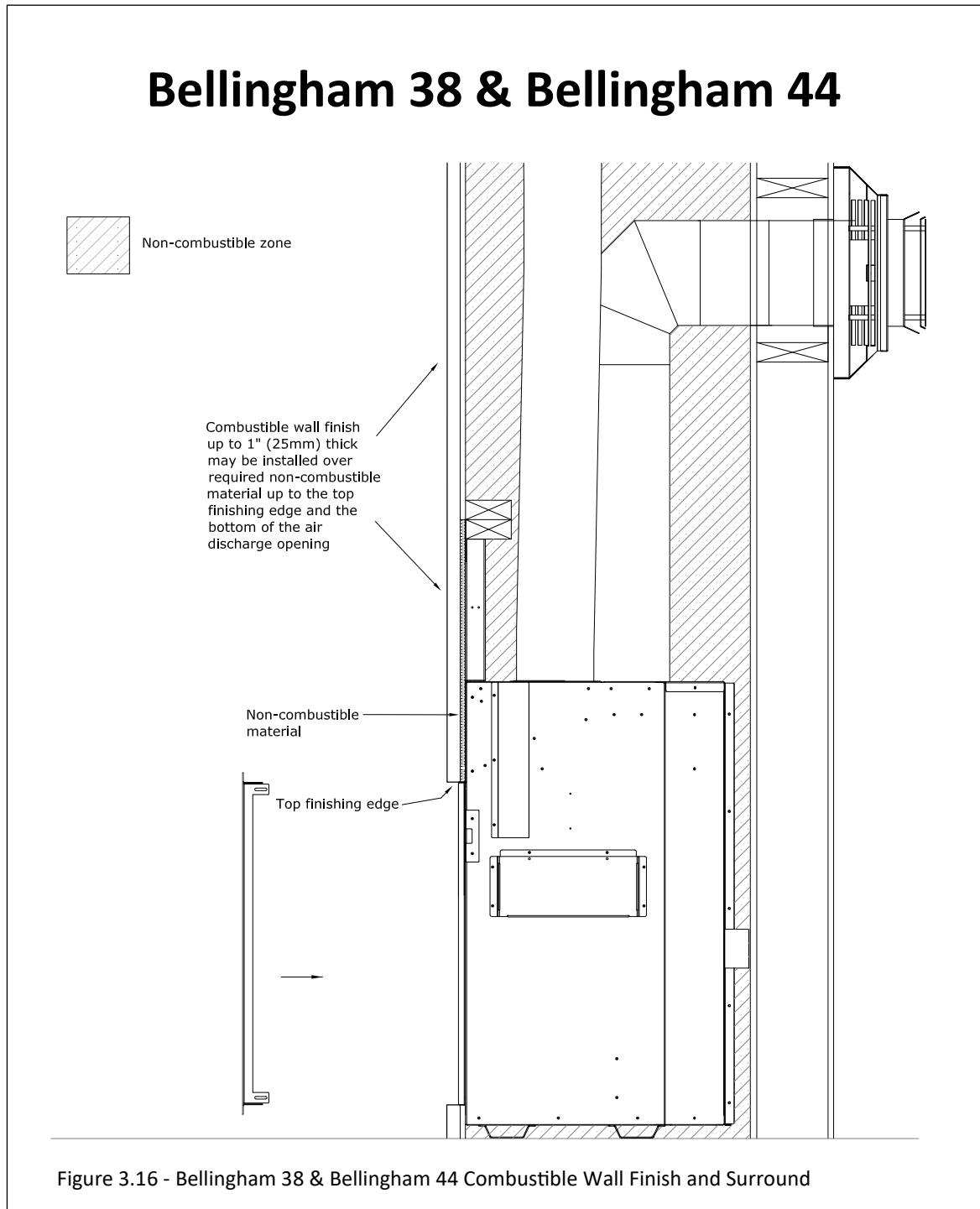


FIGURE 3.17 shows installation of combustible wall finish up to 1" thick for the Nordik 36 DV. This combustible material goes over any required non-combustible materials as shown in FIGURE 3.11.

This 1" (25mm) combustible material is able to go down to the fireplace finishing edge. We recommend the use of the finishing trim kit that is shipped with the Nordik 36 DV. This provides an edge to stop finishing material that ensures the safety barrier can be removed for fireplace servicing.

See FIGURE 3.13 for up to 1" (25mm) thick combustible material installation around the KZK air discharge grille.

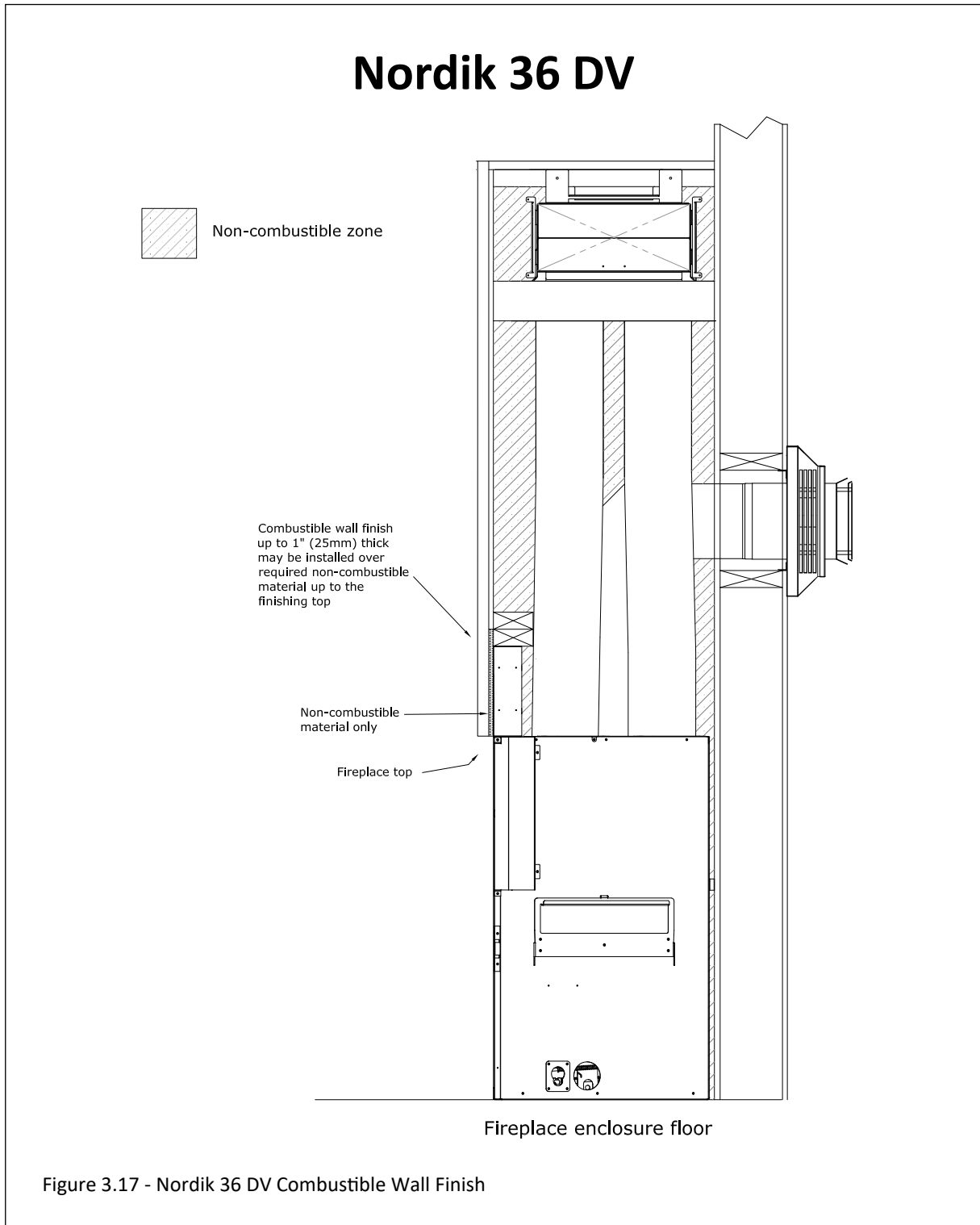
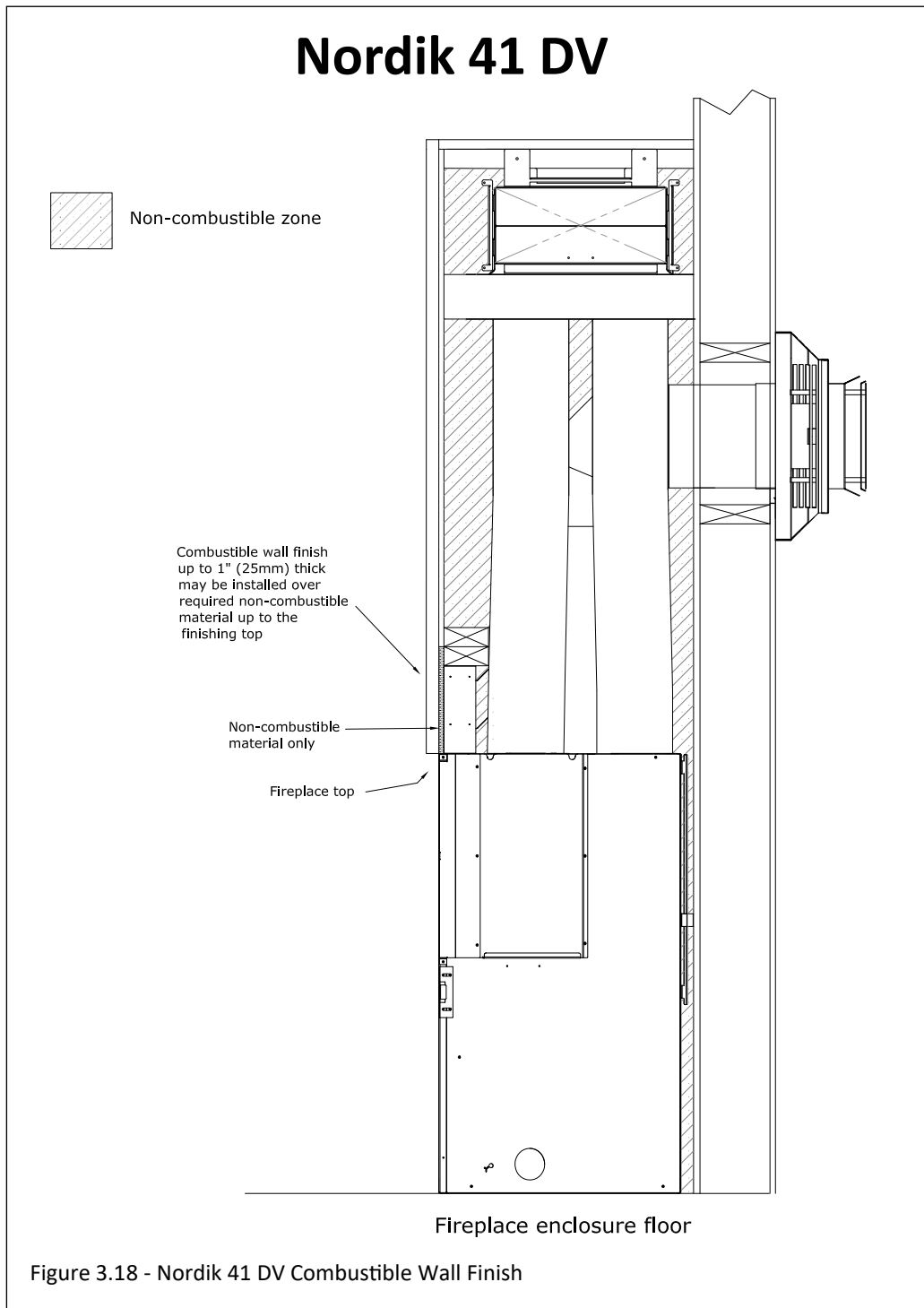


Figure 3.17 - Nordik 36 DV Combustible Wall Finish

FIGURE 3.18 shows installation of combustible wall finish up to 1" thick for the Nordik 41 DV. This combustible material goes over any required non-combustible materials as shown in FIGURE 3.12.

This 1" (25mm) combustible material is able to go down to the fireplace finishing edge. We recommend the use of the finishing trim kit that is shipped with the Nordik 41 DV. This provides an edge to stop finishing material that ensures the safety barrier can be removed for fireplace servicing.

See FIGURE 3.13 for up to 1" (25mm) thick combustible material installation around the KZK air discharge grille.



3.3 Mantel and Hearth Clearances

Callaway 50 & Callaway 50 MV

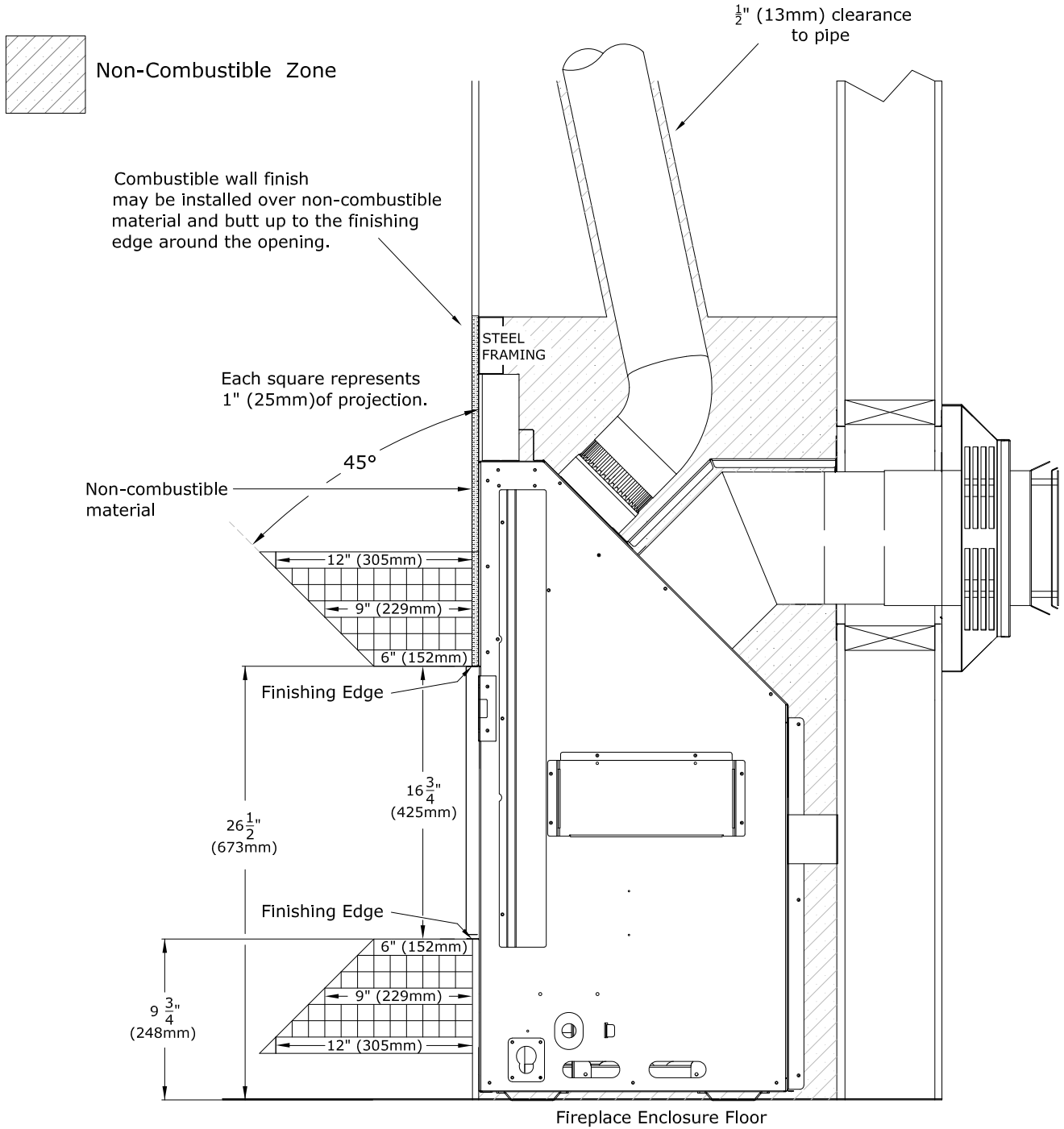


Figure 3.19 - Callaway 50 Hearth & Mantel Clearances

Callaway See Thru

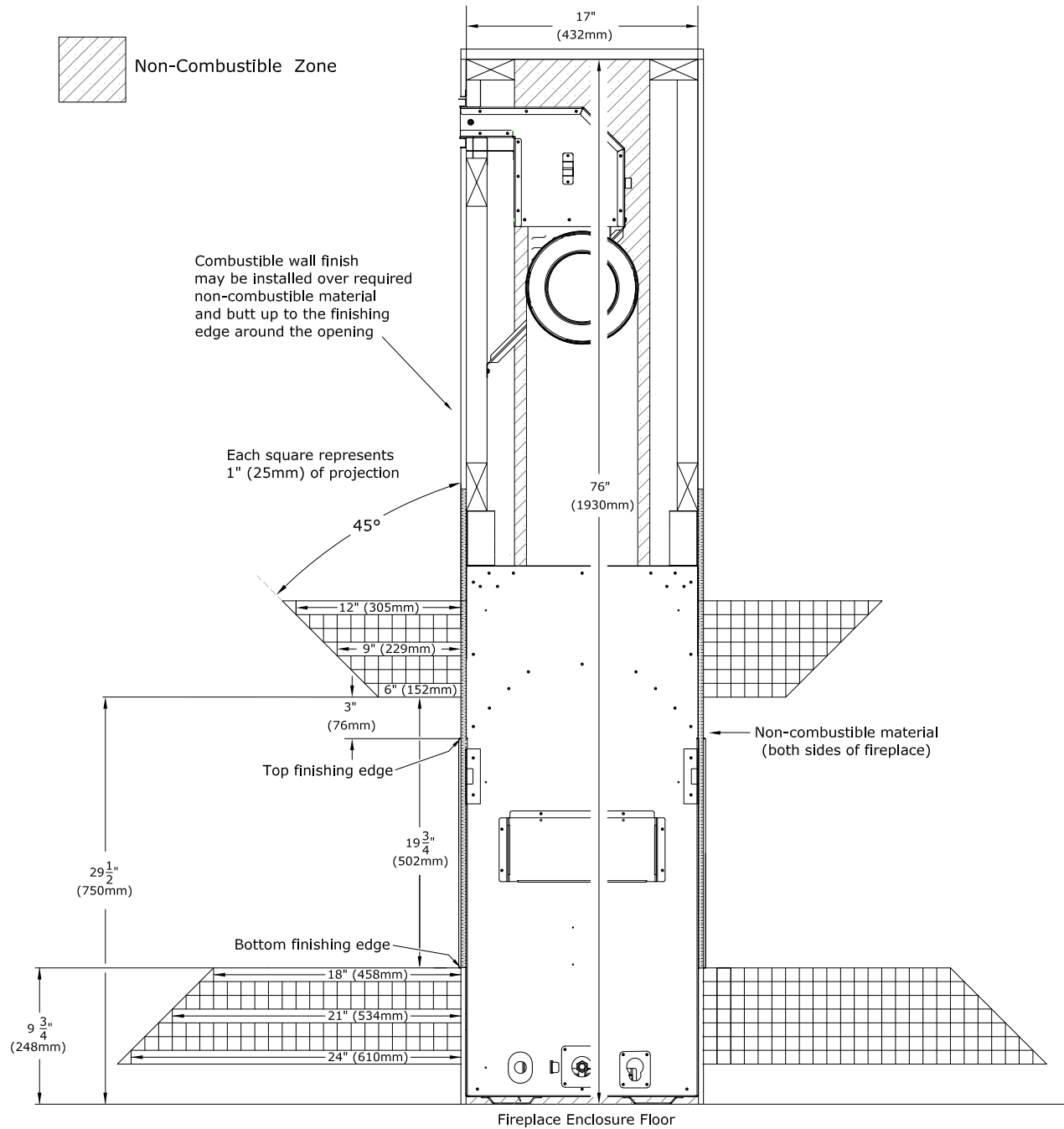


Figure 3.20 - Callaway See Thru Hearth & Mantel Clearances

Bellingham 38 & Bellingham 44

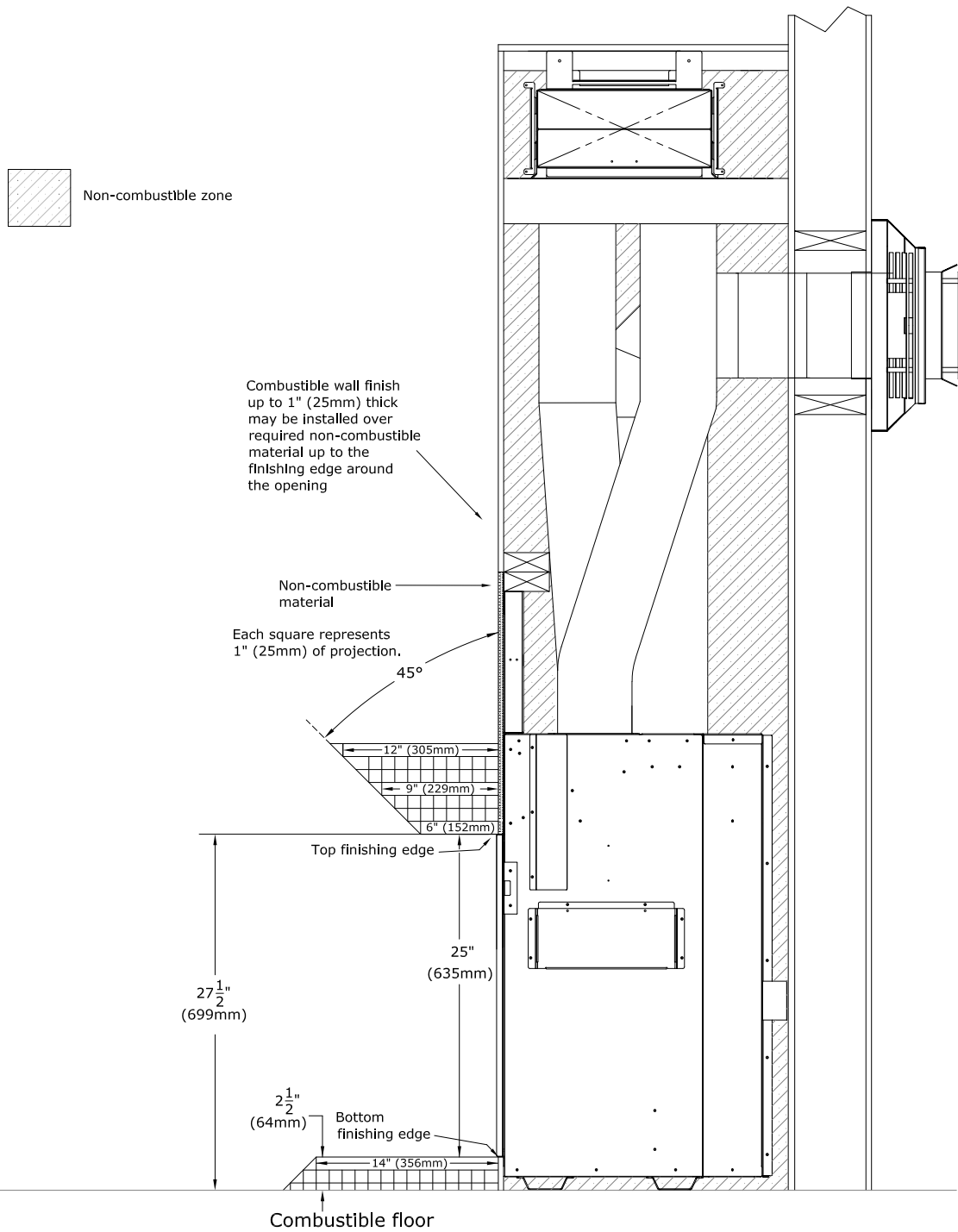


Figure 3.21 - Bellingham 38 & Bellingham 44 Hearth & Mantel Clearances

FIGURE 3.22 shows installation of combustible mantel projection for the Nordik 36 DV. Combustible flooring can run underneath this appliance which would then allow an unlimited combustible hearth projection. The hearth projection cannot be elevated (vertically) past the base of the fireplace / enclosure floor.

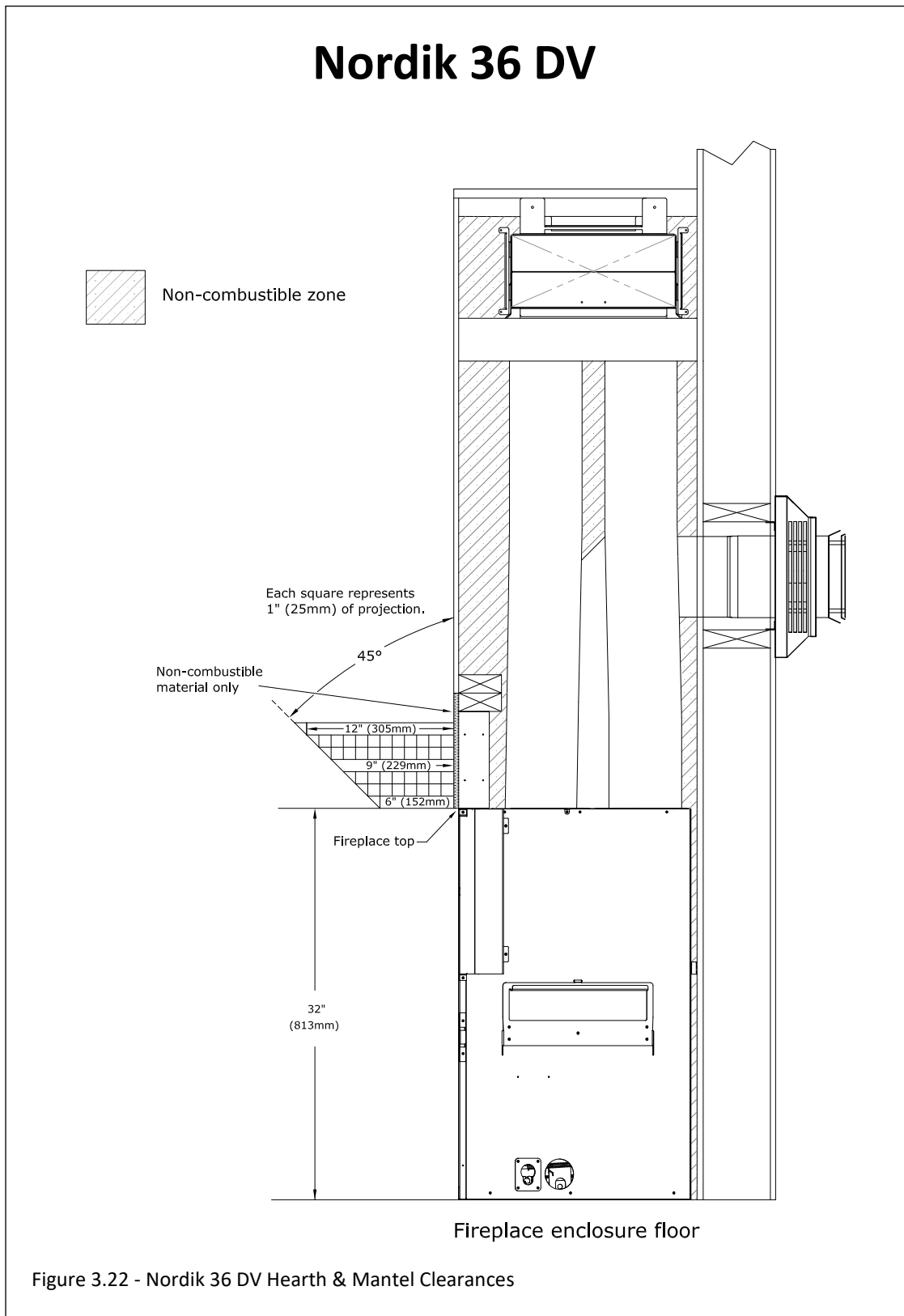
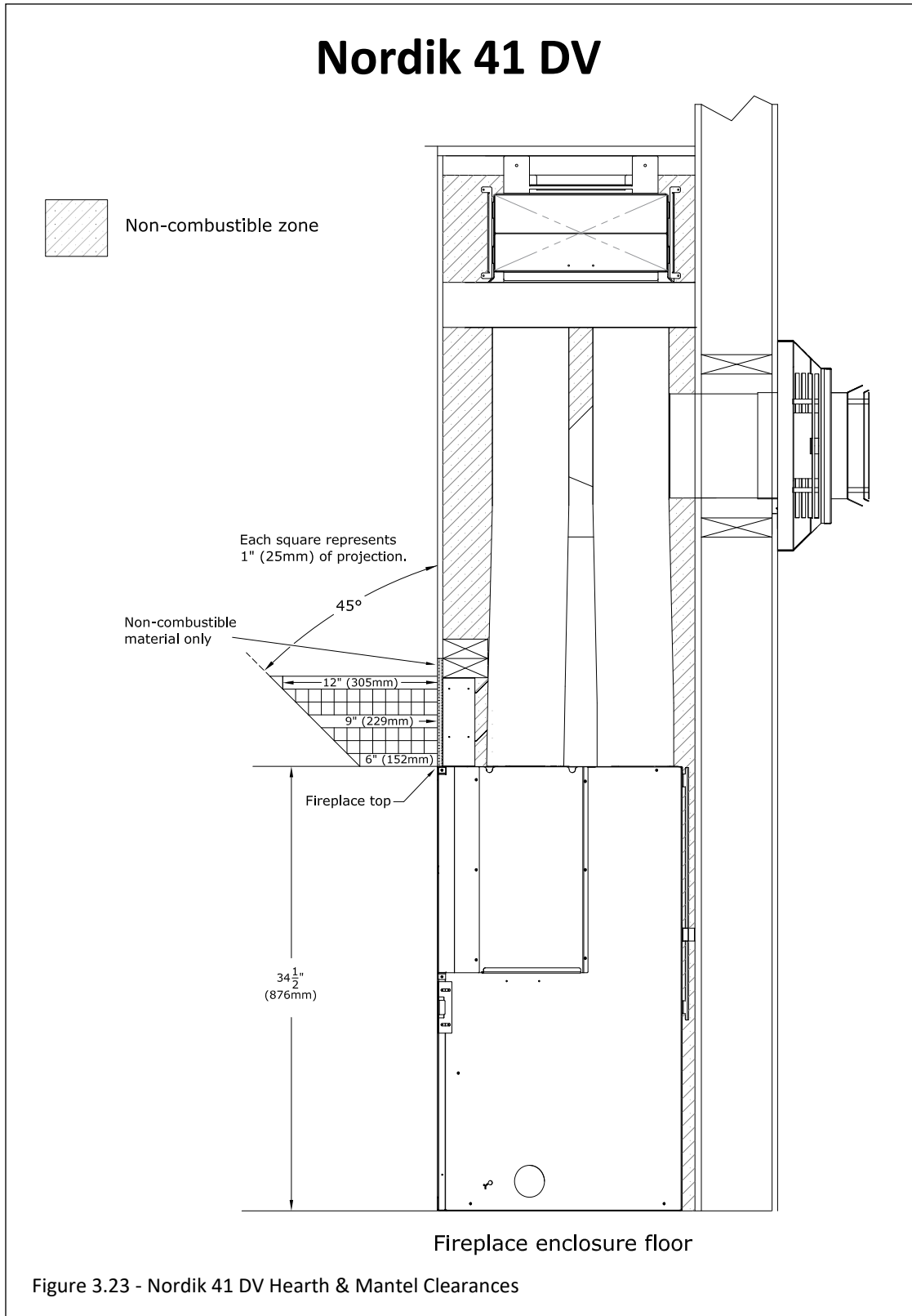


FIGURE 3.23 shows installation of combustible mantel projection for the Nordik 41 DV. Combustible flooring can run underneath this appliance which would then allow an unlimited combustible hearth projection. The hearth projection cannot be elevated (vertically) past the base of the fireplace / enclosure floor.



4.0 Fireplace Preparation & Installation

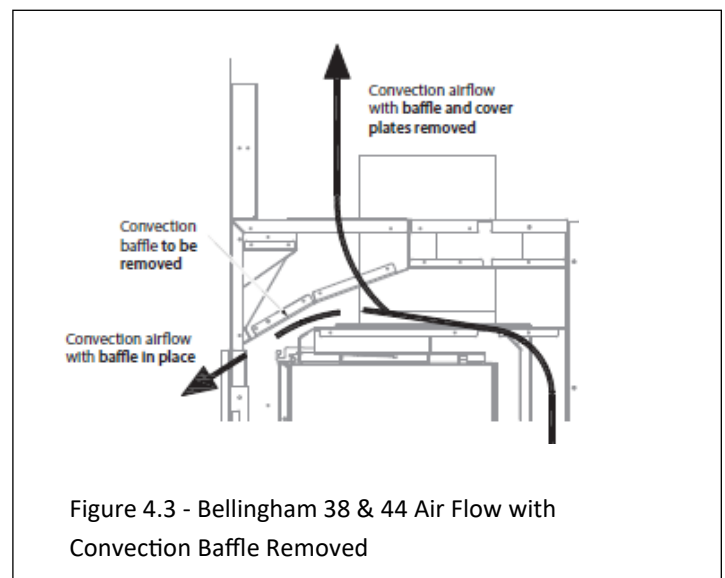
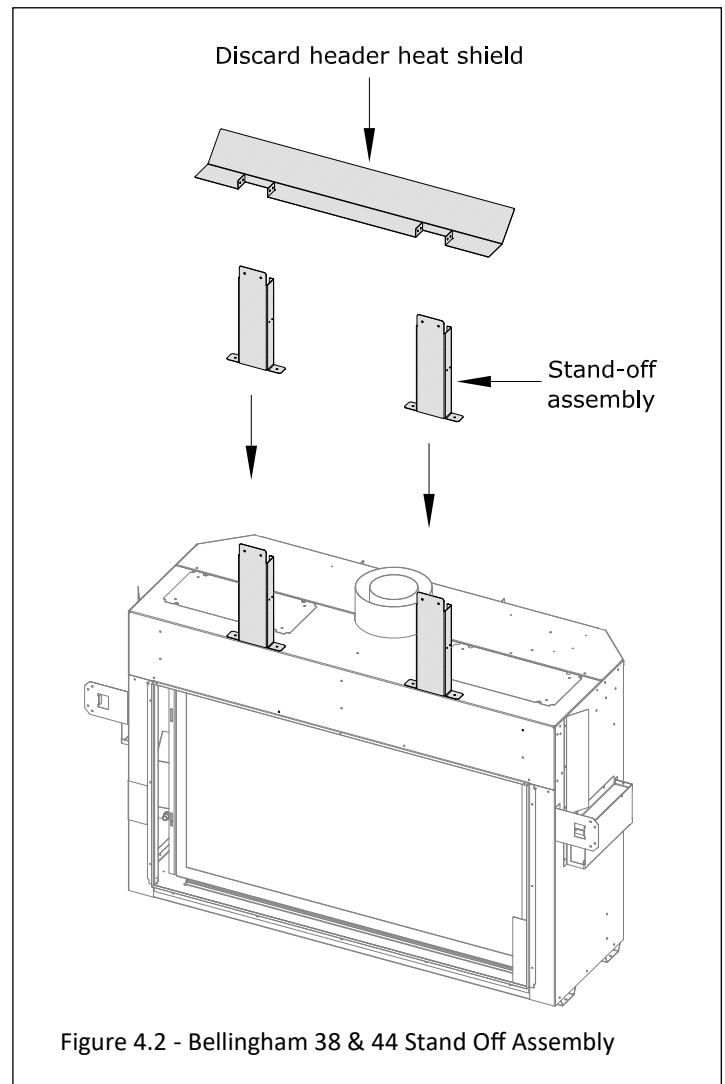
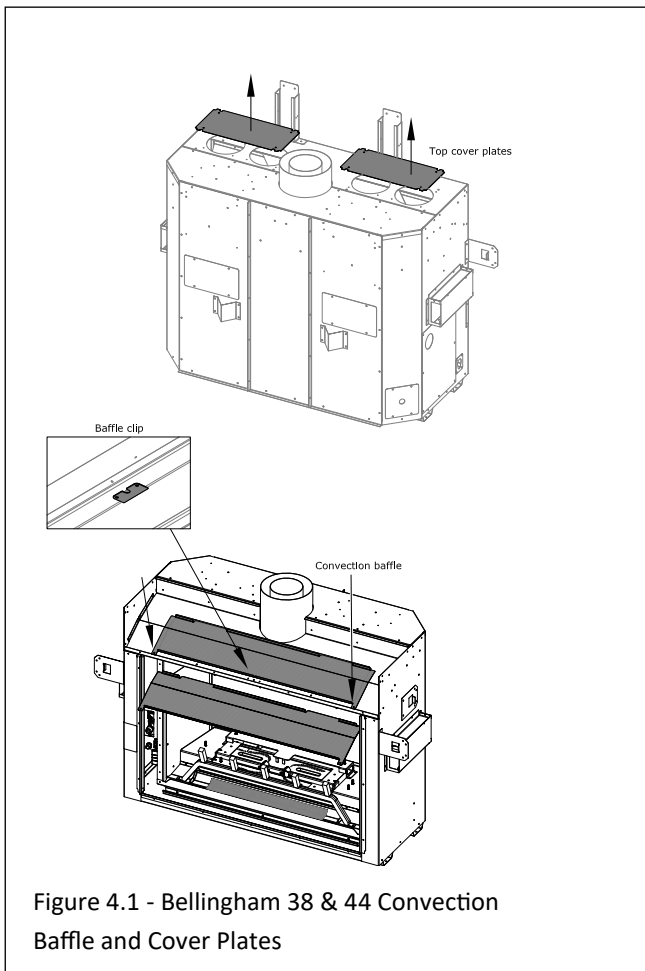
4.1 Bellingham 38 and Bellingham 44

All contents in this kit are required and must be installed.

The Kozy Zone Kit requires that the convection baffle, located above the firebox inside the appliance metal cabinet, to be removed to allow the hot airflow to convert upwards into the air ducts installed on the fireplace. You will also remove the cover plates.

See additional requirements and installation information in the appliance manual.

1. Remove the convection baffle from the appliance. Recycle this panel as it is no longer needed. The baffle is secured by a baffle clip with (2) screws in the front center, and (2) screws right behind the upper edge of the fireplace opening.
2. Remove (2) cover plates on top of the appliance (4 screws each).
3. Install the metal stand-off assembly and discard the header heat shield.
4. Align the take off collars to the corresponding holes on top of the appliance. Secure with screws previously removed. Install the take off collars to the corresponding opening(s) on the plenum(s). Use supplied screws.



5. Install fireplace into framed location. Frame a rough opening at the desired location for the KZK plenums. See previous pages of this manual for allowable plenum positions and rough frame opening sizes.
6. Install the plenum(s) into the rough frame opening maintaining minimum clearances to combustibles, as listed in the previous pages of this manual, and in the fireplace installation manual. Fix the plenum to the framing using nails or screws through the top mounting bracket.
7. Use metal strapping (not supplied) as required to further secure the plenum to framing.
8. Attach the piping from all (4) plenum take off collars to all (4) take off collars on the fireplace. If you are mounting the plenum 10' or less above the fireplace, use (1) #KZK-410-6 kit or UL-181 Class 0 approved air duct. If you are mounting the plenum between 10' to 20' above the fireplace then you will need (2) #KZK-410-6 kits and #KZK-CPL6 or UL-181 Class 0 approved air duct.
9. An upward slope must be maintained in horizontal sections of pipes for proper convection. Support horizontal sections every 24 inches.
10. Install the air grilles provided with the kit using (4) screws total.

If desired, the air grilles may be painted. Use high temperature paint (250°F).

Continue with fireplace installation.

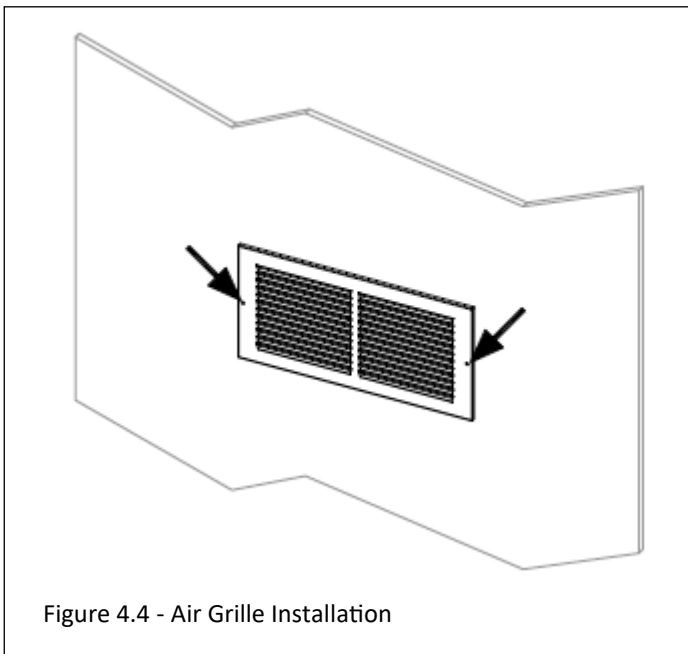


Figure 4.4 - Air Grille Installation

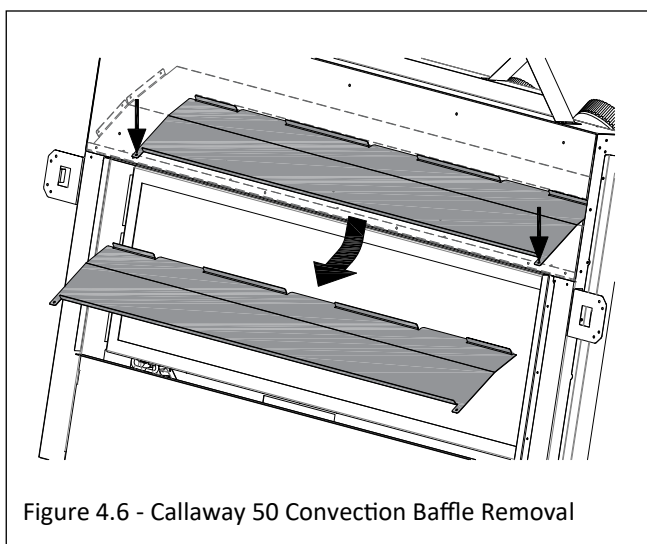
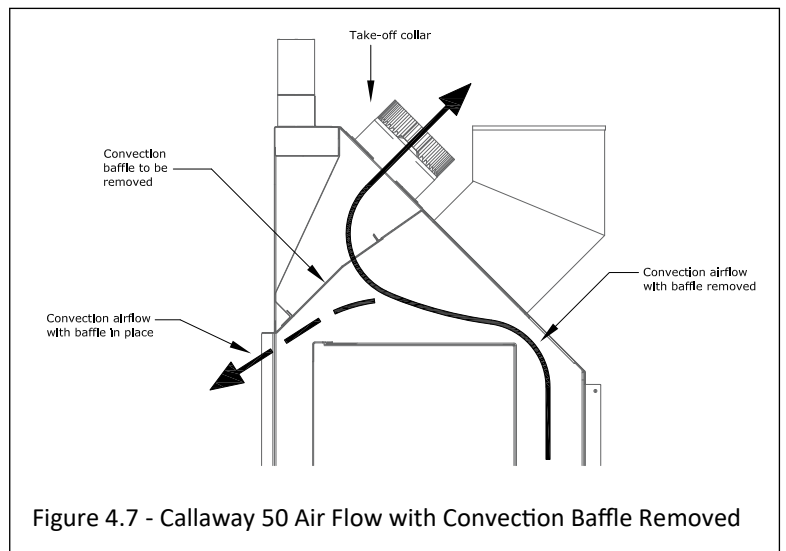
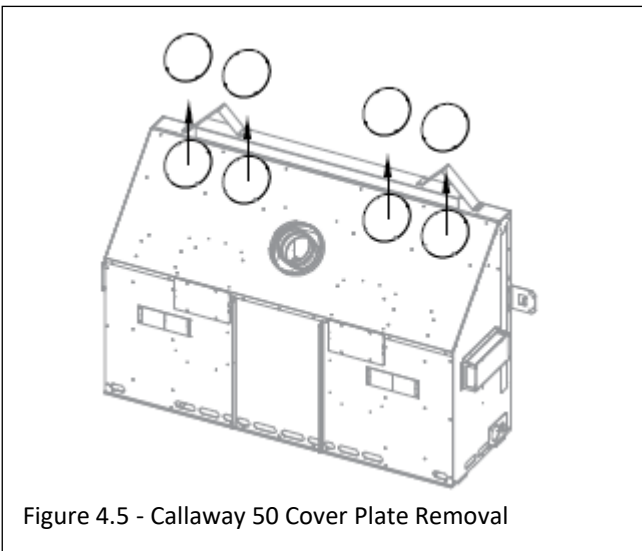
4.2 Callaway 50 and Callaway 50 MV

All contents in this kit are required and must be installed.

The Kozy Zone Kit requires that the convection baffle, located above the firebox inside the appliance metal cabinet, to be removed to allow the hot airflow to convect upwards into the air ducts installed on the fireplace. You will also remove the cover plates.

See additional requirements and installation information in the appliance manual.

1. Remove the convection baffle from the appliance. Recycle this panel as it is no longer needed. The baffle is secured by (2) screws right behind the upper edge of the fireplace opening. See FIGURE 4.6.
2. Remove (4) cover plates on top of the appliance (4 screws each).
3. Assemble fireplaces stand-off assembly.
4. Align the take off collars to the corresponding holes on top of the appliance. Secure with screws previously removed. Install the take off collars to the corresponding opening(s) on the plenum(s). Use supplied screws.



5. Install fireplace into framed location. Frame a rough opening at the desired location for the KZK plenums. See previous pages of this manual for allowable plenum positions and rough frame opening sizes.
6. Install the plenum(s) into the rough frame opening maintaining minimum clearances to combustibles, as listed in the previous pages of this manual, and in the fireplace installation manual. Fix the plenum to the framing using nails or screws through the top mounting bracket.
7. Use metal strapping (not supplied) as required to further secure the plenum to framing.
8. Attach the piping from all (4) plenum take off collars to all (4) take off collars on the fireplace. If you are mounting the plenum 10' or less above the fireplace, use (1) #KZK-410-6 kit or UL-181 Class 0 approved air duct. If you are mounting the plenum between 10' to 20' above the fireplace then you will need (2) #KZK-410-6 kits and #KZK-CPL6 or UL-181 Class 0 approved air duct.
9. An upward slope must be maintained in horizontal sections of pipes for proper convection. Support horizontal sections every 24 inches.
10. Install the air grilles provided with the kit using (4) screws total.

If desired, the air grilles may be painted. Use high temperature paint (250°F).

Continue with fireplace installation.

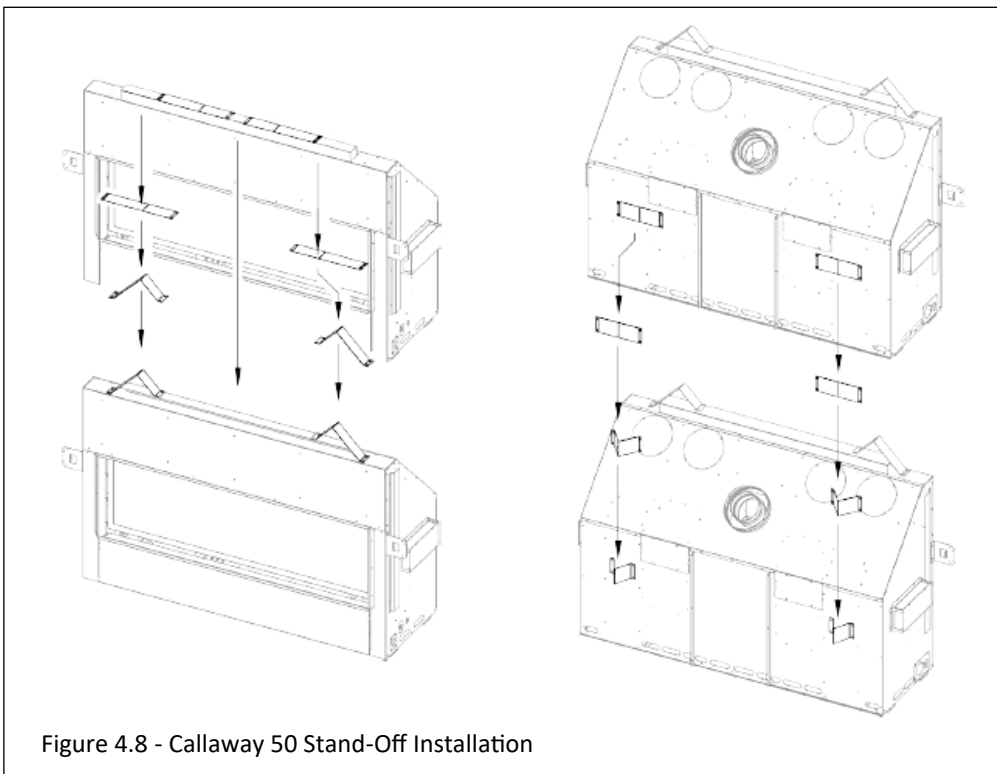


Figure 4.8 - Callaway 50 Stand-Off Installation

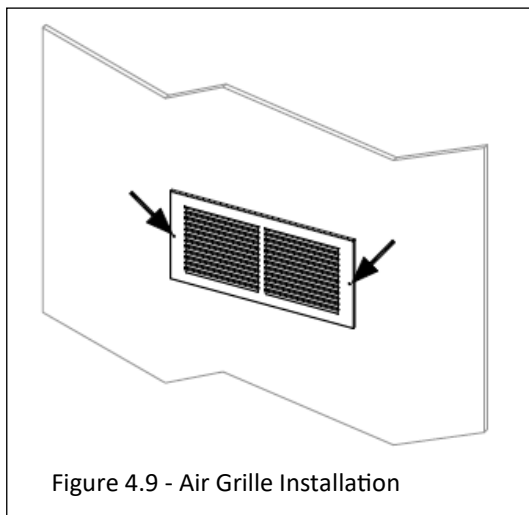


Figure 4.9 - Air Grille Installation

4.3 Callaway See Thru

All contents in this kit are required and must be installed.

The Kozy Zone Kit requires that the convection baffle, located above the firebox inside the appliance metal cabinet, to be removed to allow the hot airflow to convect upwards into the air ducts installed on the fireplace. You will also remove the cover plates.

See additional requirements and installation information in the appliance manual.

1. Remove the convection baffle from the appliance. Recycle this panel as it is no longer needed. The (6) baffles are secured by (2) screws each behind the upper edge of both fireplace openings. Each side of the fireplace has (3) convection baffles to be removed. See FIGURE 4.10.
2. Remove (4) cover plates on top of the appliance (4 screws each).
3. Assemble fireplace stand-off assembly.
4. Align the take off collars to the corresponding holes on top of the appliance. Secure with screws previously removed. Install the take off collars to the corresponding opening(s) on the plenum(s). Use supplied screws.

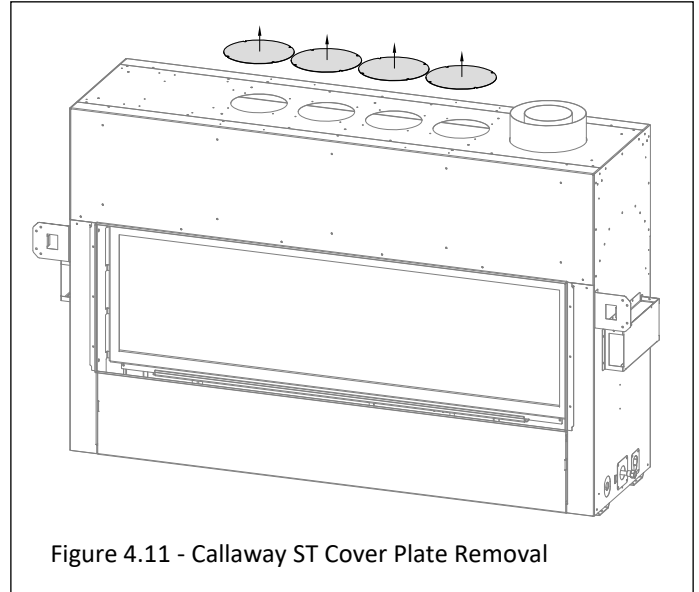


Figure 4.11 - Callaway ST Cover Plate Removal

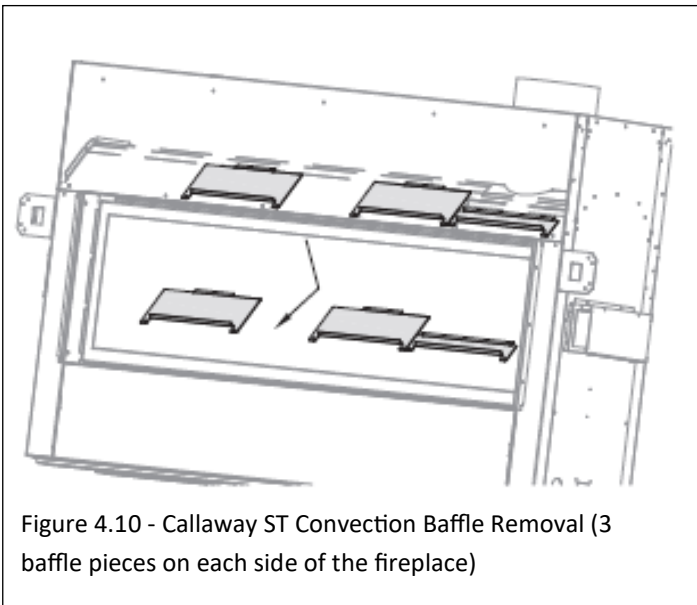


Figure 4.10 - Callaway ST Convection Baffle Removal (3 baffle pieces on each side of the fireplace)

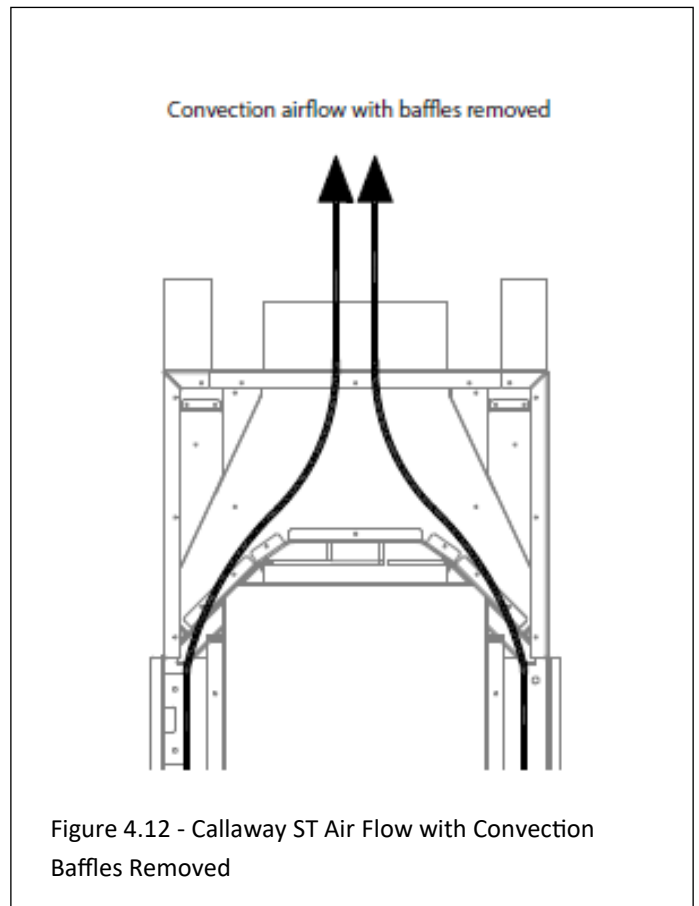
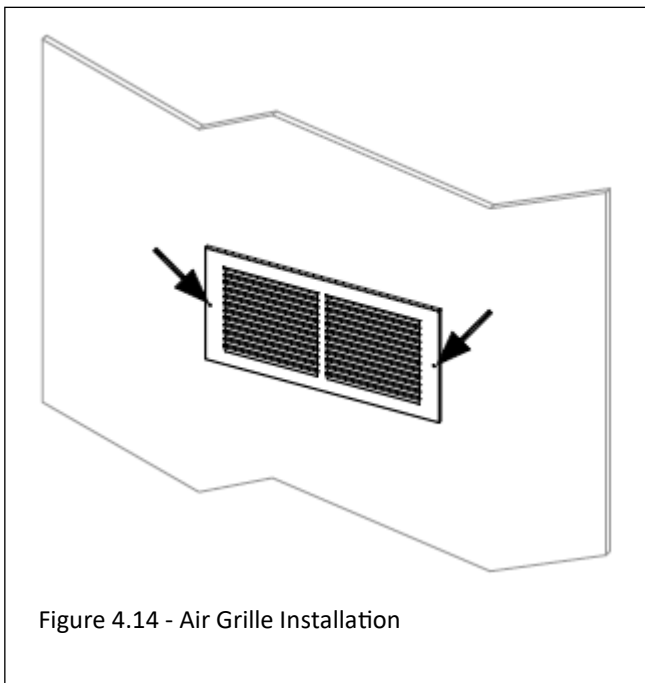
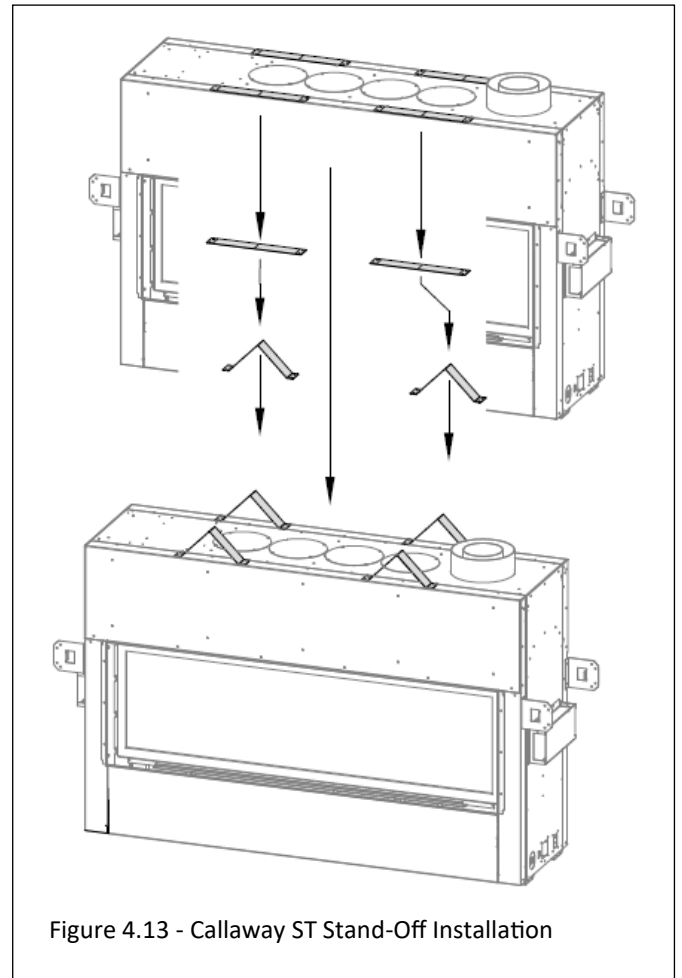


Figure 4.12 - Callaway ST Air Flow with Convection Baffles Removed

5. Install fireplace into framed location. Frame a rough opening at the desired location for the KZK plenums. See previous pages of this manual for allowable plenum positions and rough frame opening sizes.
6. Install the plenum(s) into the rough frame opening maintaining minimum clearances to combustibles, as listed in the previous pages of this manual, and in the fireplace installation manual. Fix the plenum to the framing using nails or screws through the top mounting bracket.
7. Use metal strapping (not supplied) as required to further secure the plenum to framing.
8. Attach the piping from all (4) plenum take off collars to all (4) take off collars on the fireplace. If you are mounting the plenum 10' or less above the fireplace, use (1) #KZK-410-6 kit or UL-181 Class 0 approved air duct. If you are mounting the plenum between 10' to 20' above the fireplace then you will need (2) #KZK-410-6 kits and #KZK-CPL6 or UL-181 Class 0 approved air duct.
9. An upward slope must be maintained in horizontal sections of pipes for proper convection. Support horizontal sections every 24 inches.
10. Install the air grilles provided with the kit using (4) screws total.

If desired, the air grilles may be painted. Use high temperature paint (250°F).

Continue with fireplace installation.



4.4 Nordik 36 DV

All contents in this kit are required and must be installed.

The Kozy Zone Kit requires that the convection plates, and insulation blanket to be removed to allow the hot airflow to convect upwards into the air ducts installed on the fireplace.

See additional requirements and installation information in the appliance manual.

1. Remove the (11) sheet metal screws that secure the top outer shell assembly. Pull this assembly straight up around the exhaust stack to remove it from the appliance. See the first image in Figure 4.15.
2. Remove the (4) cover plates where each cover plate is secured with (4) sheet metal screws. See the second image in Figure 4.15. Discard these cover plates.
3. Remove (3) sheet metal screws from the top of the assembly (see close up in Figure 4.16) and (2) sheet metal screws on the side of the assembly (one screw on each side shown in the second image of Figure 4.15). You are now able to separate the two sections of the top outer shell assembly. Remove and discard both the insulation and the bottom section of the top assembly. Additionally discard the (4) cover plates shown in the second image of Figure 4.15.
4. Reinstall the top outer shell assembly on the appliance with the previously removed (13) sheet metal screws.
5. Align the take off collars to the corresponding holes on top of the appliance. Secure with screws previously removed. Install the take off collars to the corresponding opening(s) on the plenum (s). Use supplied screws.

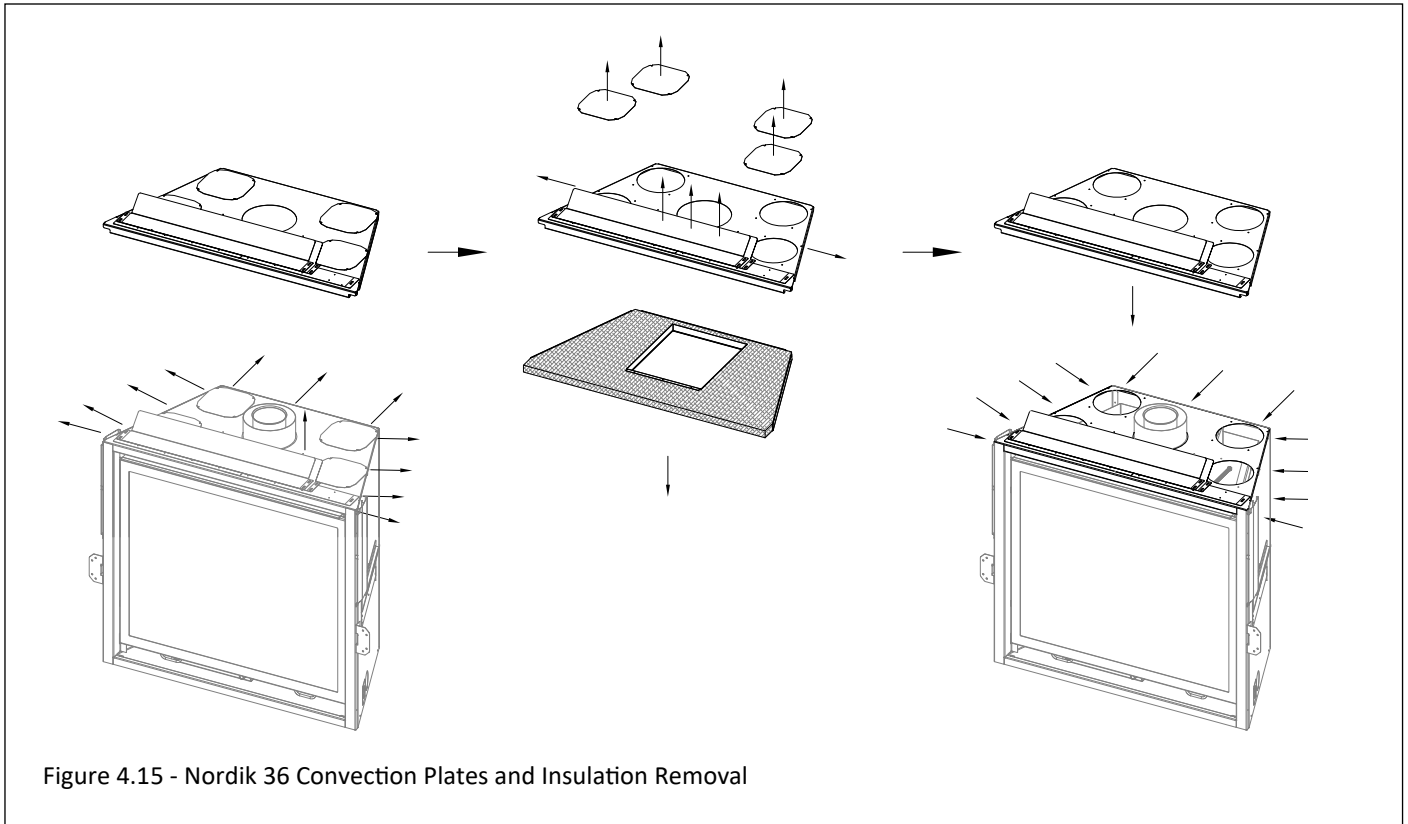


Figure 4.15 - Nordik 36 Convection Plates and Insulation Removal

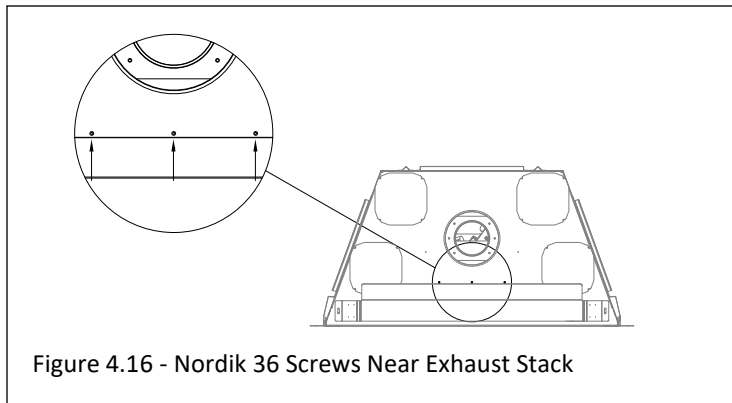


Figure 4.16 - Nordik 36 Screws Near Exhaust Stack

6. Frame the rough opening of the fireplace and KZK plenum. Refer to all pages of this KZK-1510A manual and the Nordik 36 DV manual. See previous pages of this manual for allowable plenum positions and rough frame opening sizes.
7. Install stand-off assembly on top of the appliance. See Figure 4.18. Remove and save (4) screws securing stand-off heat shields and stand-off brackets on top of the fireplace. Form each top stand-off bracket by bending at perforations, as shown. Align the holes in the formed top stand-offs with the holes in the fireplace top. Secure with the (4) screws previously removed along with (4) screws located on top of the fireplace.
8. Discard the (2) horizontal heat shields.
9. Install the plenum(s) into the rough frame opening maintaining minimum clearances to combustibles, as listed in the previous pages of this manual, and in the fireplace installation manual. Fix the plenum to the framing using nails or screws through the top mounting bracket.
10. Use metal strapping (not supplied) as required to further secure the plenum to framing.
11. Attach the piping from all (4) plenum take off collars to all (4) take off collars on the fireplace. If you are mounting the plenum 10' or less above the fireplace, use (1) #KZK-410-6 kit or UL-181 Class 0 approved air duct. If you are mounting the plenum between 10' to 20' above the fireplace then you will need (2) #KZK-410-6 kits and #KZK-CPL6 or UL-181 Class 0 approved air duct.
12. An upward slope must be maintained in horizontal sections of pipes for proper convection. Support horizontal sections every 24 inches.
13. Install the air grilles provided with the kit using (4) screws total.

If desired, the air grilles may be painted. Use high temperature paint (250°F).

Continue with fireplace installation.

IMPORTANT: The B36-PSF2 and B36-FRSF2 (Figure 3.3) are **ONLY** approved for use when the Nordik 36 DV is installed with the #KZK-1510A. The other (4) safety barriers shown in Figure 3.2 are approved in all installation scenarios.

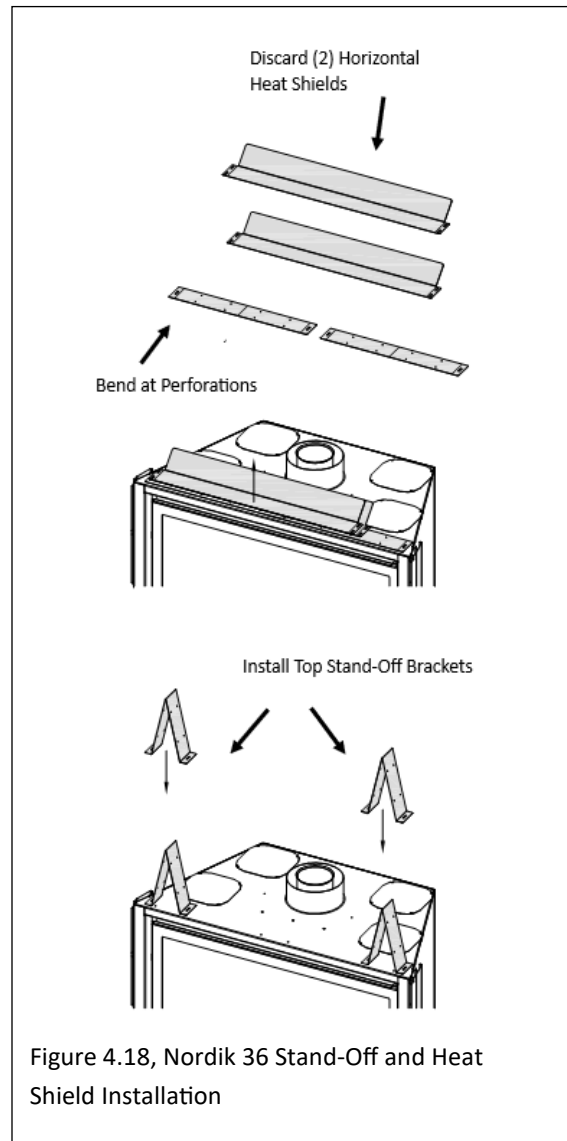


Figure 4.18, Nordik 36 Stand-Off and Heat Shield Installation

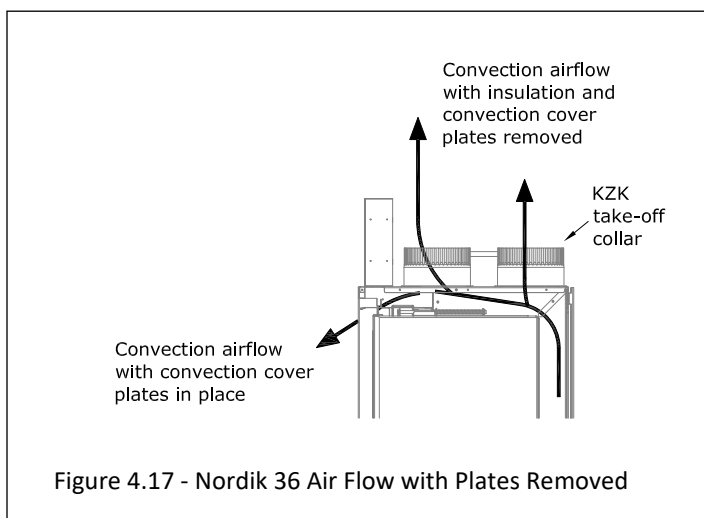


Figure 4.17 - Nordik 36 Air Flow with Plates Removed

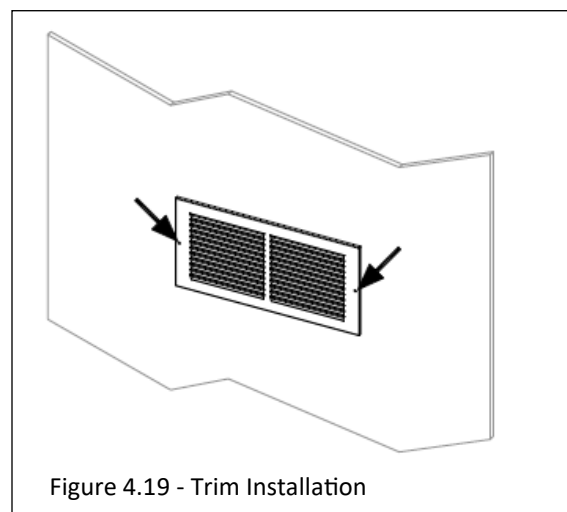


Figure 4.19 - Trim Installation

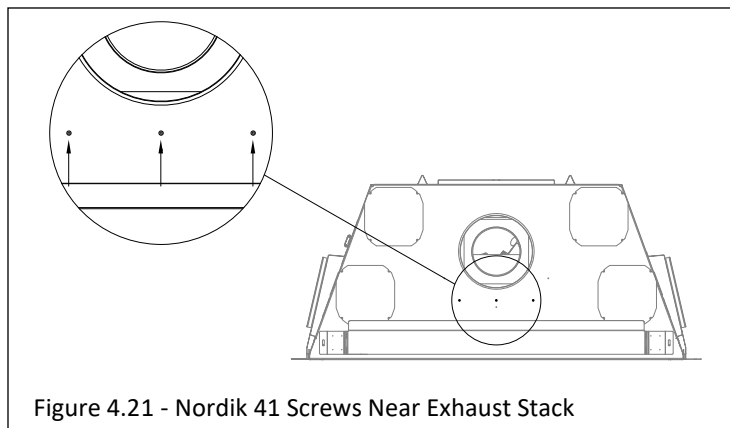
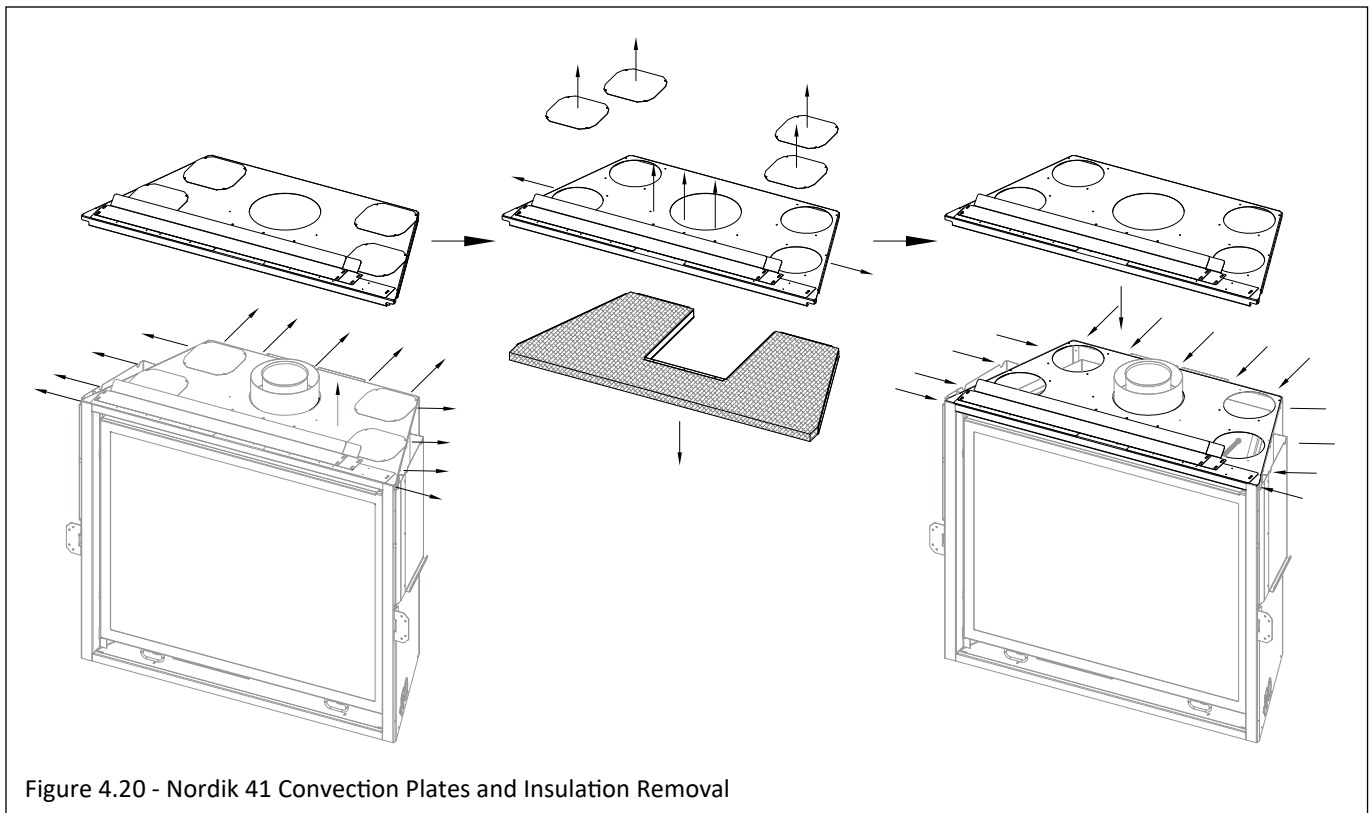
4.5 Nordik 41 DV

All contents in this kit are required and must be installed.

The Kozy Zone Kit requires that the convection plates, and insulation blanket to be removed to allow the hot airflow to convect upwards into the air ducts installed on the fireplace.

See additional requirements and installation information in the appliance manual.

1. Remove the (13) sheet metal screws that secure the top outer shell assembly. Pull this assembly straight up around the exhaust stack to remove it from the appliance. See the first image in Figure 4.20.
2. Remove the (4) cover plates where each cover plate is secured with (4) sheet metal screws. See the second image in Figure 4.20. Discard these cover plates.
3. Remove (3) sheet metal screws from the top of the assembly (see close up in Figure 4.21) and (2) sheet metal screws on the side of the assembly (one screw on each side shown in the second image of Figure 4.20). You are now able to separate the two sections of the top outer shell assembly. Remove and discard both the insulation and the bottom section of the top assembly. Additionally discard the (4) cover plates shown in the second image of Figure 4.20.
4. Reinstall the top outer shell assembly on the appliance with the previously removed (13) sheet metal screws.
5. Align the take off collars to the corresponding holes on top of the appliance. Secure with screws previously removed. Install the take off collars to the corresponding opening(s) on the plenum (s). Use supplied screws.



6. Install fireplace into framed location. Frame a rough opening at the desired location for the KZK plenums. See previous pages of this manual for allowable plenum positions and rough frame opening sizes.
7. Install the plenum(s) into the rough frame opening maintaining minimum clearances to combustibles, as listed in the previous pages of this manual, and in the fireplace installation manual. Fix the plenum to the framing using nails or screws through the top mounting bracket.
8. Use metal strapping (not supplied) as required to further secure the plenum to framing.
9. Attach the piping from all (4) plenum take off collars to all (4) take off collars on the fireplace. If you are mounting the plenum 10' or less above the fireplace, use (1) #KZK-410-6 kit or UL-181 Class 0 approved air duct. If you are mounting the plenum between 10' to 20' above the fireplace then you will need (2) #KZK-410-6 kits and #KZK-CPL6 or UL-181 Class 0 approved air duct.
10. An upward slope must be maintained in horizontal sections of pipes for proper convection. Support horizontal sections every 24 inches.
11. Install the air grilles provided with the kit using (4) screws total.

If desired, the air grilles may be painted. Use high temperature paint (250°F).

Continue with fireplace installation.

IMPORTANT: The B41-PSF2 and B41-FRSF2 (Figure 3.5) are ONLY approved for use when the Nordik 41 DV is installed with the #KZK-1510A. The other (4) safety barriers shown in Figure 3.4 are approved in all installation scenarios.

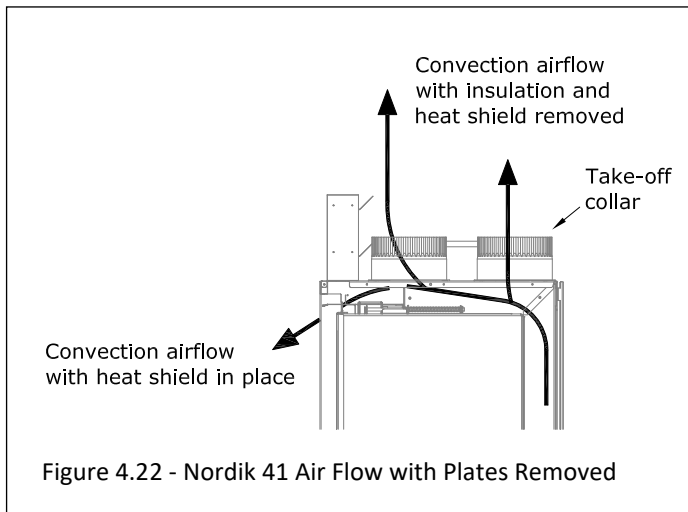


Figure 4.22 - Nordik 41 Air Flow with Plates Removed

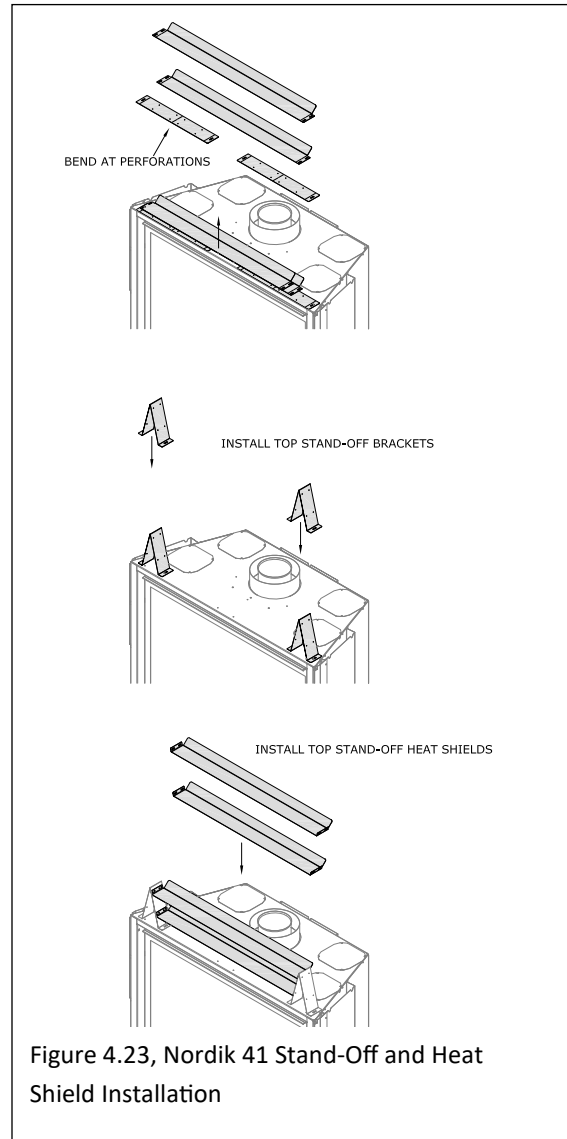


Figure 4.23, Nordik 41 Stand-Off and Heat Shield Installation

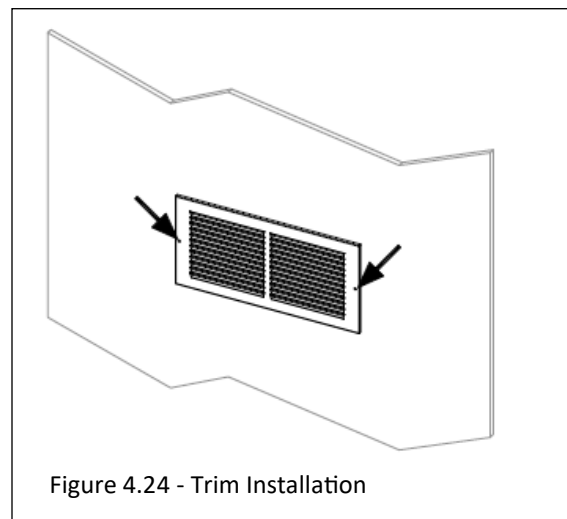


Figure 4.24 - Trim Installation

