

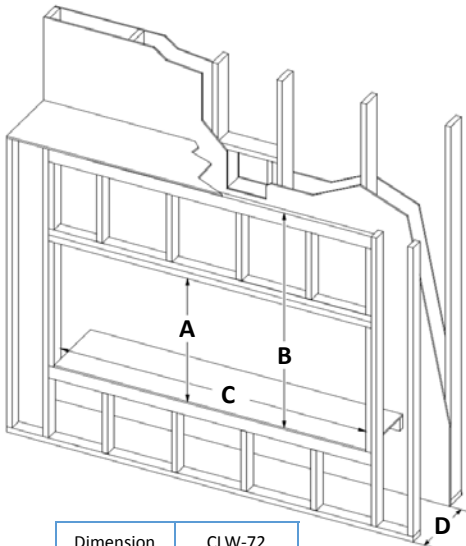
Please leave these reference guides at the installation location until the installation is finished. See owners manual for full installation and finishing instructions before making final decisions as information is subject to change.

## Specifications (all measurements are in inches)

• GAS LINE OPENING: RIGHT SIDE • ELECTRICAL ACCESS: LEFT SIDE

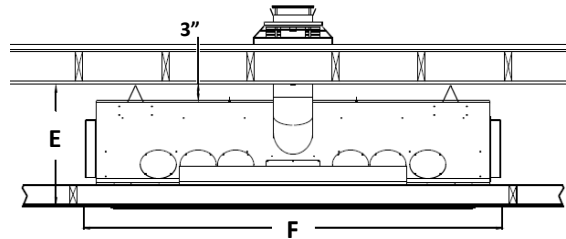
Model	BTU	Height		Front Width		Back Width		Depth		Glass Viewing Area
		Actual	Framing	Actual	Framing	Actual	Framing	Actual	Framing	
CLW-72	49,500 (NG) 49,000 (LP)	40-3/4	48-5/8	81-1/2	86-1/2	81-1/2	86-1/2	18-15/16	22	75-1/2 x 18-3/8

## Framing Opening *If installing the Komfort Zone Kit or Heat Transfer Kit(s), please refer to the installation manual included with the corresponding kit*

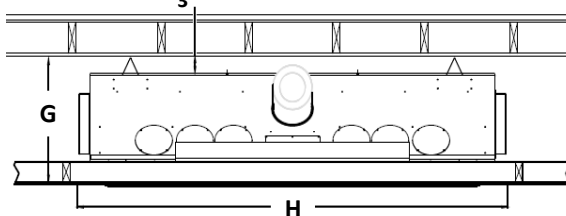


Dimension	CLW-72
A	48-5/8
B	79-1/4
C	86-1/2
D	22

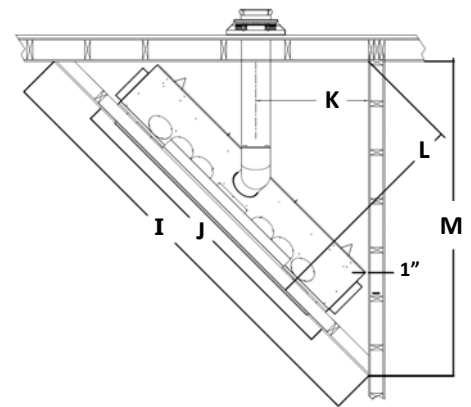
HORIZONTAL TERMINATION



3" VERTICAL TERMINATION

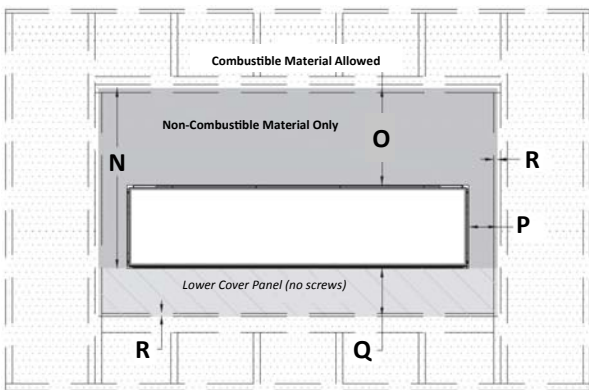


CORNER INSTALLATION



E	F	G	H	I	J	K	L	M
22	86-1/2	22	86-1/2	123-13/16	86-1/2	31-1/4	61-1/16	87-1/8

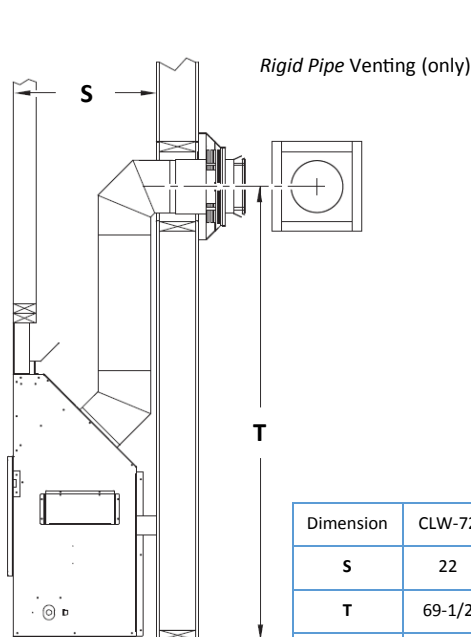
## Finishing Clearances



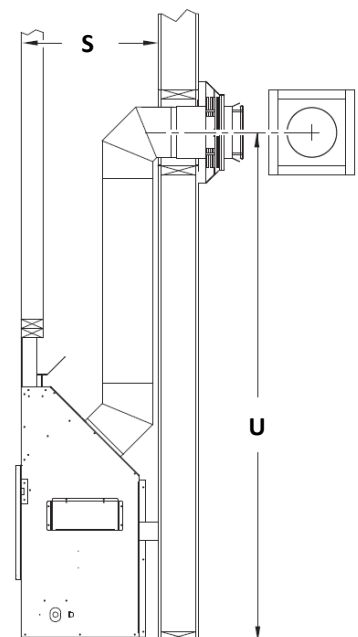
Dimension	CLW-72
N	39-5/8
O	21-1/8
P	6-3/8
Q	10-1/2
R	3/4

- Non-Combustible Material Only
- Combustible Material Allowed
- Combustible Material Allowed  
No screws allowed above framing

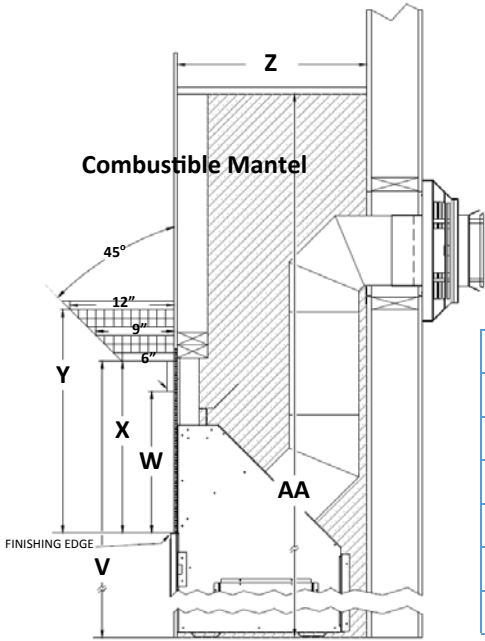
## Horizontal Termination Framing



Dimension	CLW-72
S	22
T	69-1/2
U	81-1/2



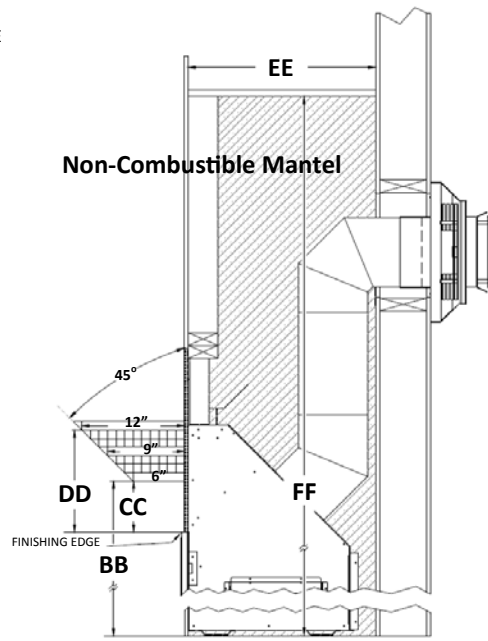
# Mantel Clearances - Standard Installation (NO optional Komfort Zone heat distribution kit)



NON-COMBUSTIBLE ZONE

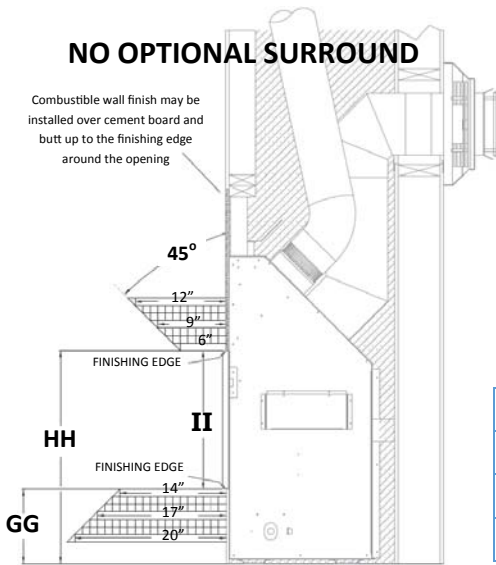
MANTEL PROJECTION:  
Each square represents 1" of projection

Dimension	CLW-72
V	48-1/4
W	16-1/2
X	20
Y	26
Z	22
AA	79-1/4



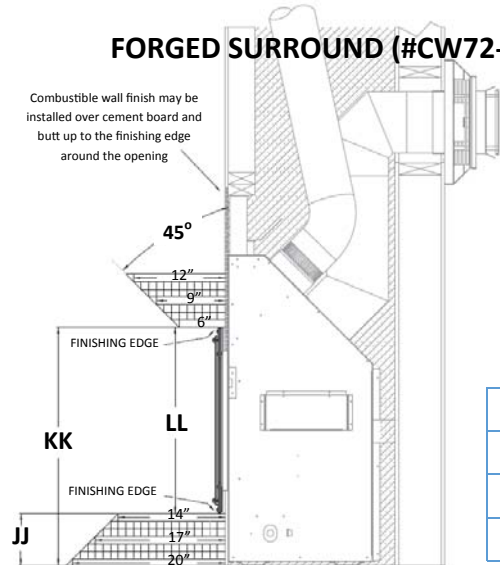
Dimension	CLW-72
BB	34-1/4
CC	6
DD	12
EE	22
FF	79-1/4

# Mantel & Hearth Clearances - Komfort Zone Kit Installed (#KZK-072)

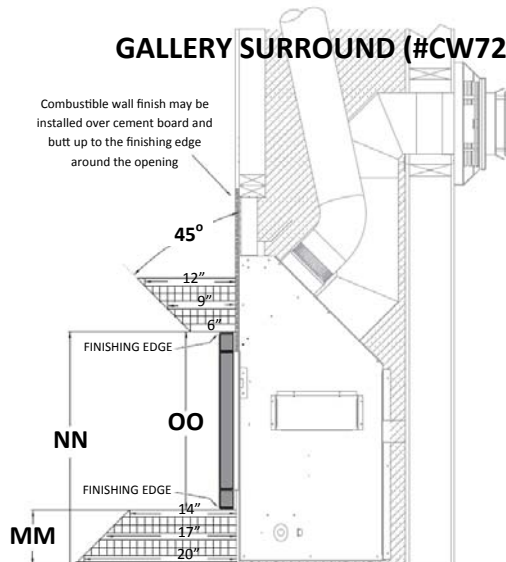


Each square represents 1" of projection

Dimension	CLW-72
GG	9-1/2
HH	28-1/8
II	18-3/8



Dimension	CLW-72
JJ	6-3/4
KK	31-1/2
LL	24-3/4

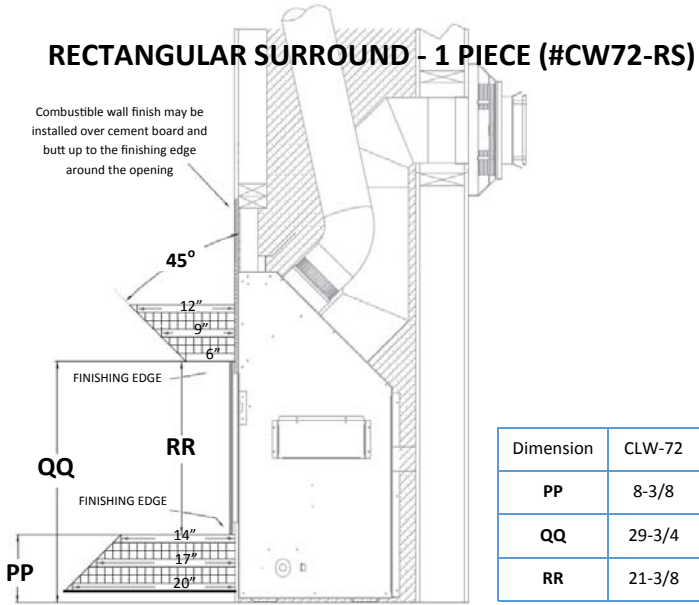


Dimension	CLW-72
MM	7-1/4
NN	30-7/8
OO	23-5/8

Additional mantel/hearth clearances on page 3

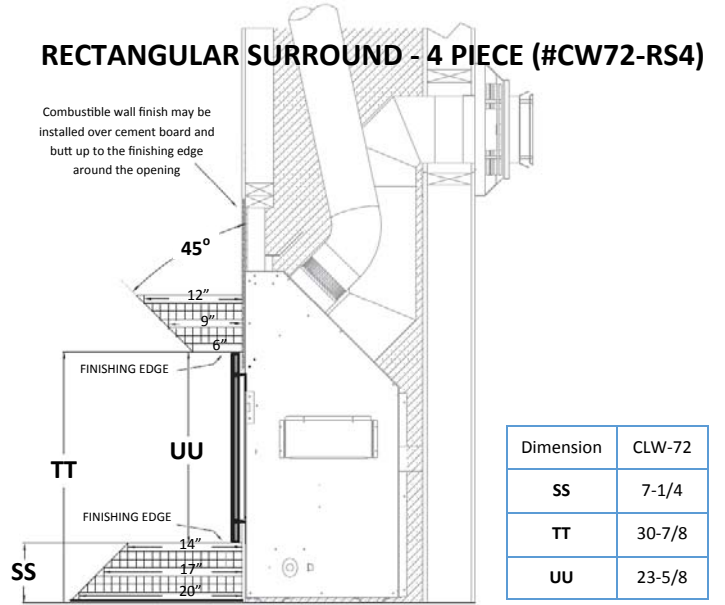
# Cont. Mantel & Hearth Clearances - Komfort Zone Kit Installed (#KZK-072)

## RECTANGULAR SURROUND - 1 PIECE (#CW72-RS)



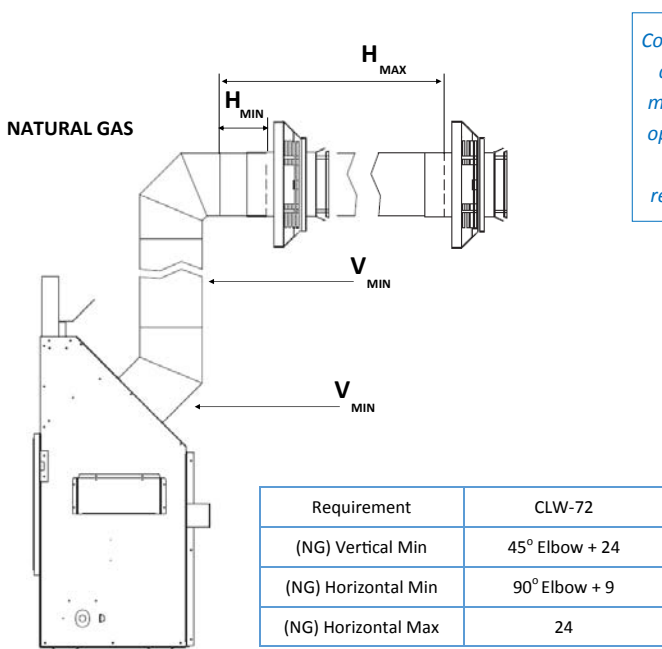
Dimension	CLW-72
PP	8-3/8
QQ	29-3/4
RR	21-3/8

## RECTANGULAR SURROUND - 4 PIECE (#CW72-RS4)

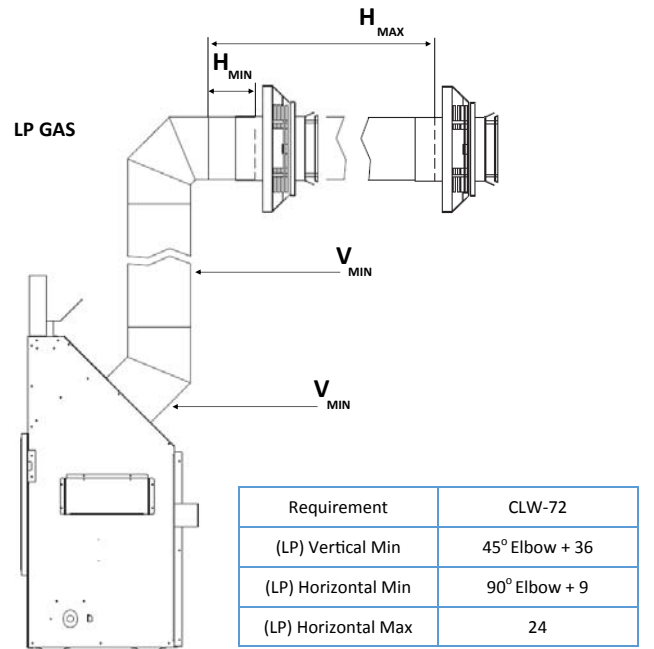


Dimension	CLW-72
SS	7-1/4
TT	30-7/8
UU	23-5/8

## Horizontal Venting *Minimum* Requirements



Requirement	CLW-72
(NG) Vertical Min	45° Elbow + 24
(NG) Horizontal Min	90° Elbow + 9
(NG) Horizontal Max	24



Requirement	CLW-72
(LP) Vertical Min	45° Elbow + 36
(LP) Horizontal Min	90° Elbow + 9
(LP) Horizontal Max	24

H = Horizontal  
V = Vertical