

CARLTON 46 & CARLTON 39

DIRECT VENT GAS FIREPLACES

Carlton 46 with rectangle Full screen front in Antique Copper with optional Black Glass panels.



QUALITY FIREPLACES FOR LIFE.

KOZY  HEAT
FIREPLACES



Carlton 46 shown with an Arched Mission screen front in Vintage Bronze and optional Black Glass panels

CARLTON SERIES

Safety Screen Fronts

Sizes shown below: Carlton 46 / Carlton 39



No Overlap – Inside Fit

Inside Fit Screen Front
with with optional Black Glass panels
Available in Black



Top Overlap & Side Overlap

Rectangle Full Screen Front
with optional Brick refractory
Available in Black



Top Overlap & Side Overlap

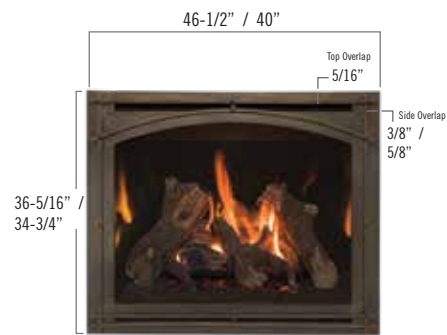
Rectangle Full Screen Front
in Antique Copper Overlay with optional
LedgeStone refractory
*Available in Antique Copper,
Brushed Nickel*

Carlton 39 shown with a Rectangle Full screen front and optional Ledge stone refractory



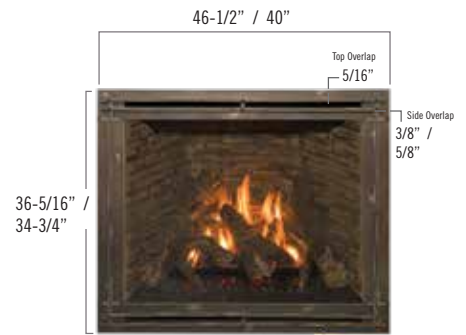
Top Overlap & Side Overlap

Prairie Screen Front
with optional Black Glass panels
Available in Black



Top Overlap & Side Overlap

Arched Mission Screen Front
in Vintage Bronze with optional Black
Glass panels
Available in Vintage Bronze



Top Overlap & Side Overlap

Mission Screen Front
in Vintage Bronze with optional
Ledge stone refractory
Available in Vintage Bronze



Carlton 46 shown with a Prairie screen front and optional LedgeStone refractory

CARLTON SERIES

Media & Refractory Options



Log Set with optional Traditional Brick Refractory



Log Set with optional Black Glass panels



Log Set with optional LedgeStone Refractory

Burn Videos



Carlton 46



Carlton 39

Carlton 39 with a Rectangle Full screen front in Black and optional Black Glass panels

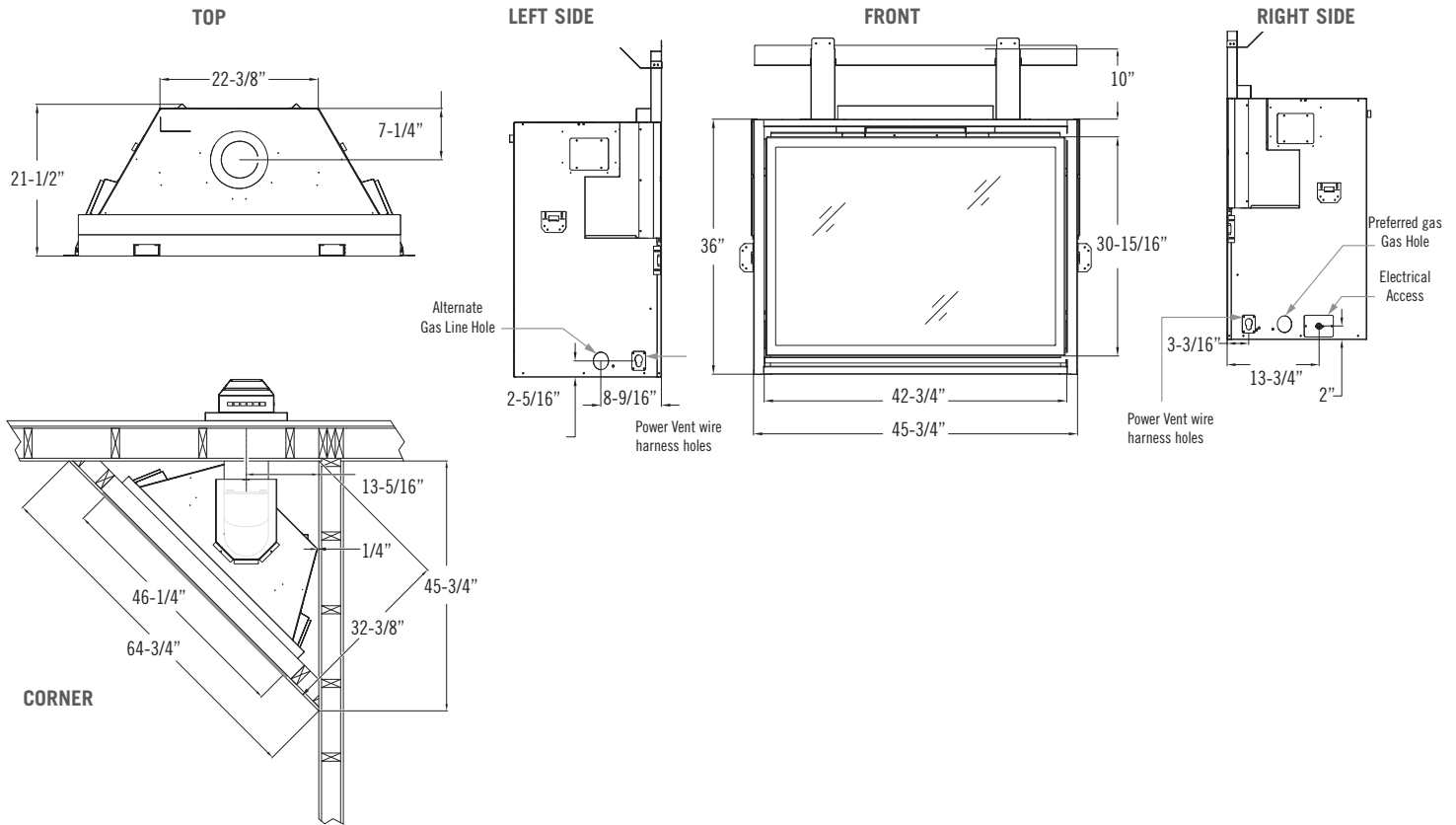


CARLTON SERIES

The Carlton 46 & 39 models come standard with an electronic ignition pilot & remote modulating valve system which will control flame, fan & light adjustment. (Remote control, fan & light kit included).

Specifications

Carlton 46



Clearances

Model	Carlton 46	Carlton 39
From appliance top stand-offs	0"	0"
From appliance left and right side stand-offs	0"	0"
From appliance back stand-offs	0"	0"
From appliance corners	1/4"	1/4"
From appliance front	36"	36"
Appliance top to fireplace enclosure top	30"	30"
Appliance sides to adjacent sidewall	2"	1-1/4"
Top of appliance to 3/4" trim	10"	10"
Mantel 10" deep from appliance top	14"	14"

Model	Carlton 46	Carlton 39
Height	36"	34-1/2"
Width	45-3/4"	38-3/4"
Depth	21-1/2"	22"
Weight	246 lbs.	215 lbs.
Viewing Area	27 1/2" x 39 7/16"	26 1/8" x 32 7/16"
NG High / Low	45,000 / 23,000	40,000 / 20,000
LP High / Low	45,000 / 23,000	40,000 / 20,000
ENERGUIDE P.4 NG / LP	70.74% / 75.52%	67.5% / 69.91%
Steady State NG / LP	73% / 76%	70% / 72%
AFUE % NG / LP	71% / 74%	67% / 70%
Valve System	IPI	IPI
Optional Refractory/Panels	Brick, Black Glass, LedgeStone	Brick, Black Glass, LedgeStone
Ceramic Glass	Standard	Standard
Ember Bed Light Kit	Standard	Standard
Fan Kit	Standard	Standard
Finishing Trim Kit	Standard	Standard
Heat Duct Kit(s)	Optional	Optional
Screen Front	Required	Required

Heat Management Options

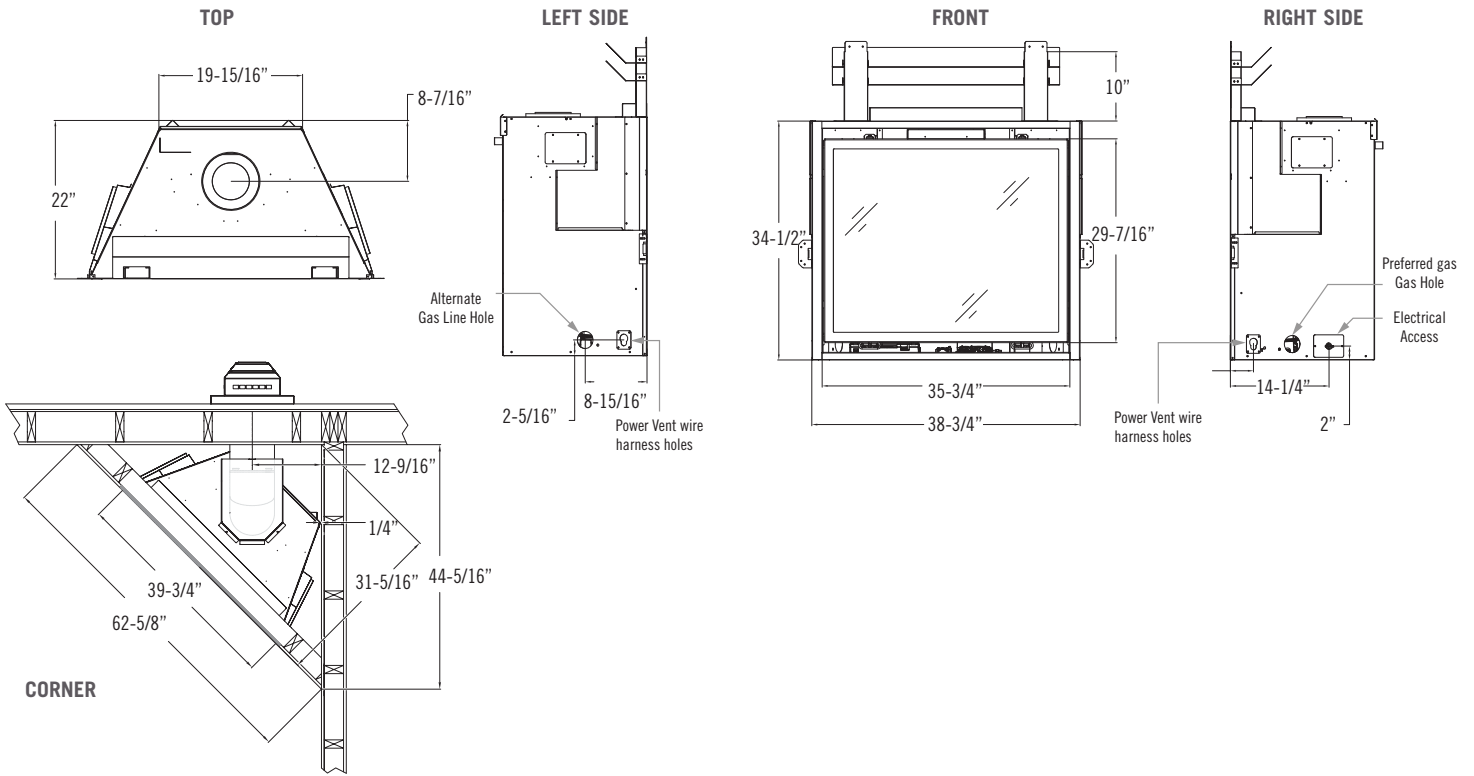
Model	Carlton 46	Carlton 39
Interior Heat Transfer Kit	Optional	Optional
Exterior Heat Transfer Kit	Optional	Optional

Each unit factory tested
 Certified to ANSI Z21.88 Vented Gas Heaters

Features, Options & Specifications are subject to change.

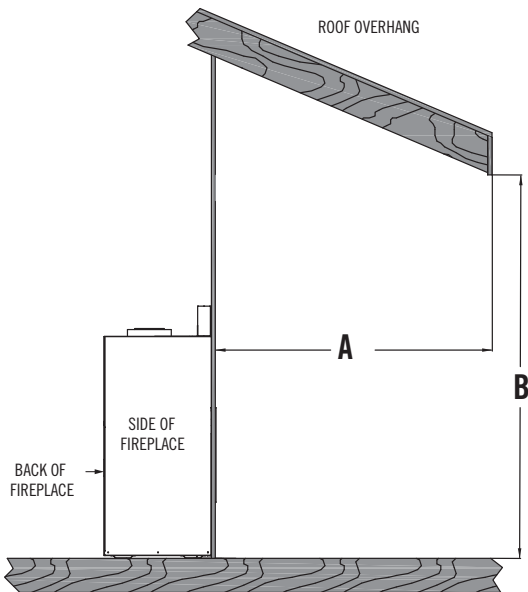
Refer to the installation manuals for complete installation & venting requirements.
 See additional mantel clearance configurations in the installation manual.

Carlton 39

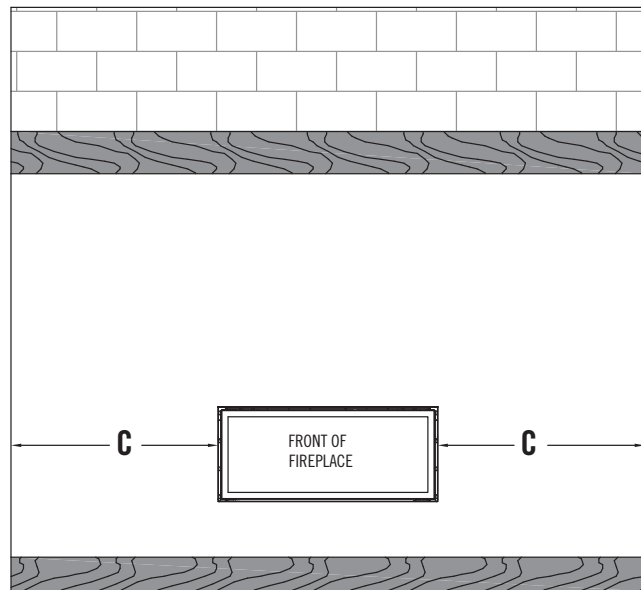


Outdoor Covered Fireplace Install

- Fireplace operation is approved from 40 degrees F to 110 degrees F
- All wiring connections shall be in accordance with outdoor requirements of NECA NFPA 70
- All clearances and requirements in your appliance manual must be adhered to



The overhang (A) must be a minimum of 1/2 or greater of the roofline elevation (B) above the base of the fireplace.



The width of the overhang to each side of the appliance (C) must be a minimum of 1/2 or greater of the roofline elevation (B) above the base of the fireplace.

EXAMPLE: If roofline (B) is 10 ft. above the base of the fireplace, the overhang (A) must be 5 ft. or greater. The width of the overhang to EACH side of the fireplace (C) must be 5 ft. or greater.



Carlton 39 shown with a Rectangle Full screen front with a Brushed Nickel overlay, and optional Black Glass panels

Fireplace brochures are for advertising purposes only. Refer to the specific fireplace manual for installation.

CARLTON SERIES






Remote Control



KOMFORT 8K™

The Komfort Control remote gives you the ability to bring comfort and green technology all together into your home. With the Komfort Control remote, all you have to do is decide a comfortable set point temperature on your remote and when the room temperature gets closer to the point you desire, the Komfort Control remote will turn the flames down accordingly! And with our zone heating, you can save energy and enjoy time in the room you use the most by just turning down the central heat, setting your Komfort Control remote, and enjoy your time around the fireplace with friends, family, or just a good book! That way you'll get to have heat where and when you need it while saving energy and money with just a click of the Komfort Control remote!

Remote control features:

-  Thermostat function
-  Flame height modulation
-  Fan speed modulation
-  Light kit modulation
-  IPI to continuous pilot

In order to continually provide the highest quality product available, features/options, specifications, & dimensions are subject to change. Flame appearance and characteristics may be affected by altitude, fuel type, venting configuration, and other factors. Refer to the unit installation manual for complete installation instructions. Installation must conform with local building codes. **In some regions it may be possible that this appliance qualifies for an energy rebate. See your local dealer for details regarding promotions and qualifications.**

Manufactured by Hussong Mfg. Co., Inc.
204 Industrial Park Road, Lakefield, MN 56150
Phone 1-800-253-4904 www.kozyheat.com

9-23



Product Line:



For complete information on the Kozy Heat product line, please contact us at:

FOR CALIFORNIA RESIDENTS ONLY

⚠ California Proposition 65 Warning

WARNING: This product can expose you to chemicals including Carbon Monoxide, that is an externally vented by-product of fuel combustion, which is [are] known to the State of California to cause birth defects or other reproductive harm. For more information, visit www.P65Warnings.ca.gov.