

QUALITY FIREPLACES FOR LIFE.

KOZY HEAT
FIREPLACES

Chaska 34 Log shown with a Rectangle screen front with an Antique Copper overlay, log set, custom 4-sided shroud and ember light kit

CHASKA 34, CHASKA 335S, CHASKA 29, CHASKA 25

GAS INSERTS

KOZY HEAT FIREPLACES | CHASKA 34, CHASKA 335S, CHASKA 29, CHASKA 25



Chaska 34 Rock shown with a Beveled screen front, rock media, custom 4-sided shroud and ember light kit



Chaska 34 Glass shown with a Rectangle screen front in Brushed Stainless, Glacier Crystal glass, Black Enamel, Beach Accent Kit and a custom 4-sided shroud

Chaska 34 Log shown with an Arched Prairie screen front, ember light kit and optional custom 4-sided Arched Shroud

THE CHASKA 34

Transform that cold, drafty fireplace with a clean efficient **Chaska 34** gas insert from Kozy Heat. The **Chaska** gas inserts are completely air tight and are the perfect solution to your existing wood fireplace. The **Chaska** gas inserts offer a large viewing area with our most realistic flame and log pattern yet. With three versions to choose from, the **Chaska 34** insert is available with a traditional log set, contemporary looking rock, or glass media models. The standard light kit (log and rock model) and standard accent lighting on the glass bead model will not only let you operate the fireplace without heat, but add that extra touch of realism that will soon make you forget that you are not burning wood anymore!





Chaska 29-MV shown with an Arched screen front and optional Arched Shroud



Chaska 335S shown with a Prairie screen front

Chaska 335S shown with a Rectangle screen front in Brushed Stainless

**THE CHASKA 335S MILLIVOLT
& CHASKA 29 MILLIVOLT**





Chaska 29 Rock shown with an Arched Mission screen front in Vintage Bronze, rock media and ember light kit



Chaska 29 Log shown with a Prairie screen front, ember light kit and optional Arched Shroud

Chaska 29 Glass shown with a Rectangle screen front with Amber Crystal glass, Black enamel and a Beach Accent Kit



Chaska 25 shown with an Arched
Prairie Full Door screen front





Chaska 25 shown with a Convex screen front

Chaska 25 shown with a Rectangle screen front

THE CHASKA 25

Tired of coming home to the inconvenience of a wood burning fireplace? Let the Kozy Heat **Chaska 25** gas insert solve your problems. The **Chaska 25** is a perfect fit, for both your space and your lifestyle. With the traditional look and the ease of a gas fireplace, it will bring you the best of both worlds. The **Chaska 25** gas insert is completely airtight and is the perfect solution to your inefficient wood fireplace. Why not have the reliability that you depend on and the look you love, all in one?



FIREPLACE OPTIONS

Fronts

Sizes shown below: Chaska 34 & 335S / Chaska 29 / Chaska 25



Rectangle screen front



Brushed Stainless Rectangle screen front



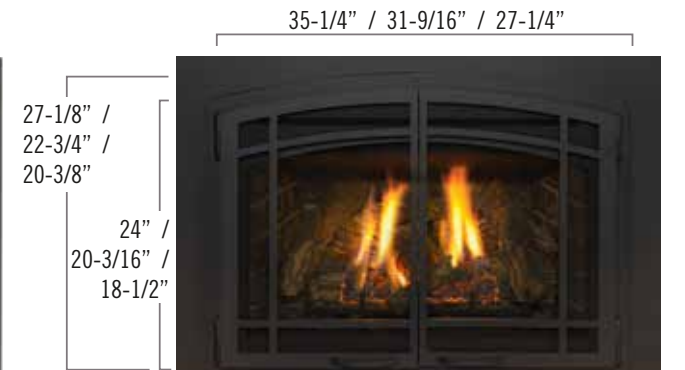
Rectangle Screen front with Brushed Nickel Overlay
(Not available for Chaska 25)



Convex screen front
Black & Brushed Stainless Only



Prairie screen front



Arched Prairie Full Door screen front
Black Only



Arched Mission screen front - Vintage Bronze



Arched Mission screen front - Weathered Charcoal



Rectangle Screen Front with Antique Copper Overlay
(Not available for Chaska 25)



Beveled screen front
Black Only



Arched Prairie screen front



Arched screen front

Refractory Options



Traditional Brick



Black enamel

Standard Black firebox

Finish Options



Black



Brushed Stainless



Antique Copper



Brushed Nickel

Decorative Finishes



Titanium
*Prairie fronts only,
excluding Doors*



Rust
*Prairie fronts only,
excluding Doors*



Vintage Bronze
Mission fronts only








Weathered Charcoal
Mission fronts only

Chaska 34, Chaska 29 & Chaska 25 Control



The Komfort Kontrol remote gives you the ability to bring comfort and green technology all together into your home. With the Komfort Kontrol remote, all you have to do is decide a comfortable set point temperature on your remote and when the room temperature gets closer to the point you desire, the Komfort Kontrol remote will turn the flames down accordingly! And with our zone heating, you can save energy and enjoy time in the room you use the most by just turning down the central heat, setting your Komfort Kontrol remote, and enjoy your time around the fireplace with friends, family, or just a good book! That way you'll get to have heat where and when you need it while saving energy and money with just a click of the Komfort Kontrol remote!

Remote control features:

-  Thermostat function
-  Flame height modulation
-  Fan speed modulation
-  Light kit modulation
-  IPI to continuous pilot

Chaska 29 Millivolt & Chaska 335S Optional Controls



Thermostat Remote or Deluxe On/Off Remote



Wired or Wireless Wall Mount Thermostat



Wireless wall switch

Glass Media

For the Chaska 34 Glass and Chaska 29 Glass only

Beads



Copper



Cobalt Blue

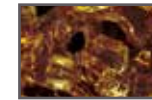


H2O

Crystals



Glacier



Amber



Black



Seabreeze

Optional Accent Media

For the Chaska 34 Glass and Chaska 29 Glass only



Diftwood/Rock



Beach Accent Kit

BURNING FLAME

Burn Videos



Chaska 34 Rock



Chaska 34 Crushed Glass
with a Beach Accent Kit



Chaska 34 Log



Chaska 335S



Chaska 29 Rock



Chaska 29 Glass



Chaska 29 Log



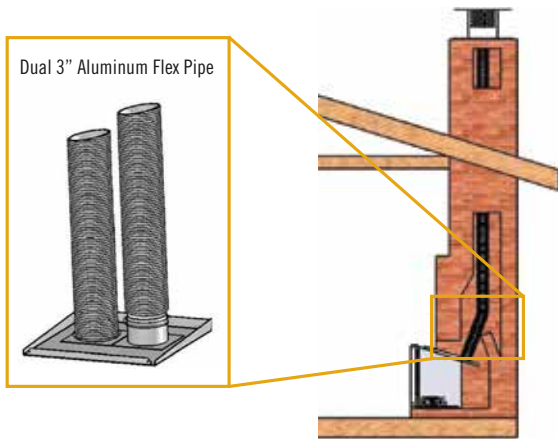
Chaska 25

Chaska 34 Rock shown with an Arched Mission screen front in Weathered Charcoal, rock media and ember light kit



Venting

A gas insert will help in eliminating the heat loss and cold down drafts that you have likely experienced from your existing fireplace and chimney. As the first company to introduce direct-vent technology to gas inserts, Kozy Heat inserts and fireplaces use 100% outside air for combustion. Our inserts and dual 3" aluminum flex venting structure create a sealed system and eliminates the potential of bringing smoke or fumes into the home. When compared to gas logs or "ventless" inserts, this is the safest and most efficient choice that you can make for your family.



Existing Fireplace Requirements

Each Unit Factory Tested

Chaska 34 & 335S

Existing Fireplace Opening must be at least:

- Height: 23-1/2"
- Width: 33-1/2"
- Back Width: 24-1/2"
- Depth: 16-3/8" (CSK-34)
- Depth: 16-1/2" (CSK-335S)

Existing Chimney:

Inside Diameter:

- Factory built solid fuel chimney: 7" min.
- Masonry chimney: 6" x 8" min.
- Minimum chimney height: 12'
- Maximum chimney height: 50'

Vertical Termination ONLY (Chaska 34 & Chaska 335s)

Minimum vent run: 12'

Maximum vent run: 50'

Vertical Termination ONLY (Chaska 25)

Minimum vent run: 10'

Maximum vent run 35'

Chaska 29

Existing Fireplace Opening must be at least:

- Height: 19-1/4"
- Width: 29-1/2"
- Back Width: 18-7/8"
- Depth: 15"

Existing Chimney:

Inside Diameter:

- Factory built solid fuel chimney: 7" min.
- Masonry chimney: 6" x 8" min.
- Minimum chimney height: 10'
- Maximum chimney height: 50'

Vent System Approval & Requirements

These models are approved for use with the following Vent Systems rigid and flexible pipe::

- Kozy Heat™ - #816 venting
- Simpson Dura-Vent™
- Selkirk Metalbestos™
- Ameri-Vent™
- ICC™

Chaska 25

Existing Fireplace Opening must be at least:

- Height: 17-5/8"
- Front Width: 25-7/8"
- Back Width: 20-5/8"
- Depth: 15-1/4"

Existing Chimney:

Inside Diameter:

- Class 'A' metal: 7" I.D.
- Masonry Chimney: 6" x 8" I.D.
- Minimum chimney height: 10'
- Maximum chimney height: 35'

Shroud Dimensions

*Shroud is Required for Installation

Chaska 34 & 335S

27" x 40"

30" x 44"

33" x 46"

34" x 44" Arched

*Custom sizes available where applicable

Chaska 29

25" x 38"

27-1/2" x 42"

30" x 44"

28" x 38 Arched

*Custom sizes available where applicable

Chaska 25

22-1/2" x 36"

25" x 38"

30" x 44"

*Custom sizes available where applicable

SPECIFICATIONS

The Chaska 34 (CSK 34-L, CSK 34-G & CSK 34-R), Chaska 29 (CSK 29-L, CSK 29-G & CSK 29-R) and Chaska 25 come standard with an Electronic Ignition Pilot System. The included Komfort Kontrol remote will adjust the flame and fan speed. The Chaska 335S model comes standard with a millivolt operating system, refractory brick lining & fan kit. The Chaska 29 model offers an optional millivolt operating system, refractory brick lining & fan kit.

Model	Chaska 34 IPI	Chaska 335S	Chaska 29 Log & Rock	Chaska 29 Glass	Chaska 29 MV	Chaska 25
Height	23"	23"	19-1/4"	19-1/4"	19-1/4"	17-1/2"
Width	33-3/8"	33-3/8"	29"	29"	29"	25-3/8"
Back Width	24-3/8"	24-3/8"	18-7/8"	18-7/8"	18-7/8"	20-3/8"
Depth	16"	16"	14-1/2"	14-1/2"	14-1/2"	15"
Weight	150 lbs.	150 lbs.	140 lbs	140 lbs	140 lbs	140 lbs
Viewing Area	30-1/8" X 17-13/16"	29-5/8" X 15-13/16"	26-1/8" X 12-7/8"	26-1/8" X 12-7/8"	26-1/8" X 12-7/8"	22-1/8" X 12-5/16"
BTU NG High / Low	34,000 / 18,500	36,000 / 22,000	30,500 / 16,000	25,500 / 14,000	28,500 / 18,500	26,000 / 13,500
BTU LP High / Low	34,000 / 18,500	36,500 / 22,000	30,000 / 16,000	25,500 / 13,500	29,000 / 22,000	25,500 / 13,000
ENERGUIDE P.4 NG / LP	73.22% / 76.49%	65.74% / 66.63%	72.27% / 72.36%	60.8% / 63.21%	71.26% / 71.33%	71.44% / 72.08%
Steady State NG / LP	77% / 79%	80% / 75%	74% / 74%	72.21% / 72.26%	74% / 74%	77.58% / 78.17%
AFUE % NG / LP	75% / 77%	73.8% / 76.2%	71% / 72.12%	66.62% / 66.09%	71% / 72.12%	69.79% / 70.33%
Valve System	IPI - Standard on all Versions	Millivolt	IPI - Standard on all Versions	IPI - Standard on all Versions	Millivolt	IPI
Standard Refractory	Brick (CSK 34-L)	Brick	Brick (CSK 29-L)	Black Enamel	Brick	Brick
Standard Black Enamel Refractory	(CSK 34-R) Back curved black panel (CSK 34-G) Optional (CSK 34-L)	N/A	(CSK 29-R) Optional (CSK 29-L)	Standard	N/A	N/A
Ember Light Kit	Standard (CSK 34-L, CSK 34-R)	N/A	Standard	N/A	N/A	N/A
Accent Light Kit	Standard (CSK 34-G)	N/A	N/A	Standard	N/A	N/A
Glass Media	Required (CSK 34-G)	N/A	N/A	Required	N/A	N/A
Ceramic Glass	Standard	Standard	Standard	Standard	Standard	Standard
Fan Kit Availability	Standard for All Versions	Standard	Standard for All Versions	Standard	Standard	Standard
Screen Front	Required	Required	Required	Required	Required	Required

Features, Options & Specifications are subject to change.

Clearances

Model	Chaska 34	Chaska 335S	Chaska 29 Log & Rock	Chaska 29 Glass	Chaska 29 MV	Chaska 25
From insert to combustible floor in front	Refer to chart in manual	Refer to chart in manual	Refer to chart in manual	Refer to chart in manual	Refer to chart in manual	Refer to chart in manual
From insert to side wall	6"	12"	6"	6"	6"	3"
Mantel 9" deep from top of insert*	16"	16"	16"	16"	16"	9"

Refer to the installation manuals for complete installation & venting requirements. See additional mantel clearance configurations in the installation manual.

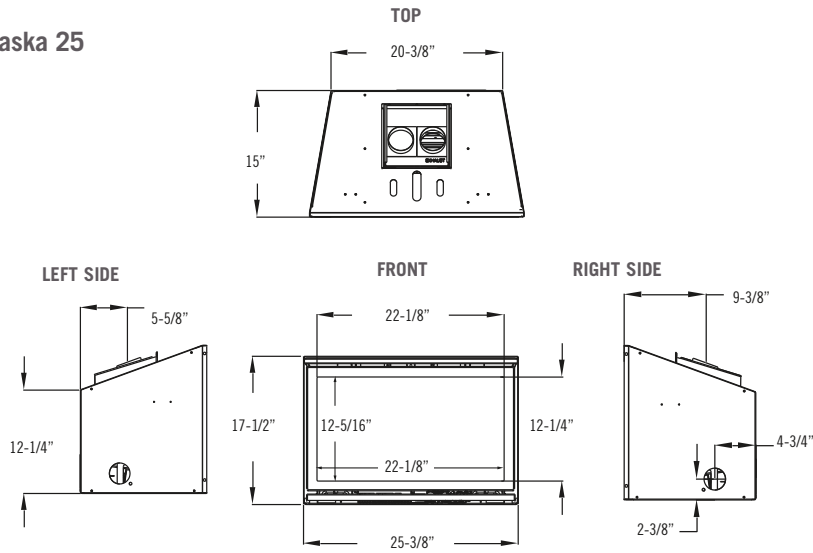
Note: Over time, antique copper will react with oxygen, heat, and other aspects of the environment and naturally change color, or patina.

Each unit factory tested
Certified to ANSI Z21.88 Vented Gas Heaters

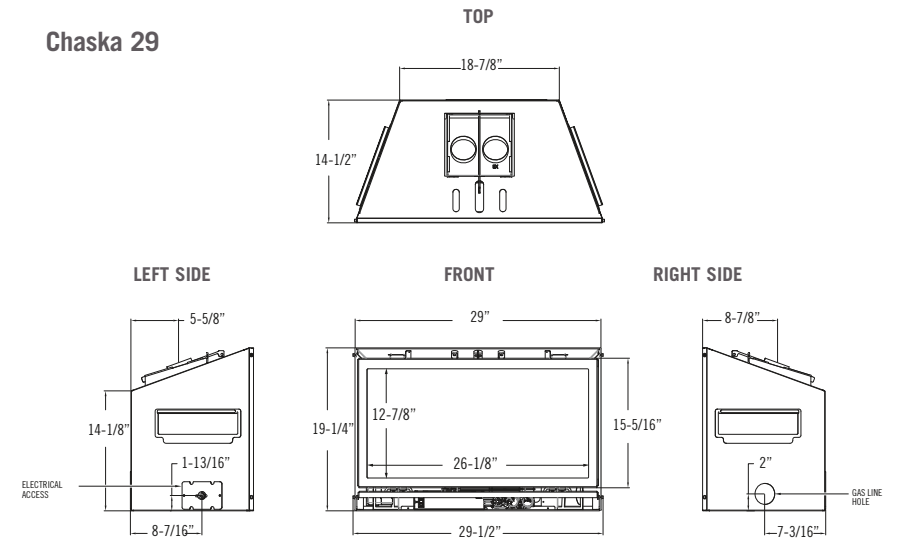
SPECIFICATIONS

Fireplace brochures are for advertising purposes only. Refer to the specific fireplace manual for installation.

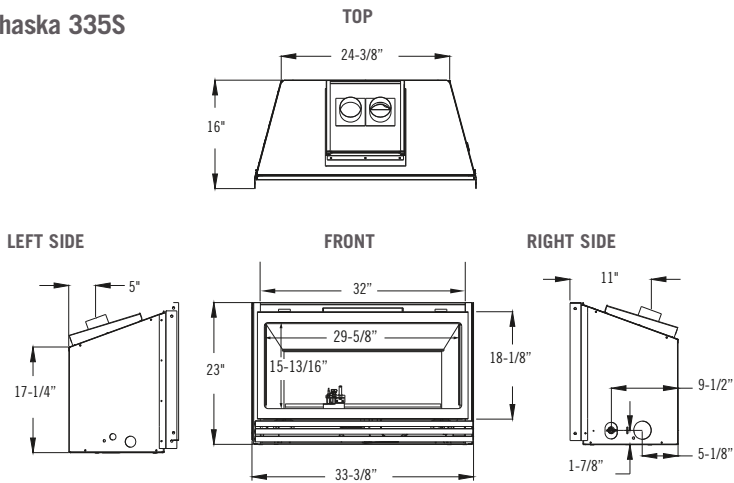
Chaska 25



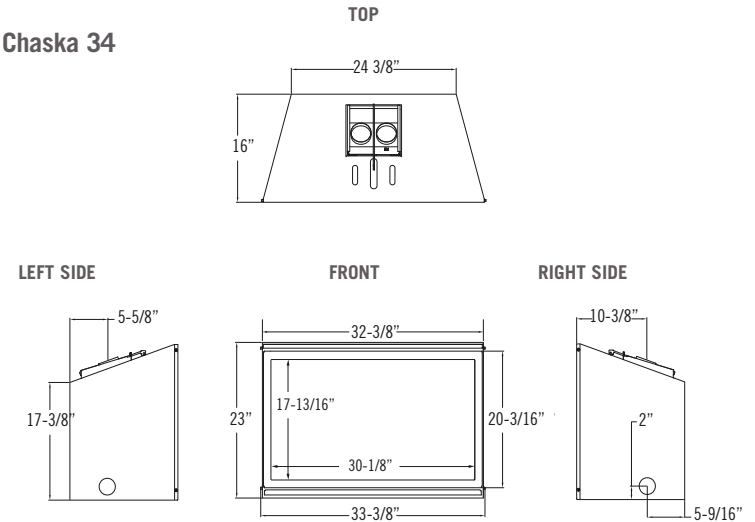
Chaska 29



Chaska 335S



Chaska 34



In order to continually provide the highest quality product available, features/options, specifications & dimensions are subject to change. Refer to the unit installation manual for complete installation instructions. Installation must conform with local building codes. **In some regions it may be possible that this appliance qualifies for an energy rebate. See your local dealer for details regarding promotions and qualifications.**

Manufactured by Hussong Mfg. Co., Inc.
204 Industrial Park Drive, Lakefield, MN 56150
Phone 1-800-253-4904 www.kozyheat.com

8-18



Product Line:



For complete information on the Kozy Heat product line, please contact us at:

FOR CALIFORNIA RESIDENTS ONLY

California Proposition 65 Warning

WARNING: This product can expose you to chemicals including Carbon Monoxide, that is an externally vented by-product of fuel combustion, which is [are] known to the State of California to cause birth defects or other reproductive harm. For more information, visit www.PS5Warnings.ca.gov.