


NORTHERN FIRELIGHTS

Model: # PFT-40

OUTDOOR DECORATIVE GAS APPLIANCE

! WARNING: For Outdoor Use Only.

<p>! DANGER</p>	<h3>CARBON MONOXIDE HAZARD</h3>
	<p>This appliance can produce carbon monoxide which has no odor. Using it in an enclosed space can kill you. Never use this appliance in an enclosed space such as a camper, tent, car, or home.</p>

<p>! DANGER IF YOU SMELL GAS: Shut off gas to the appliance. Extinguish any open flame. If odor continues, keep away from the appliance and immediately call your gas supplier or fire department.</p>
--

<p>! WARNING: Do not store or use gasoline or other flammable vapors and liquids in the vicinity of this or any other appliance. An LP-cylinder not connected for use shall not be stored in the vicinity of this or any other appliance.</p>
--

<p>! WARNING: Improper installation, adjustment, alteration, service or maintenance can cause injury or property damage. Read the installation, operating, and maintenance instructions thoroughly before installing or servicing this equipment.</p>
--

	<p>We recommend that our gas hearth products be installed and serviced by professionals who are certified in the U.S. by the National Fireplace Institute® (NFI) as NFI Gas Specialists.</p>
---	--

INSTALLER: Leave this manual with the appliance.
CONSUMER: Retain this manual for future reference.

HUSSONG MANUFACTURING CO., INC.
P.O. BOX 577
204 INDUSTRIAL PARK DR.
LAKEFIELD, MN. 56150

<p>Tested & Listed By</p>		<p>Portland Oregon USA</p>
<p>OMNI-Test Laboratories, Inc.</p>		
<p>Report No. 216-O-40-6.5</p>		
<p>MAY 2013 PFT-40-REV-01</p>		

TABLE OF CONTENTS

<u>CONTENTS</u>	
Table of Contents	1
<u>SAFETY INFORMATION</u>	
Safety Information	2
<u>GENERAL INFORMATION</u>	
General Information	3
<u>ADDITIONAL COMPONENTS REQUIRED</u>	
Additional Components Required	3
<u>OPTIONAL ACCESSORIES</u>	
Optional Accessories	3
Installation Overview	3
<u>DIMENSIONS</u>	
Dimensions	4
<u>SPECIFICATIONS</u>	
Determining Outdoor Location	5
Clearances to Combustibles	5
<u>ASSEMBLY</u>	
Assembly	6-16
Propane Cylinder	15
<u>FUEL GAS CONVERSION</u>	
Fuel Gas Conversion	17
<u>LIGHTING AND SHUTDOWN</u>	
Lighting and Shutdown	18
<u>MAINTENANCE</u>	
Flame Appearance	19
Cleaning	19
Inspecting	19
<u>OPTIONAL GLASS WIND GUARD</u>	
Optional Glass Wind Guard	20
<u>OPTIONAL COLOR CHANGING LED LIGHT KIT</u>	
Optional Color Changing LED Light Kit	21-22
<u>REPLACEMENT PARTS LIST</u>	
Replacement Part List	23
<u>WARRANTY</u>	
Warranty	24

SAFETY INFORMATION

- **THIS APPLIANCE IS HOT WHEN OPERATING AND CAN CAUSE SEVERE BURNS IF CONTACTED.**
- Do not operate appliance before reading and understanding operating instructions. Failure to operate appliance according to operating instructions could cause fire or injury.
- Installation and repair should be done only by a qualified service person. The appliance should be inspected before use and at least annually by a qualified service person. More frequent cleaning may be required as necessary. It is imperative the control compartment, burners and circulating air passageways of the appliance are kept clean.
- Provide adequate clearance for servicing and operation.
- This appliance shall be used **ONLY** outdoors in a well-ventilated space and shall **NOT** be used inside a building, garage, or any other enclosed area.
- This appliance must be installed in such a manner that proper air ventilation is maintained without obstruction at all times, and during all weather conditions.
- Improper installation, adjustment, alteration, service, or maintenance can cause injury or property damage. Read the installation, operating and maintenance instructions thoroughly before installing or servicing this equipment.
- Do not sit or place any part of the body or combustible materials on the appliance.
- Children and adults should be alerted to the hazards of high surface temperatures and should stay away to avoid burns or clothing ignition.
- Young children should be carefully supervised when they are in the area of the appliance.
- Clothing or other flammable materials should not be hung from the appliance, or placed on or near the appliance.
- Risk of burns. The appliance should be turned off and cooled before servicing.
- Do not leave unattended when in use.
- Solid fuels shall not be burned in this appliance.
- Do not operate appliance in the rain.
- Do not locate appliance where it can get excessively wet.
- Do not use this appliance if any part has been under water. Immediately call a qualified service technician to inspect the appliance and to replace any part of the control system and any gas control, which has been under water.
- To extend the life of your appliance, protect and cover it from the elements when not in use.
- Storage of this appliance indoors is permissible only if it has been disconnected from its fuel supply.
- Always keep the appliance area clear and free from combustible materials, gasoline, and other flammable vapors and liquids.
- Any guard or other protective device removed for servicing the appliance shall be replaced prior to operating this appliance.
- The burner must be replaced prior to the appliance being put into operation if it is evident the burner is damaged. Replacement burner #PF40-035 as supplied by Hussong Mfg. must be used.
- Properly locate gas hose out of pathways where people may trip or where gas hose may be subject to damage.
- Inspect hose before each use of appliance.
- The hose assembly must be replaced prior to the appliance being put into operation if there is evidence of excessive abrasion or wear, or if the hose is damaged. Replacement hose assembly #600-206 as supplied by Hussong Mfg. must be used.
- Do not install damaged, incomplete or substitute components.

GENERAL INFORMATION

This fireplace has been tested by OMNI-Test Laboratories, Portland, Oregon and complies with:

ANSI Z21.97-2012 • CSA 2.41-2012, “Standard for Outdoor Decorative Gas Appliances.”
CAN/CGA 2.17-M91 (R2009), “Gas-Fired Appliance for Use at High Altitudes.”

CODE AND SUPPLY REQUIREMENTS: When an appliance is for connection to a fixed piping system, the installation must conform with local codes, or in the absence of local codes with the *National Fuel Gas Code, ANSI Z223.1/NFPA 54; International Fuel Gas Code, Natural Gas and Propane Installation Code, CSA B149.1; or Propane Storage and Handling Code, B149.2*, as applicable.

The appliance, when installed, must be electrically grounded in accordance with local codes, or in the absence of local codes with the *National Electrical Code, ANS/NFPA 70; or the Canadian Electrical Code, CSA C22.1*, if applicable.

For appliances for use with a fixed fuel piping system and equipped with an appliance gas pressure regulator, the appliance and its individual shutoff valve must be disconnected from gas supply piping system during any pressure testing of that system at pressures in excess of ½ psi (3.5 kPa).

The appliance must be isolated from the gas supply piping system by closing its individual manual shut-off valve during any pressure testing of the gas line at test pressures equal to or less than ½ psi (3.5 kPa).

STATE OF MASSACHUSETTS:

Installation and repair must be done by a plumber or gas fitter licensed in the Commonwealth of Massachusetts.
Flexible connectors shall not exceed 36 inches in length.
The appliances individual manual shut-off must be a T-handle type valve.

	LP GAS	NATURAL GAS
MAXIMUM INLET GAS PRESSURE	11" WC (2.74 kPa)	7" WC (1.74 kPa)
BURNER ORIFICE SIZE	#50	#41
BTU/HR	40,000 BTU/hr (11.72 kW/hr)	40,000 BTU/hr (11.72 kW/hr)

WARNING

This appliance is manufactured for use with LP Gas. If converting to Natural Gas, contact a licensed plumber or gas fitter to perform the necessary tasks required to connect appliance to Natural Gas supply and convert appliance to Natural Gas.

ADDITIONAL COMPONENTS REQUIRED

- 20 lb. (9.1 kg) propane cylinder constructed and marked in accordance with the *U.S. D.O.T. Specifications for LP-Gas Cylinders*, or the *Standard for Cylinders, Spheres and Tubes for Transportation of Dangerous Goods and Commission, CAN/CSA B399*.
- Tile Kit. Purchased Separately.

NOTE

Porcelain tile is recommended for all outdoor applications.
Tile Trim Kit (included) is designed to accommodate 1/4" (6mm) thick porcelain tile.

OPTIONAL ACCESSORIES

- Media Tray Cover
- Wind Guard Kit (2 styles available. See dealer for details).
- Color Changing LED Light Kit

NOTE

If installing optional Color Changing LED Light Kit, do so in conjunction with assembling this appliance. If installing at a later date, some disassembly will be required.

DIMENSIONS

TABLE TOP

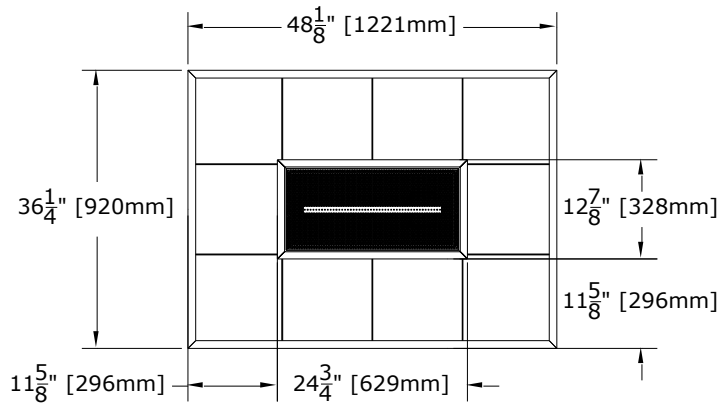


Figure 4a

23" (584mm) BASE KIT (P40-23B)

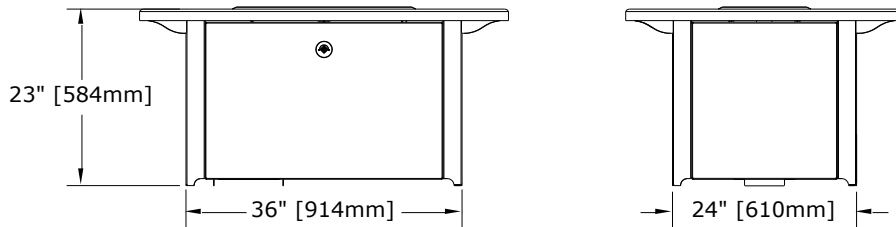


Figure 4b

30" (762mm) BASE KIT (P40-30B)

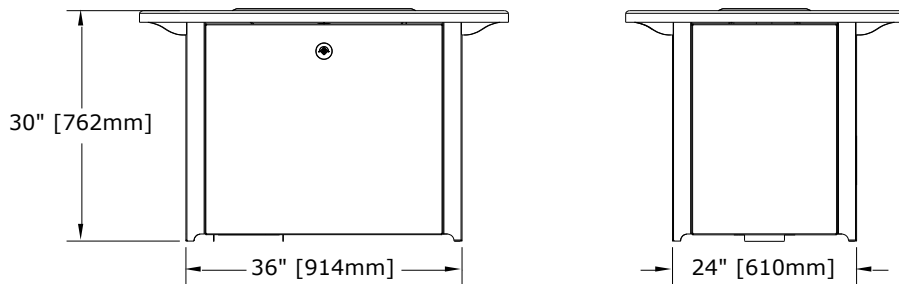


Figure 4c

42" (1067mm) BASE KIT (P40-42B)

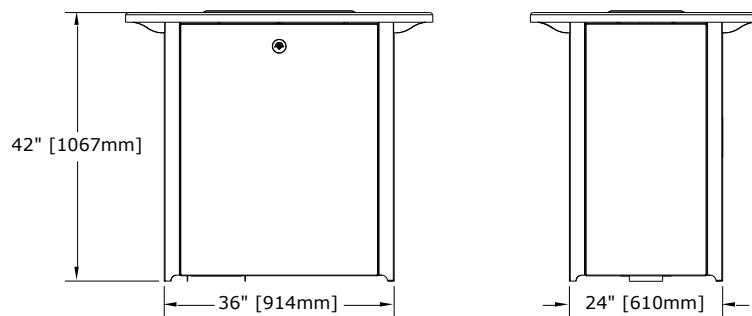
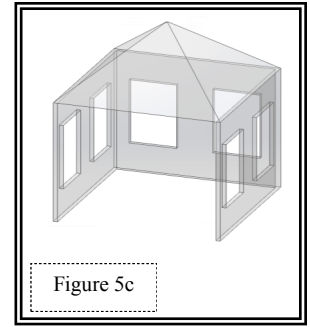
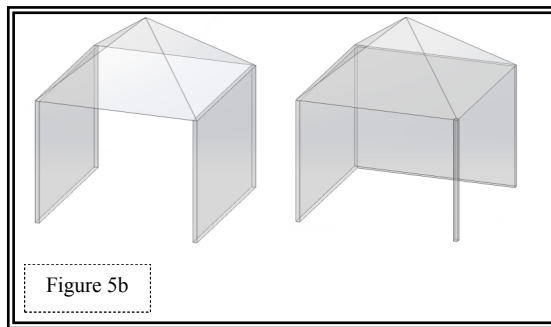
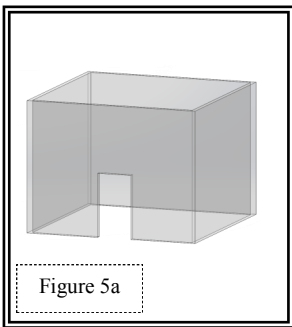


Figure 4d

SPECIFICATIONS

DETERMINING OUTDOOR LOCATION

1. When selecting a location, ensure all clearances are met as specified below. Other clearances may apply.
2. This appliance must be installed in an open-air situation with natural ventilation, without stagnant areas, where gas leakage and products of combustion are rapidly dispersed by wind and natural convection.
3. Typically an outdoor space is not enclosed but, any enclosure in which the appliance is used shall comply with one of the following:
 - An enclosure with walls on all sides, but at least one permanent opening at ground level and no overhead cover. (Figure 5a).
 - Within a partial enclosure that includes an overhead cover and no more than two walls. (Figure 5b).
 - Within a partial enclosure that includes an overhead cover and more than two walls, the following shall apply:
 - a) At least 25% of the total wall area is completely open, and
 - b) At least 30% of the remaining wall area is open and unrestricted. (Figure 5c).

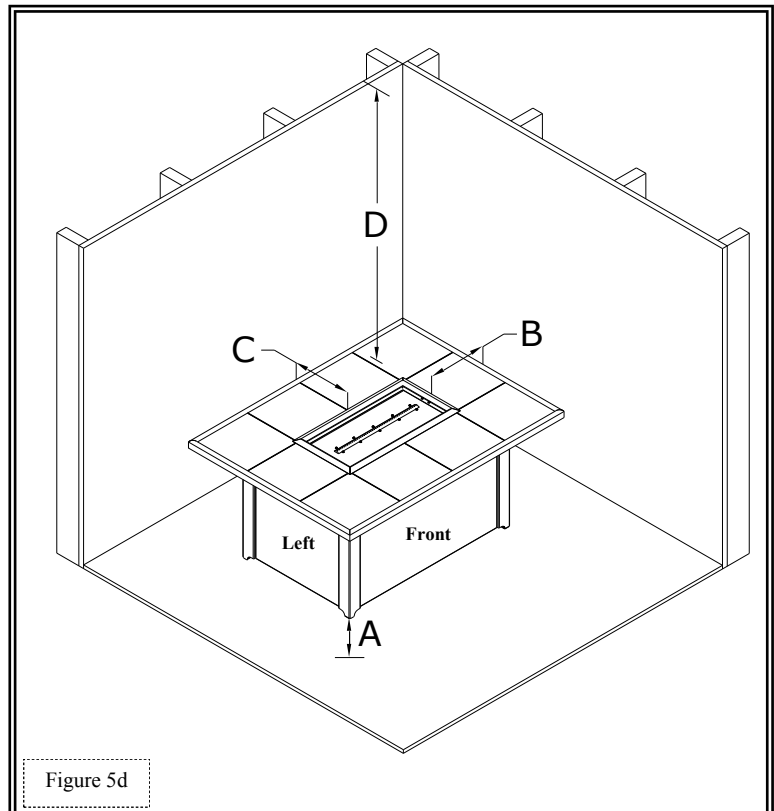


CLEARANCES TO COMBUSTIBLES

A	Ground or other surface	0" (0mm)
B	Side Wall	11-5/8" (296mm)
C	Back Wall	11-5/8" (296mm)
D	Unit top to ceiling	44" (1118mm)

NOTE

Provide adequate clearances on left side of appliance (access panel door) for proper operation and maintenance purposes.



ASSEMBLY

MAIN ASSEMBLY PARTS LIST

Code	Description
A	Burner / Valve Train Assembly
B	Tile Kit (purchased separately)
C	Tile Alignment Brackets
D	Tile Tray Trim Kit
E	Tile Tray
F	Tile Tray Brackets
G	Legs
H	Back Side Panel
I	Left Side Panel /Cylinder Access Door
J	Right Side Panel
K	Front Side Panel
L	Valve Key Assembly
M	LP Cylinder Pedestal
N	Glass Media (not shown)
O	Leveling Bolts (not shown)

HARDWARE

Qty.	Description
50	Screws
16	1/4-20 flange nuts

TOOLS REQUIRED

7/16 nut driver
1/4 nut driver

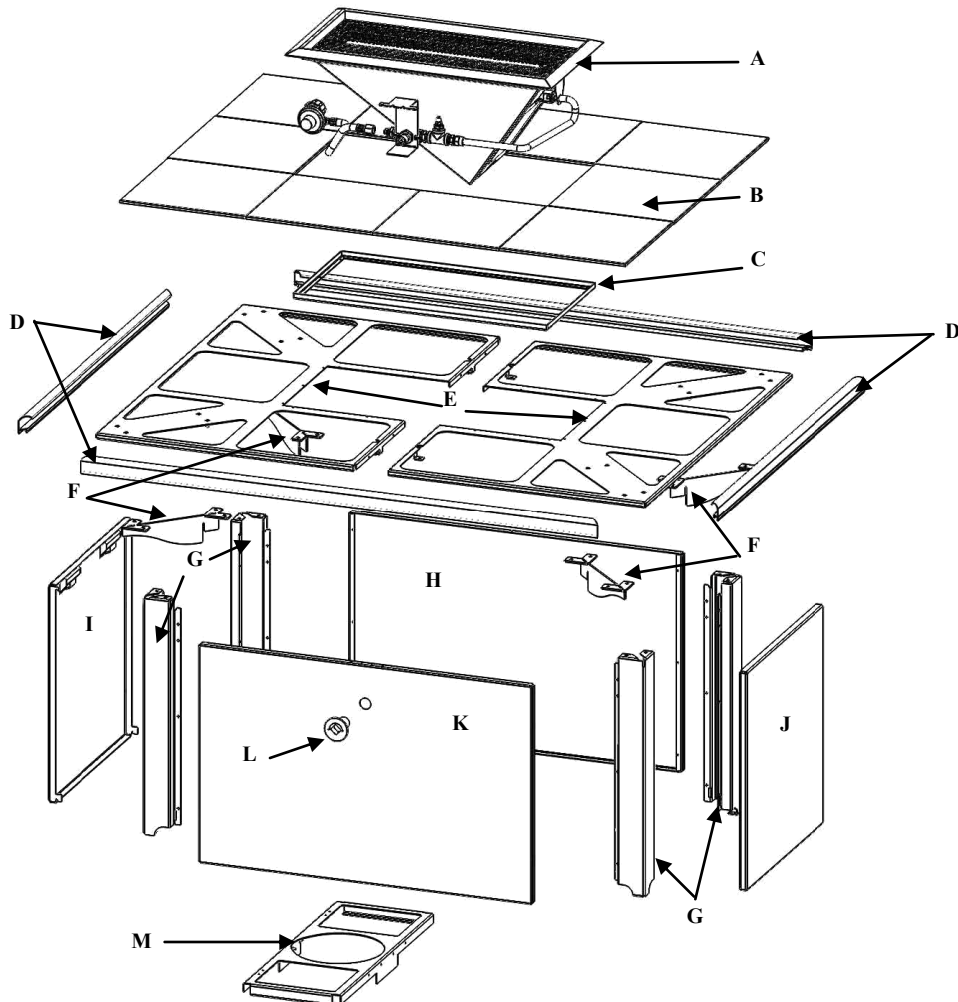


Figure 6a

ASSEMBLY

STEP 1.

Secure tile tray sections together with (4) screws.

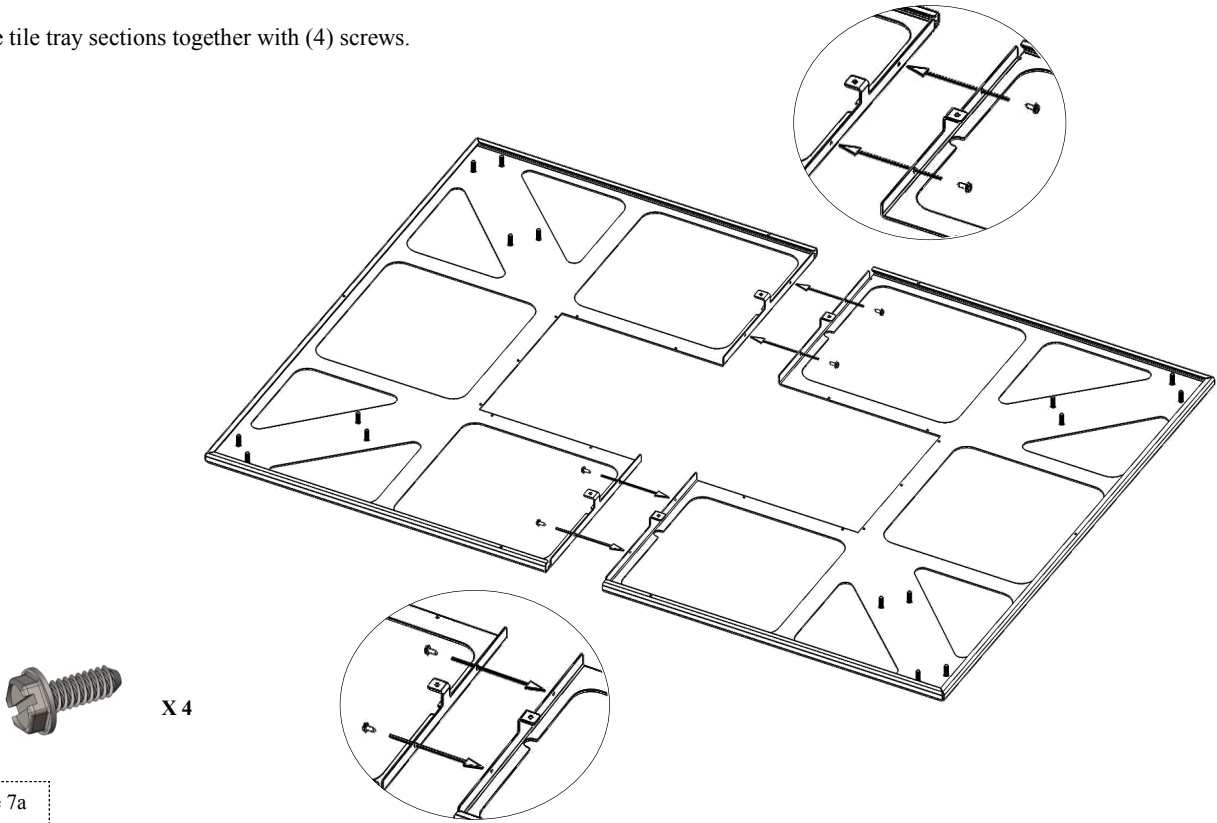


Figure 7a

STEP 2.

Position tile tray brackets over mounting studs.
Do not secure at this time.

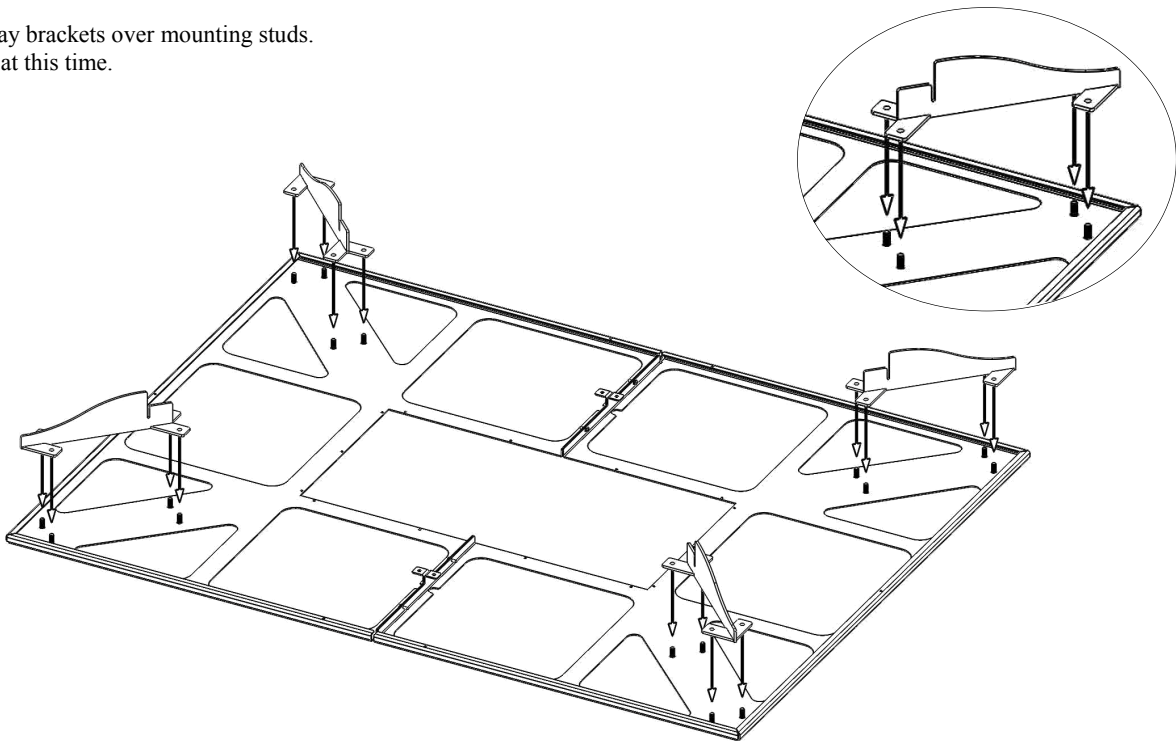


Figure 7b

ASSEMBLY

STEP 3.

Position legs over mounting studs / tile tray brackets as shown. Secure tile tray brackets and legs with flange nuts (4 ea. leg/ tile bracket).

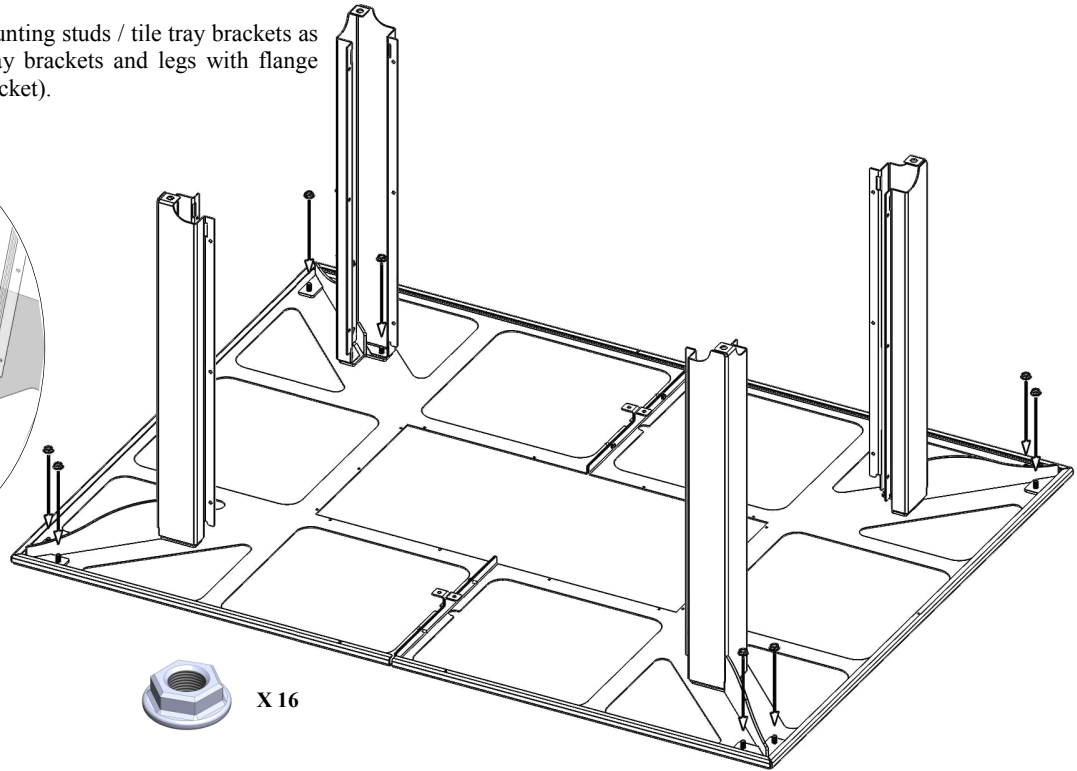
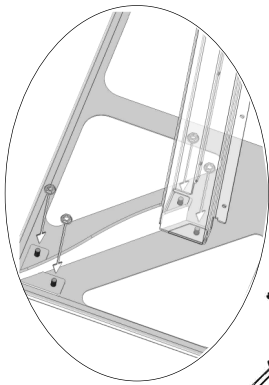


Figure 8a

STEP 4.

Locate back panel (without valve key assembly hole). Secure to back legs using (6) screws, making sure flange end with (2) holes is positioned next to tile tray as shown.

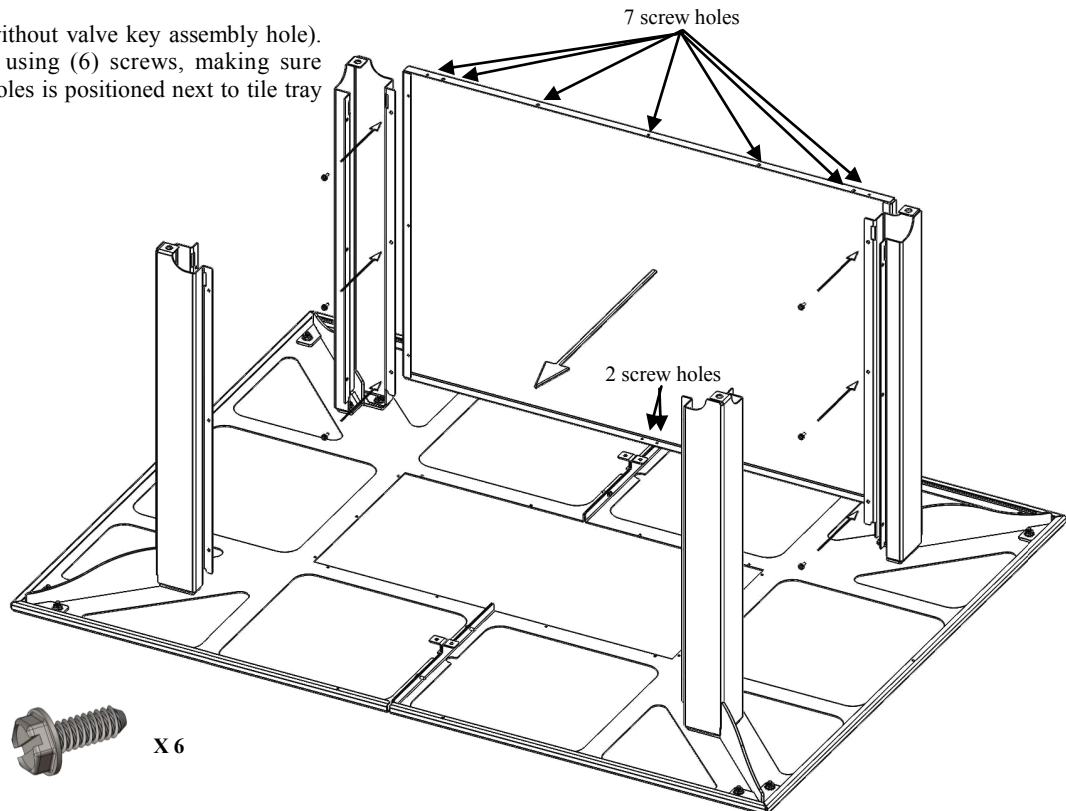


Figure 8b

ASSEMBLY

STEP 5.

Locate left panel. Secure to legs using (6) screws, making sure flange end with no holes is positioned next to tile tray as shown.

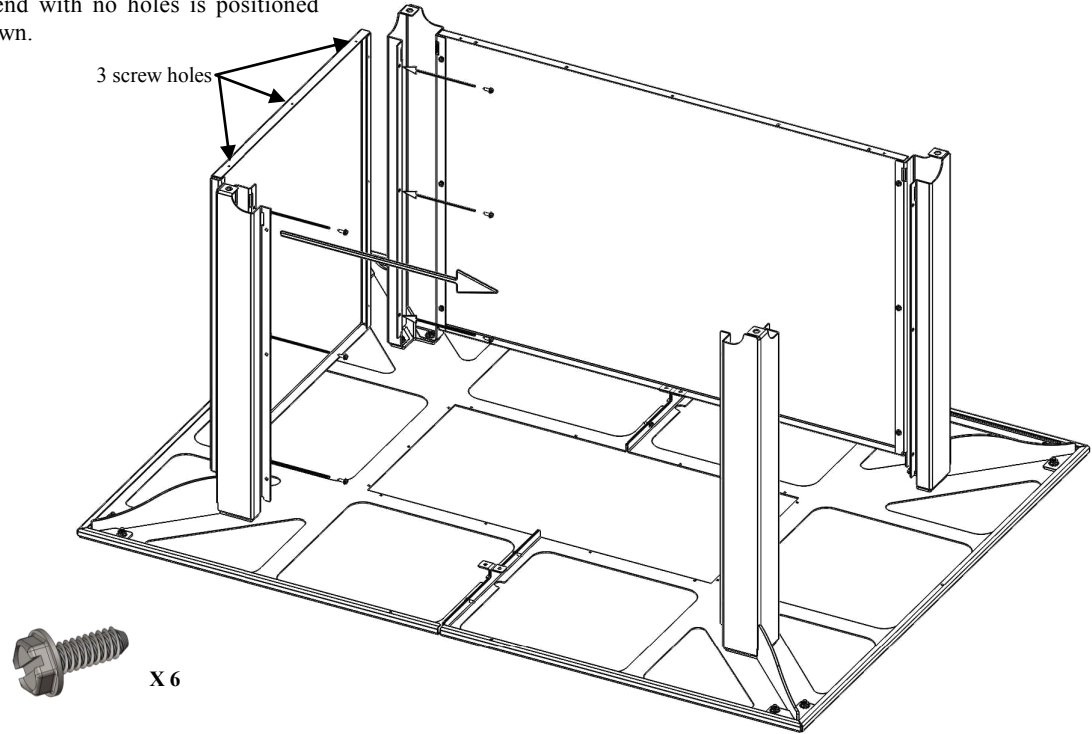


Figure 9a

STEP 6.

Locate front panel (with valve key assembly hole). Secure to front legs using (6) screws, making sure flange with (2) holes is positioned next to tile tray as shown.

NOTE: Image rotated 180° from previous images.

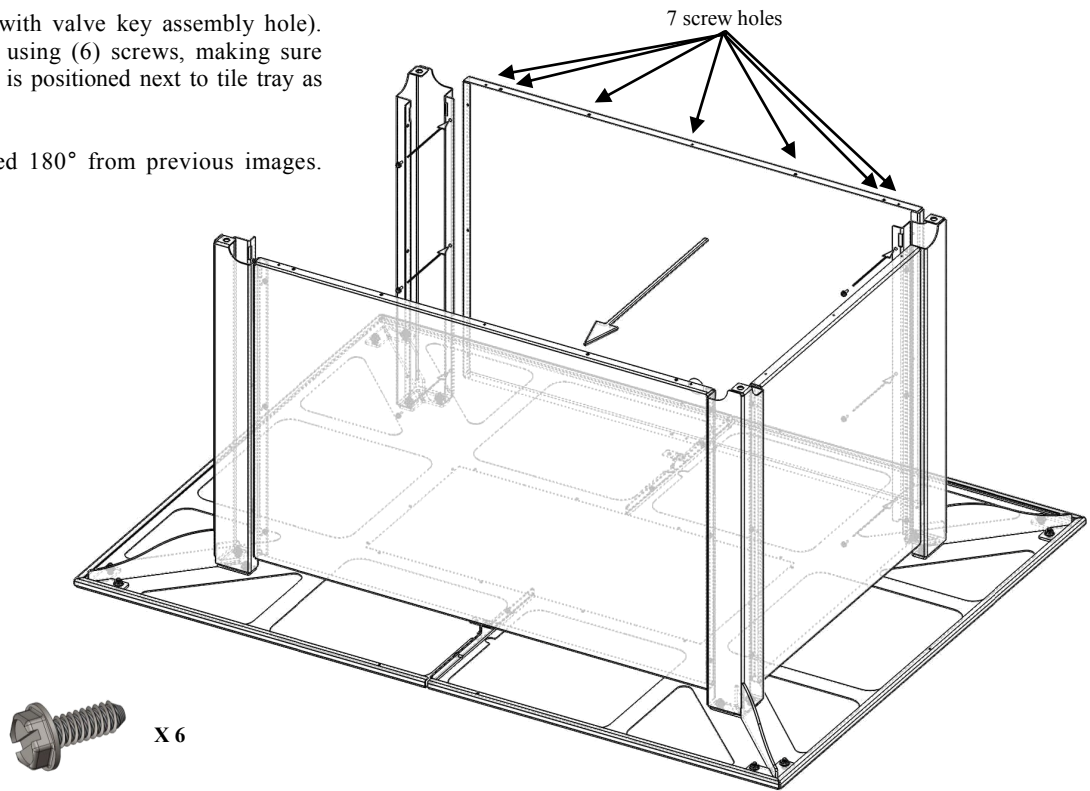


Figure 9b

ASSEMBLY

STEP 7.

Install cylinder pedestal as shown with retention bolt facing out. Secure with (4) screws.
Install leveling bolts into leg base mounting holes.

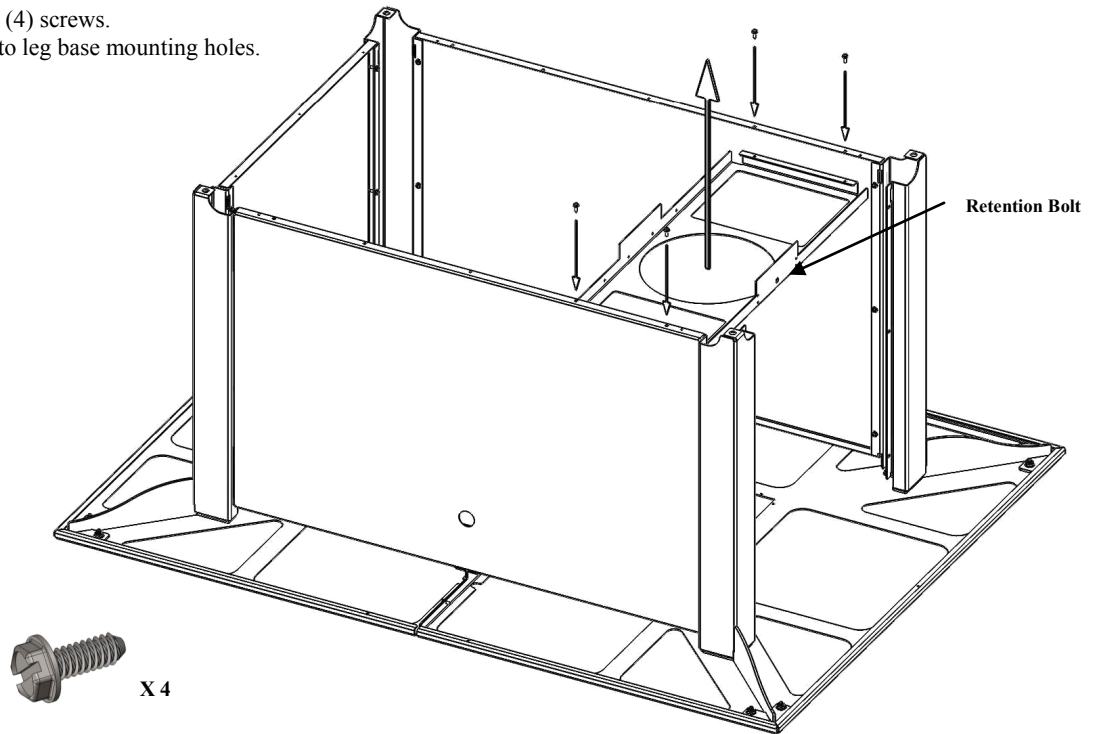


Figure 10a

STEP 8.

Enlist the help of another person to carefully pick the assembly up and turn it over to its upright position.

Using (4) screws, attach cross brace to upper leg sections as shown.

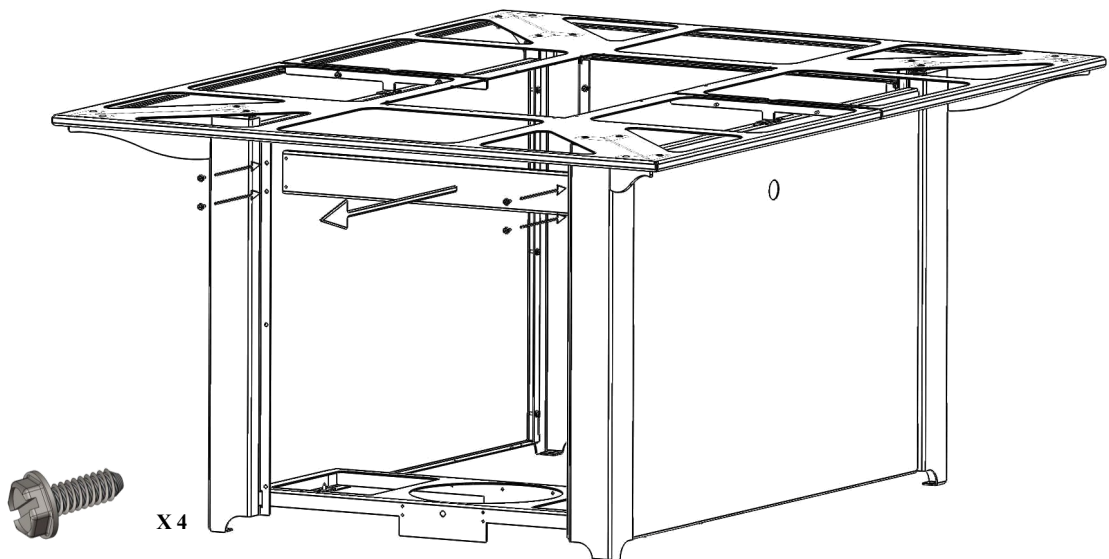


Figure 10b

ASSEMBLY

STEP 9.

Using (4) screws, secure tile tray to front and back panels.

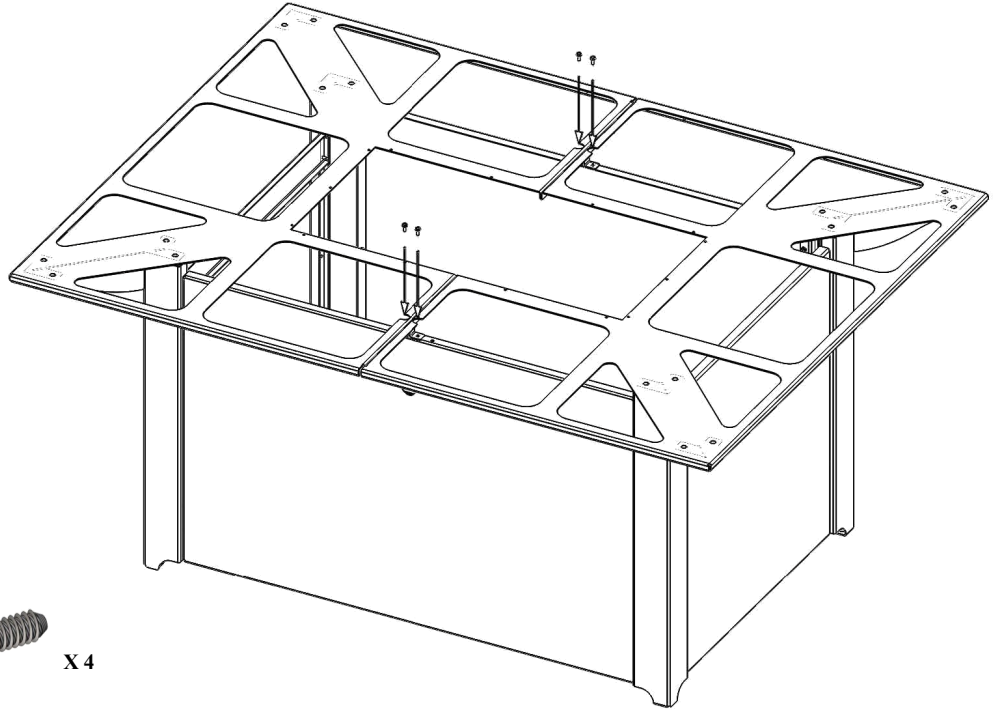


Figure 11a

STEP 10.

Install tile alignment brackets as shown, making sure flanges face away from center. Secure with screws.

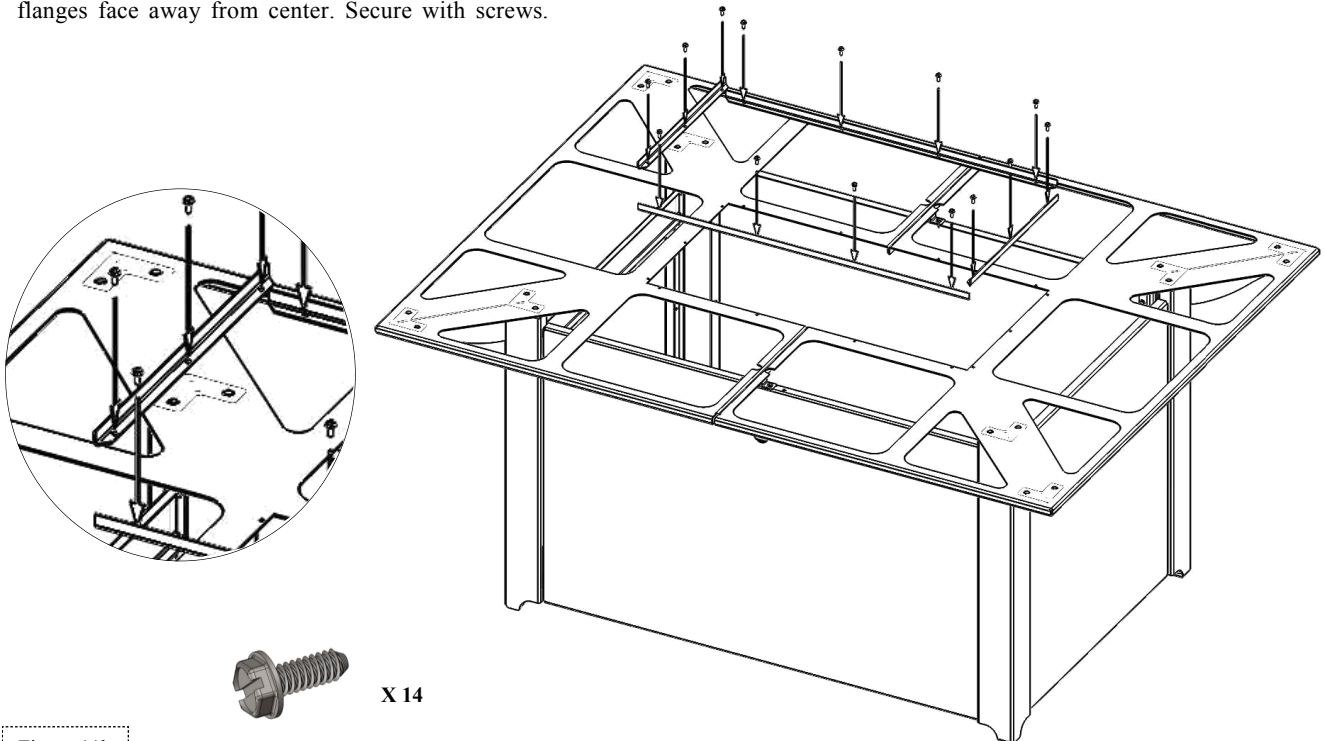


Figure 11b

ASSEMBLY

STEP 11.

NOTE

If installing Optional Color Changing LED Light Kit, do so now. Follow instructions on pages 21-22.

With valve train facing front of table (side with valve key assembly hole), install burner/valve train assembly, setting assembly over previously installed tile alignment brackets.

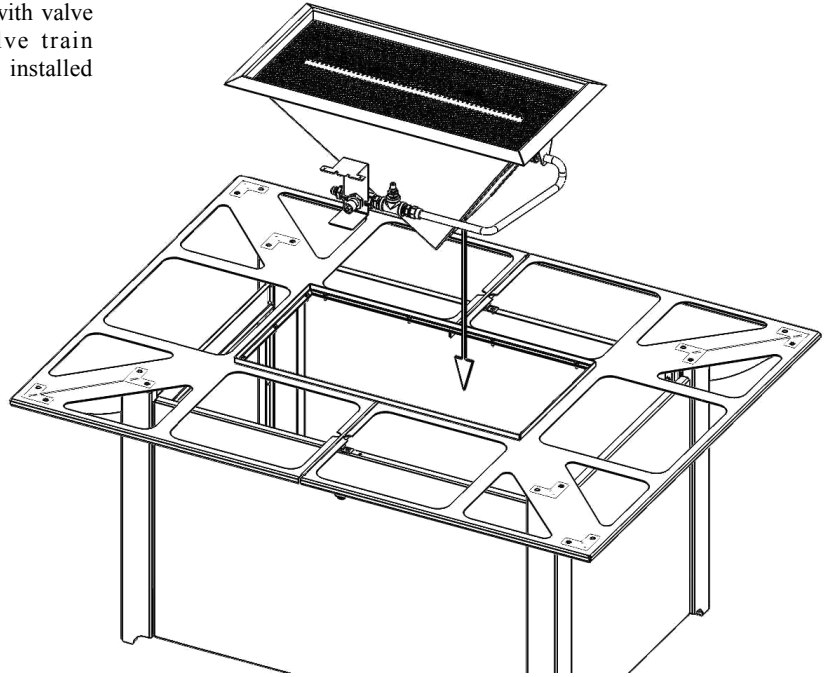


Figure 12a

STEP 12.

Secure valve bracket to tile tray with (2) screws.

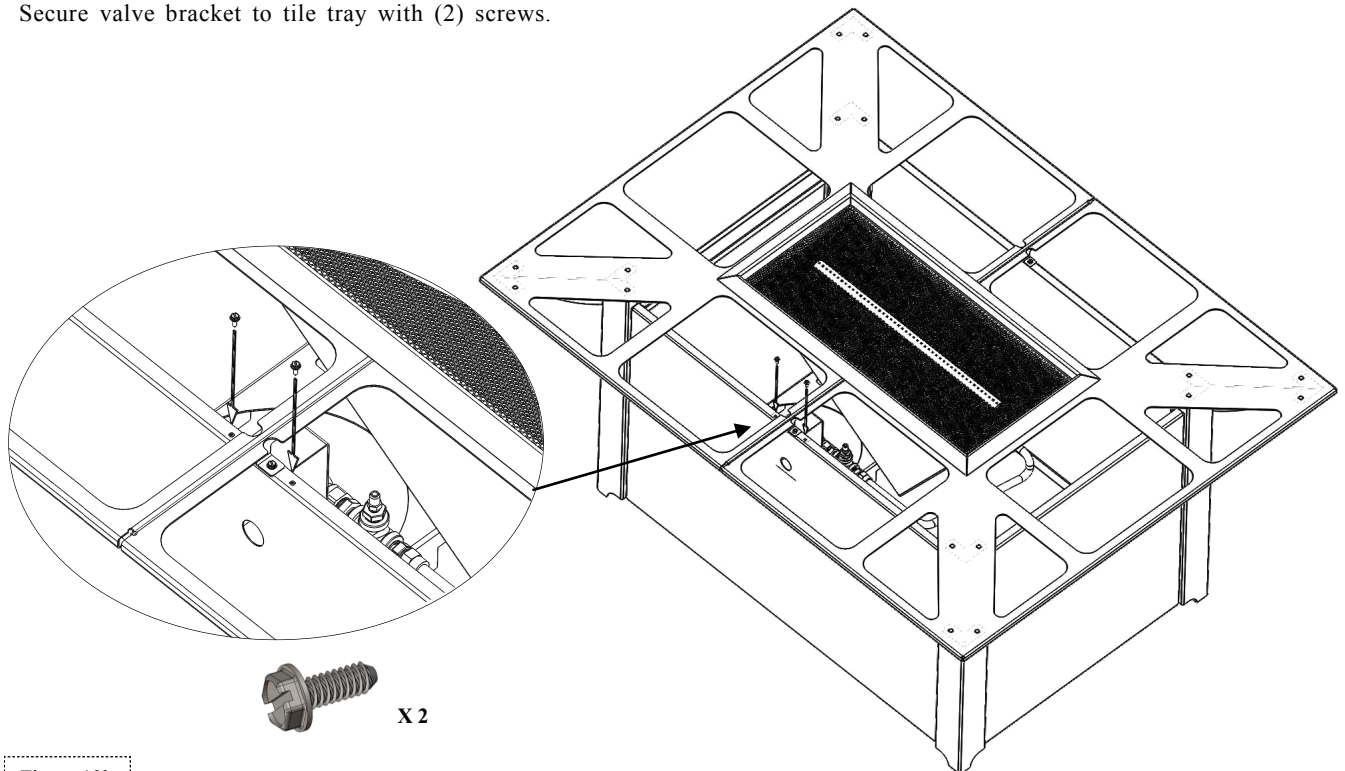
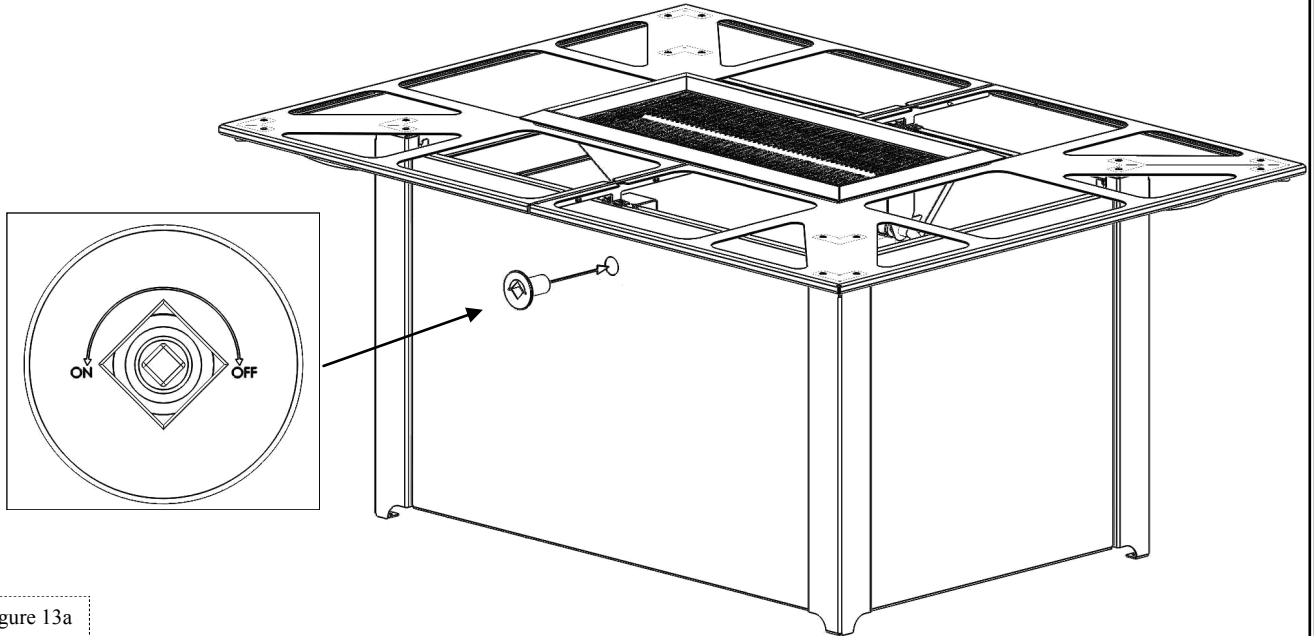


Figure 12b

ASSEMBLY

STEP 13.

Thread floor plate through valve key assembly hole and into valve. Tighten, making sure when completed that writing on floor plate is aligned as shown.



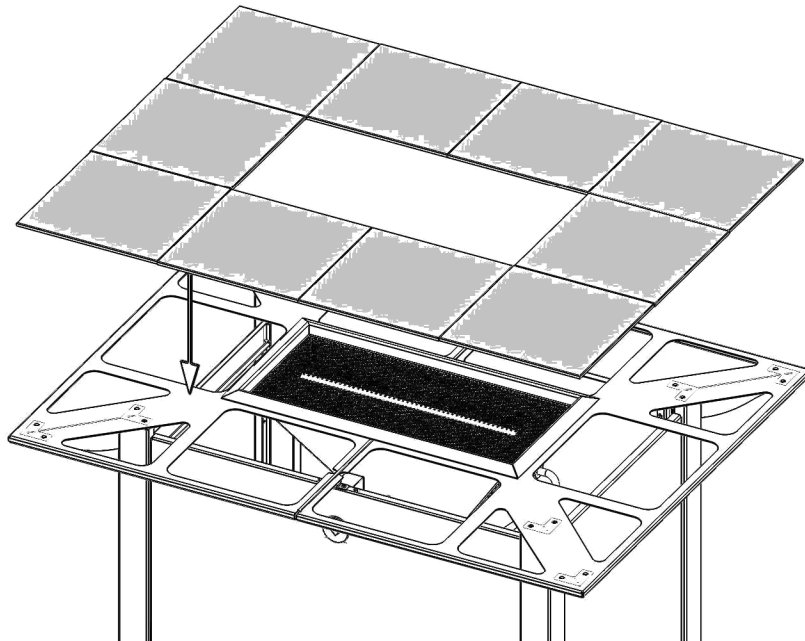
STEP 14.

Install tile kit. (Purchased separately).

NOTE

Porcelain tile is recommended for all outside applications.

Tile Trim Kit is designed to accommodate 1/4" (6mm) thick porcelain tile. 12" (305mm) x 12" (305mm) tile shown.



ASSEMBLY

STEP 15.

Evenly spread glass media across burner media tray.

WARNING

DO NOT OPERATE THIS APPLIANCE WITHOUT GLASS BURNER MEDIA IN PLACE.

Use ONLY #PF40-G4PC-GR Glass Media in this appliance.

DO NOT substitute materials or use more than specified.

Glass media must be NO MORE than one layer deep across entire burner/screen area to avoid possible delayed ignition and/or sooting issues.

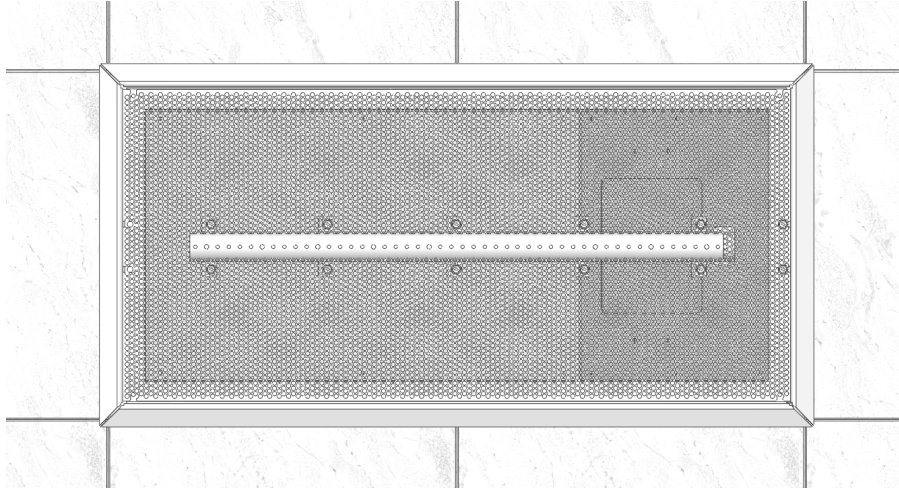


Figure 14a

STEP 16.

With screws facing downward, slide corner keys (4) into rectangular grooves on both ends of short trim sections. Position one short trim section around tile edge. Align long trim section ends with corner keys in short trim section and push mitered corners together. Install remaining short trim section, inserting corner keys into long trim sections. Align all mitered corners, tighten set screws.

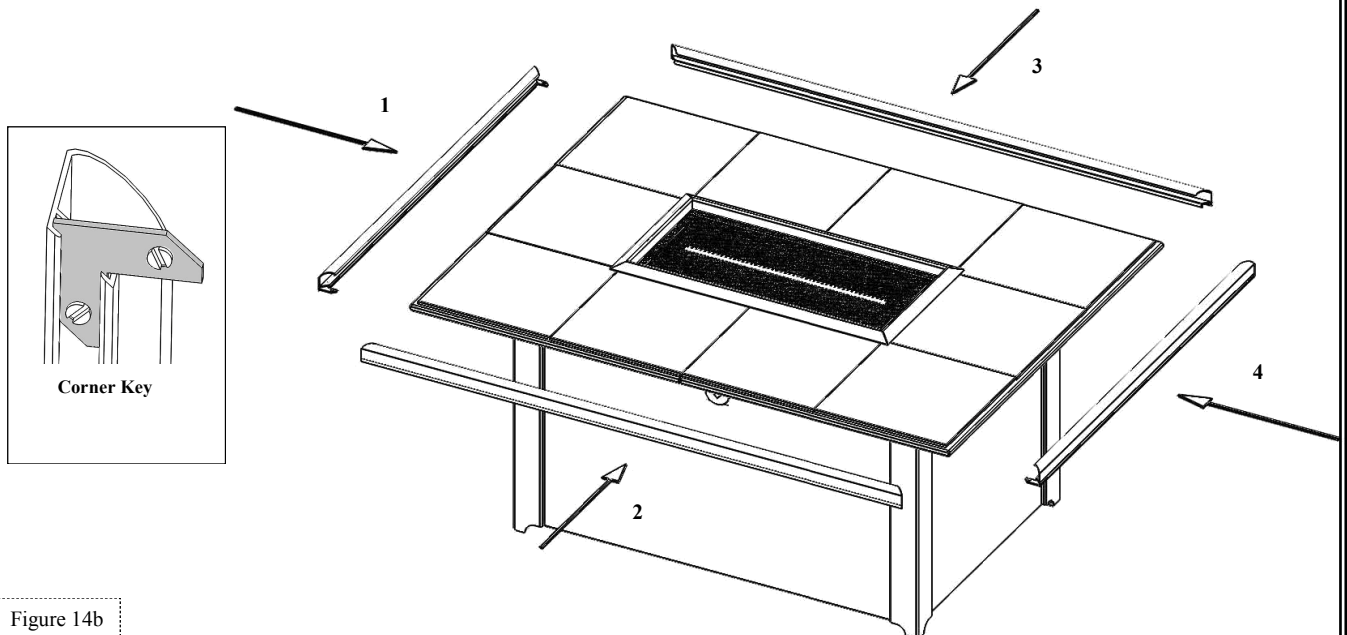


Figure 14b

PROPANE CYLINDER

WARNING

If these instructions are not followed exactly, a fire causing death or serious injury may occur.

PROPANE CYLINDER SPECIFICATIONS

This appliance is designed for use with a 20 lb. (9.1 kg) size propane cylinder only (not supplied).

Inspect the fuel supply connection for signs of leakage (including the hose) before each use of the appliance.

Use only LP regulator and gas hose connector included with appliance. If it evident there is excessive abrasion or wear, or if the hose is damaged, it must be replaced prior to the appliance being put into operation. Replacement regulators and hoses must be Hussong Mfg. approved. Contact your local dealer for details.

Propane supply cylinder must be constructed and marked in accordance with the U.S. Department of Transportation (DOT) *Specifications for LP-gas Cylinders*, or the *Standard for Cylinders, Spheres and Tubes for Transportation of Dangerous Goods and Commission, CAN/CSA B339*.

Propane cylinder must be provided with a listed overfilling device; and
Provided with a cylinder connection device compatible with the connection for the appliance.

The LP gas cylinder used must include a collar to protect the cylinder valve.

Cylinder must be compatible with the retention means as shown in illustration.

If the appliance is not in use, the gas must be turned off at the supply cylinder.

The cylinder must be disconnected when the appliance is not in use.

Cylinders must be stored outdoors in a well-ventilated area out of reach of children.

Disconnected cylinders must have threaded valve plugs tightly installed and must not be stored in a building, garage or any other enclosed area.

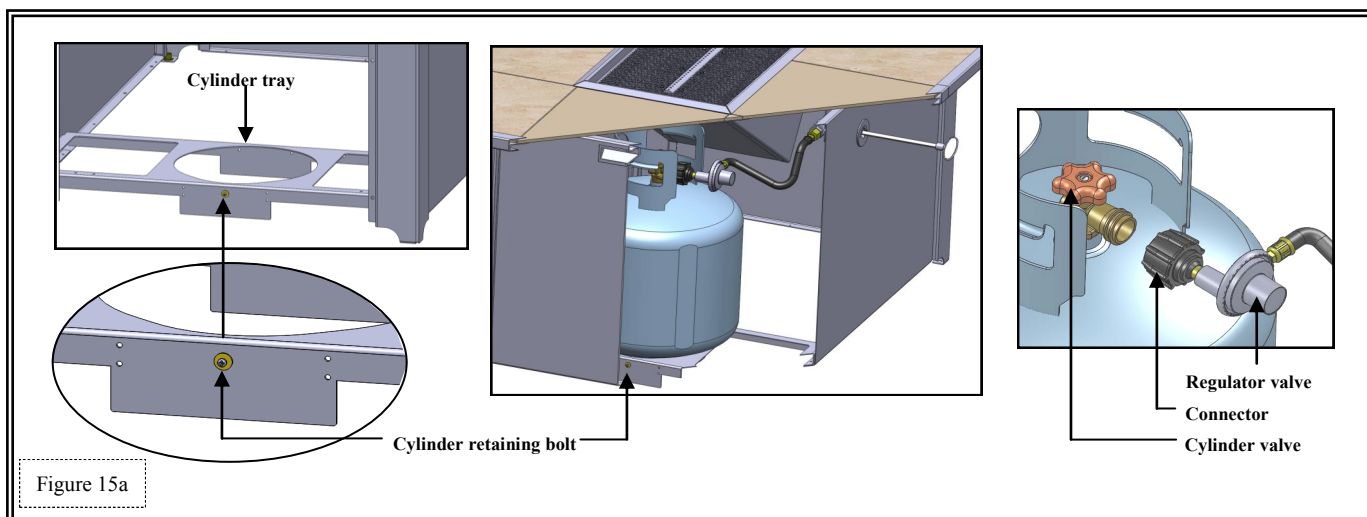
STEP 17. PROPANE CYLINDER INSTALL

WARNING

Before installation, ensure propane cylinder is turned OFF.

Follow all instructions and safety warnings supplied with cylinder.

1. Remove access panel from appliance, if previously installed. Page 16.
2. Loosen cylinder retaining bolt and install cylinder into tray. Tighten retaining bolt to secure cylinder.
3. Attach black hose (with regulator) to cylinder valve. Tighten.
4. Open cylinder valve (counter-clockwise) to full open position.
5. Using a soapy water solution, check for leaks at all connections before attempting to light the appliance. If soap bubbles, this would indicate a leak. (NEVER use an open flame for testing). If a leak is found, tighten connector until no leaks are detected.
6. Reinstall appliance access panel.



ASSEMBLY

STEP 18.

Install access panel by aligning hooks on panel with slots at bottom of left side leg sections. Lift up slightly to insert access panel upper hooks into slots at top of leg sections.

Remove by lifting up and out.

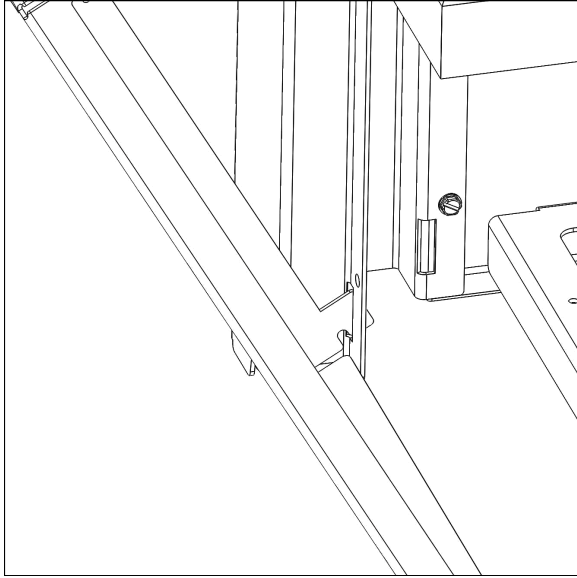
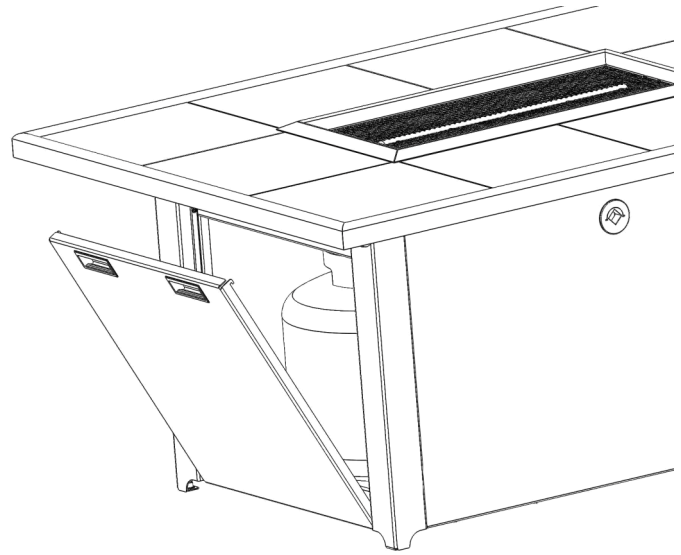


Figure 16a



FUEL GAS CONVERSION

This appliance is factory equipped for use with LP (propane) gas. Converting to Natural Gas requires Natural Gas Burner Orifice #41 (purchased separately). This appliance must be connected to a 7 inch WC (1.74 kPa) gas pressure regulator if using Natural Gas.

WARNING THE CONVERSION SHALL BE CARRIED OUT BY A LICENSCECD PLUMBER OR GAS FITTER, IN ACCORDANCE WITH THE REQUIREMENTS OF THE MANUFACTURER, PROVENCIAL OR TERRITORIAL AUTHORITIES HAVING JURISDICTION AND IN ACCORDANCE WITH THE REQUIREMENTS OF THE CAN/CGA-B149.1 OR CAN-CGA-B149.2 INSTALLATION CODES.

CAUTION THE GAS SUPPLY SHALL BE SHUT OFF PRIOR TO DISCONNECTING THE ELECTRICAL POWER, BEFORE PROCEEDING WITH THE CONVERSION.
WARNING SHUT OFF GAS SUPPLY AND ELECTRIC POWER TO APPLIANCE.
 SHUT OFF GAS SUPPLY BEFORE DISCONNECTING ELECTRIC POWER.

IMPORTANT For high altitude installations: Above 2000ft. (610m) US / 4500ft. (1372m) Canada, consult the local gas distributor or authority having jurisdiction for proper de-rating methods.

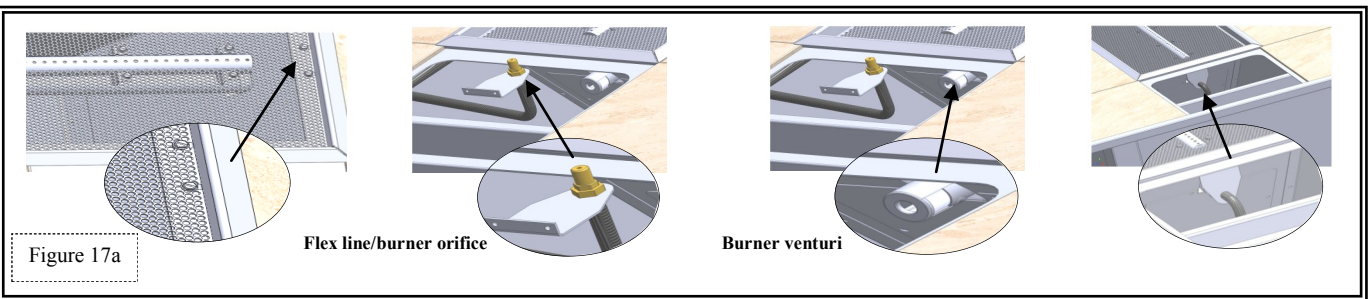
CODE AND SUPPLY REQUIREMENTS: When an appliance is for connection to a fixed piping system, the installation must conform with local codes, or in the absence of local codes with the *National Fuel Gas Code, ANSI Z223.1/NFPA 54; International Fuel Gas Code, Natural Gas and Propane Installation Code, CSA B149.1;* or *Propane Storage and Handling Code, B149.2,* as applicable.

The appliance, when installed, must be electrically grounded in accordance with local codes, or in the absence of local codes with the *National Electrical Code, ANS/NFPA 70;* or the *Canadian Electrical Code, CSA C22.1,* if applicable.

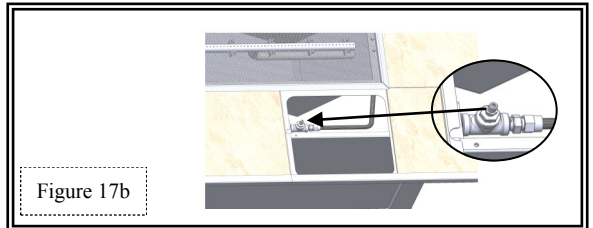
For appliances for use with a fixed fuel piping system and equipped with an appliance gas pressure regulator, the appliance and its individual shutoff valve must be disconnected from gas supply piping system during any pressure testing of that system at pressures in excess of ½ psi (3.5 kPa).

The appliance must be isolated from the gas supply piping system by closing its individual manual shut-off valve during any pressure testing of the gas line at test pressures equal to or less than ½ psi (3.5 kPa).

1. Remove center tile (if installed) from right side of tile tray.
2. Remove (2) screws from right side of burner media tray. Carefully pull flex line / burner orifice out of burner venturi. Remove existing orifice and replace with #41 Natural Gas Orifice.
3. Adjust burner tube venturi to correct setting by loosening screw, adjusting cap and retightening screw.
CORRECT SETTING: NAT.: 1/8" (3mm) open / LP: 5/8" (16mm) open
4. Reinsert flex line/ burner orifice into burner venturi and secure with screws previously removed.
5. Light appliance. Check for leaks at all connections with soapy water, whether field or factory made.



6. Pressure tap is located at front of appliance, under second tile from right end. Remove tile to access.
7. Using flathead screwdriver, turn pressure tap counter-clockwise to open. Check pressure readings. See below. Turn clockwise to tighten.
8. Reinstall tiles.



	LP GAS	NATURAL GAS
MAXIMUM INLET GAS PRESSURE	11" WC (2.74 kPa)	7" WC (1.74 kPa)
BURNER ORIFICE SIZE	#50	#41
BTU/HR	40,000 BTU/hr (11.72 kW/hr)	40,000 BTU/hr (11.72 kW/hr)

LIGHTING AND SHUTDOWN

FOR YOUR SAFETY - READ BEFORE LIGHTING

WARNING

IF YOU DO **NOT** FOLLOW THESE INSTRUCTIONS EXACTLY, A FIRE OR EXPLOSION MAY RESULT, CAUSING PROPERTY DAMAGE, PERSONAL INJURY OR LOSS OF LIFE.

- A. This appliance is lit by a match or hand fire starter.
BEFORE LIGHTING, smell all around the appliance area for gas. Be sure to smell next to the floor because some gas is heavier than air and will settle on the floor.

WHAT TO DO IF YOU SMELL GAS:

- * Shut off gas to the appliance.
 - * Extinguish any open flame.
 - * If odor continues, keep away from the appliance and immediately call your gas supplier or fire department.
- B. Use only your hand to turn the universal key. Never use tools. If the key will not turn by hand, do not try to repair it, call a qualified service technician. Forced or attempted repair may result in a fire or explosion, and loss of warranty.
- C. Do not use this appliance if any part has been under water. Immediately call a qualified service technician to inspect the appliance and to replace any part of the control system and any gas control which has been under water.

LIGHTING INSTRUCTIONS

STOP - READ SAFETY INFORMATION ABOVE.

1. Insert universal key into floor plate located at the front of appliance. Turn key clockwise to turn gas to OFF.
2. Wait 5 minutes for gas to clear out.
3. Turn ON the main gas supply. **If you smell gas, STOP!** Turn off gas and recheck gas connections for leaks. Do not continue until gas leaks are corrected. If you do not smell gas, continue with next step.
4. Place a burning match to burner media surface covering the burner tube. **DO NOT HOLD THE MATCH BY HAND.**
5. After the match is burning and in position, turn universal key counter-clockwise to ON. Appliance should light within 5 seconds.

SHUTDOWN INSTRUCTIONS

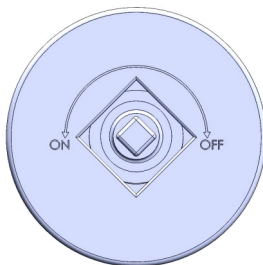
SHUTTING OFF APPLIANCE

Turn universal key clockwise to the OFF position.

CAUTION

DO NOT turn the universal key to the ON position FOR 5 MINUTES after shutting the appliance off.
DO NOT leave universal key in floor plate when appliance is not in use.

FLOOR PLATE



UNIVERSAL KEY



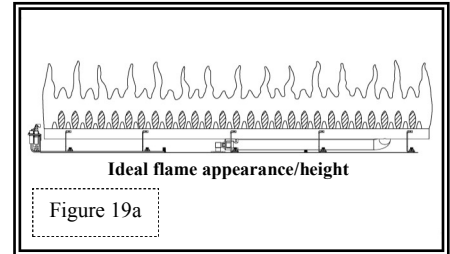
Figure 18a

MAINTENANCE

FLAME APPEARANCE:

Flame appearance is affected by several factors including altitude and fuel quality. Although the venturi setting has been factory set, adjustments may be necessary for optimal performance and visual aesthetics.

When appliance is first lit, the flames will be blue. Flames will gradually turn yellowish-orange during first 15 minutes of operation. If flames remain blue, or become dark orange with evidence of sooting (black tips), the burner tube venturi may need adjustment. Referring to illustration at right, periodically make a visual check of burner flames.



WARNING

Do not perform maintenance tasks until the appliance has been turned off and has ample time to cool.

CLEANING:

- Clean all leaves and debris that may have gathered on and/or around the appliance before each operation.
- Turn off gas and disconnect from electrical supply before cleaning.
- Keep burner and control compartment clean by brushing and vacuuming at least once a year. More frequent cleaning may be required as necessary.
- Clean appliance with damp cloth. Do not use abrasive cleaners.

INSPECTING:

- The appliance should be inspected before use and at least annually by a qualified service person. It is imperative the control compartment, burners and circulating air passageways of the appliance are kept clean.
- Annually inspect burner tube for cracks, insect nests, excessive corrosion or other damage. Burner must be replaced prior to the appliance being put into operation if it is evident that the burner is damaged. Replacement part #PF40-035 Burner Tube, as supplied by Hussong Mfg. must be used. **DO NOT SUBSTITUTE MATERIALS.**
- The hose assembly (see illustration on page 23 (R)) must be replaced prior to the appliance being put into operation if there is evidence of excessive abrasion or wear, or if the hose is damaged. Replacement hose assembly #600-206 as supplied by Hussong Mfg. must be used. Hose assembly located behind access panel. Page 23 (I) . Lift handle up and out to remove access panel.
- Do not use this appliance if any part has been under water. Immediately call a qualified service technician to inspect the appliance and to replace any part of the control system and any gas control which has been under water.

OPTIONAL GLASS WIND GUARD

Kit includes: (4) Glass Panes (8) Corner Brackets (16) Corner Bracket Screws (4) Mounting Legs (4) Attachment Screws

NOTE Assemble on a protective surface to prevent damage and scratches.

1. TOP: Position (4) corner brackets on work surface. Insert corners of glass panes into channels. Secure with (8) corner bracket screws.

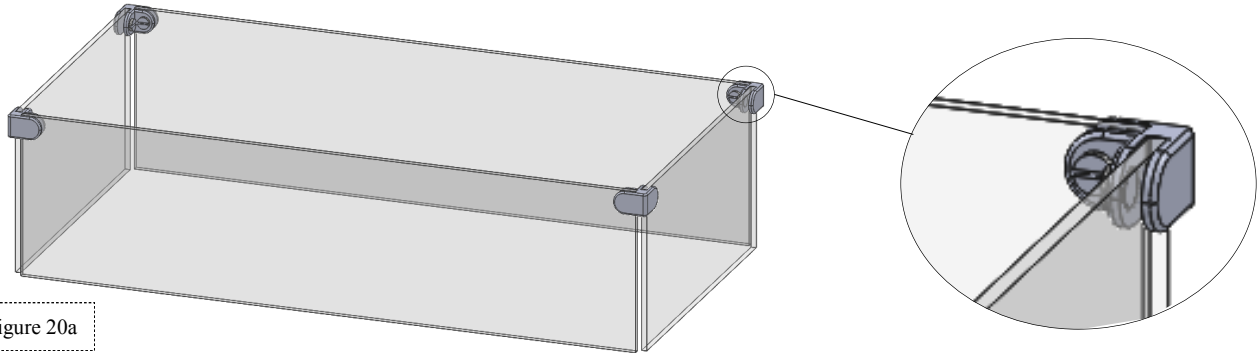


Figure 20a

2. BOTTOM: Turn assembly upside down on work surface. Insert mounting legs into (4) remaining corner brackets. Following same procedure as outlined in step 1, attach mounting legs, making sure attachment holes on mounting legs face to the inside of assembly when completed.

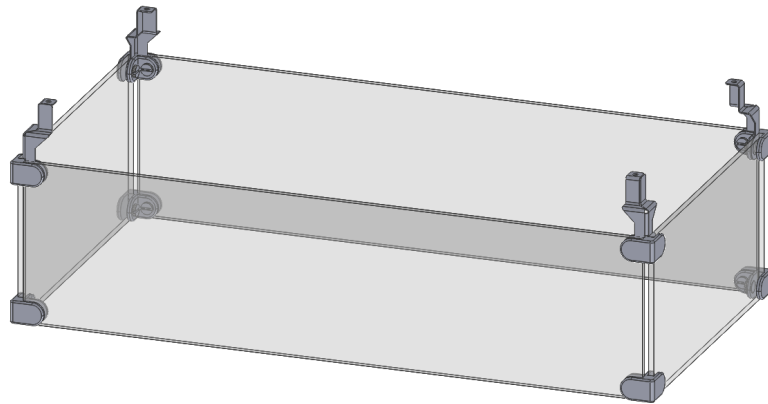
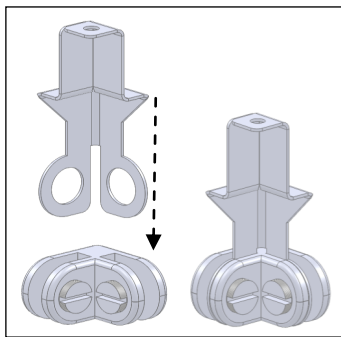


Figure 20b

3. Turn assembly right side up. Locate mounting holes at corners of burner tray, align with attachment holes in mounting legs. Secure with (4) attachment screws.

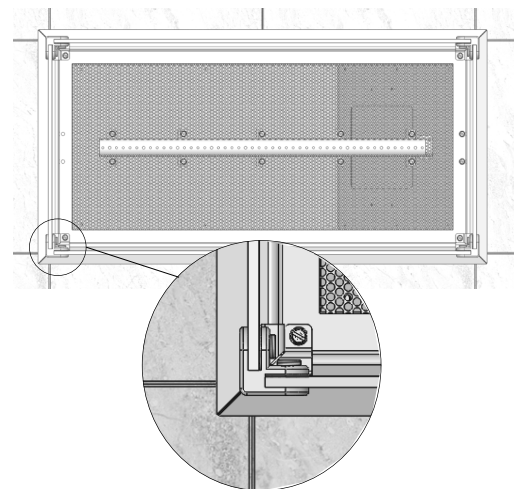
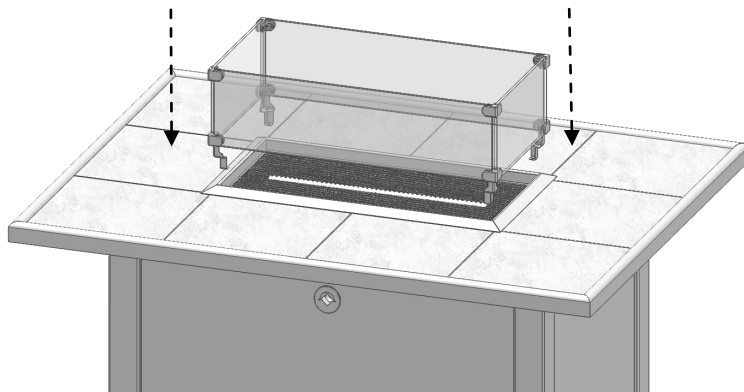


Figure 20c

OPTIONAL COLOR CHANGING LED LIGHT KIT

IMPORTANT

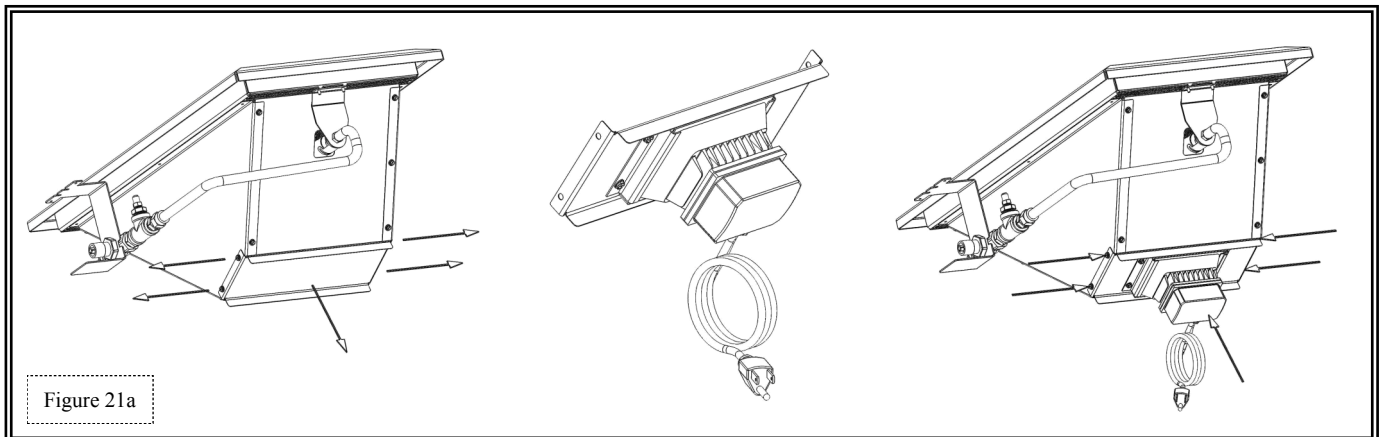
Electrical power source must be in accordance with all applicable local codes and ordinances and with the *National Electrical Code, ANSI/NFPA 70; or the Canadian Electrical Code, CSA C22.1.*

NOTE

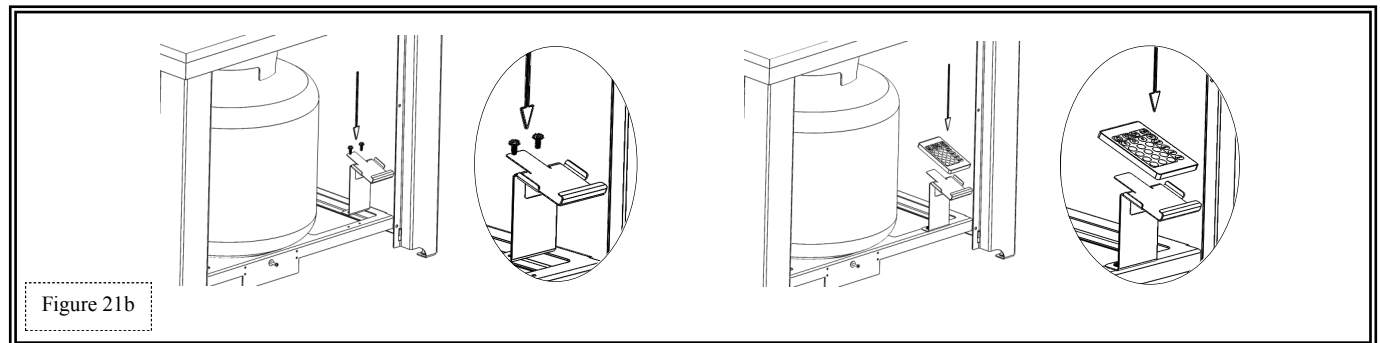
Total Electrical Requirements: 120Vac, 60Hz, less than 1 amps.
For optional light kit (Part # P40-LKT)

Kit includes: (1) Color Changing LED Light Assembly (1) Remote Control (1) Remote Control Mounting Bracket
(2) screws

1. Lay burner tray / valve train assembly on work surface, tipping to one side to allow removal of base plate.. Remove plate, saving screws.
2. Install light kit assembly to bottom of burner tray with screws previously removed as shown, making sure power cord is positioned as shown when completed.



3. Install remote control mounting bracket onto propane cylinder platform using (2) screws included with kit.



4. Install burner/media tray onto . Connect to propane cylinder as outlined in this manual following all instructions and safety information supplied with propane tank. **Check all connections for leaks with soapy water. If a leak is found, tighten the connector until no leaks are detected.**
5. Install burner glass media as outlined in this manual.
6. Connect light kit to electrical supply. **Electrical supply must be installed by a licensed electrician.**
7. See following page for remote control operating instructions.

OPTIONAL COLOR CHANGING LED LIGHT KIT

REMOTE CONTROL OPERATION

Brightness Level

Increase or decrease static color brightness.

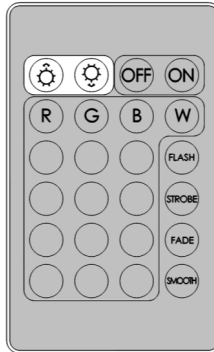


Figure 22a

ON / OFF

Turns light kit on or off.

Note: Light will turn on to previous setting.

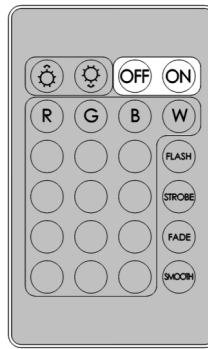


Figure 22b

Static Colors

Chosen color remains constant.

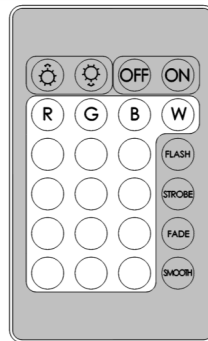


Figure 22c

Dynamic Modes

FLASH: Fast multi-color change.

STROBE: Slow multi-color change.

FADE: Fast multi-color transition.

SMOOTH: Slow multi-color transition.

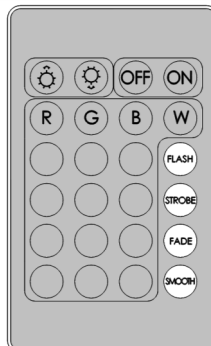


Figure 22d

REPLACEMENT PARTS LIST

MAIN ASSEMBLY

Code	Description	Part Number
A	Complete Burner / Valve Train Assembly	PF40-401
---	Burner Tray	PF40-135
----	Burner Tube	PF40-035
----	LP Gas Burner Orifice #50	700-250
----	NAT. Gas Burner Orifice #41	700-241
B	Tile Kit (purchased separately)	-----
C	Tile Alignment Brackets	PF40-TAB
D	Tile Tray Trim Kit	PF40-TTK
E	Tile Tray	PF40-TRAY
F	Tile Tray Brackets	PF40-TTB
L	Complete Valve Key Assembly	PF40-VKA
M	LP Cylinder Pedestal	700-LPCP
N	Glass Media (not shown)	PF40-GM-GL
O	Leveling Bolts (not shown)	PF40-LVB

23" BASE KIT

Code	Description	Part Number
----	Complete 23" Base Kit	P40-23B
G	Legs	4023-LEG
H	Back Side Panel	4023-BSP
I	Left Side Panel /Cylinder Access Door	4023-LSP
J	Right Side Panel	4023-RSP
K	Front Side Panel	4023-FSP

30" BASE KIT

Code	Description	Part Number
----	Complete 30" Base Kit	P40-30B
G	Legs	4030-LEG
H	Back Side Panel	4030-BSP
I	Left Side Panel /Cylinder Access Door	4030-LSP
J	Right Side Panel	4030-RSP
K	Front Side Panel	4030-FSP

VALVE TRAIN ASSEMBLY

Code	Description	Part Number
P	Universal Key	700-KEY
Q	Floor Plate	700-FPL
R	LP Regulator Hose Assembly	600-206
S*	1/2" NPT x 3/8" Flare	*
T	1/4 Turn Straight Ball Valve	700-14BV
U*	1/2" NPT x 3/8" NPT	*
V*	3/8" Tee (black pipe)	*
W*	3/8" NPT x 3/8" Flare	*
X	18" Flex Line	700-225F
Y*	3/8" x 1/8" Bushing	*
Z*	1/8" Pressure Tap Fitting	*

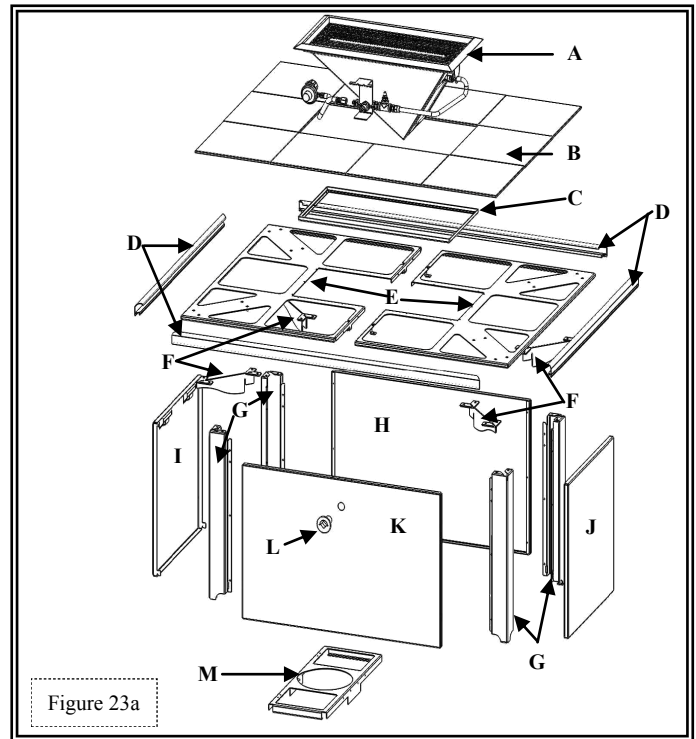


Figure 23a

42" BASE KIT

Code	Description	Part Number
----	Complete 42" Base Kit	P40-42B
G	Legs	4042-LEG
H	Back Side Panel	4042-BSP
I	Left Side Panel /Cylinder Access Door	4042-LSP
J	Right Side Panel	4042-RSP
K	Front Side Panel	4042-FSP

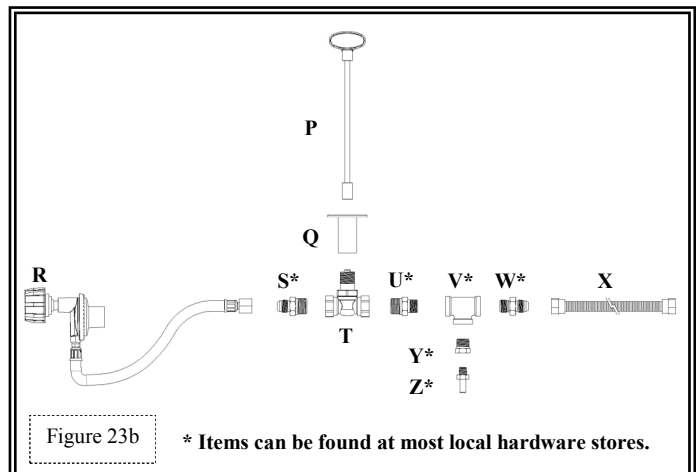


Figure 23b

* Items can be found at most local hardware stores.

WARRANTY



PATIO
FIREPLACE

Limited 2 Year Warranty

Hussong Manufacturing Company, Inc. ("Hussong Mfg.") warrants this appliance **from the date of purchase** to the original purchaser, that it is free of defects in materials and workmanship at the time of manufacture. Warranty registration is not necessary. Please retain your proof of purchase invoice with model and serial number to file with the warranty claim.

If a defect is noted within the warranty period, the customer should contact their authorized dealer for service.

30 Days: Parts & Labor*

- Paint
- Light kit and remote

Year 1: Parts & Labor*

- LP Regulator Hose Assembly
- Base Kit
- Key Valve Assembly
- Tile Metal Frame (tile is excluded from the warranty)

****Hussong Mfg. will issue a subsidized labor reimbursement to the authorized selling dealer only.
Hussong Mfg. will not be liable for charges occurred as a result of any service performed by a non-authorized service provider.***

Years 2: Parts Only

- Stainless Steel Burner Tube

EXCLUSIONS & LIMITATIONS

1. This appliance must be installed by a qualified installer. Installation must be completed in accordance with the owner's manual included with this appliance, and all local and national building codes, gas codes, or any other governing agencies that are applicable.
2. The warranty is nontransferable and is made to the original purchaser only.
3. The warranty excludes standard wear and tear of this product which is considered normal from usage over time. Damage resulting from improper use according to the manual will not be covered.
4. The maximum amount recoverable under this warranty is limited to the purchase price of the appliance.
5. Warranty is void if the appliance's serial number and/or testing label is removed or if the appliance is altered or tampered with in any way.
6. Warranty is void if the appliance is subject to submersion in water.
7. This warranty does not cover damage or malfunction due to mother nature (rain, wind, ice, snow, etc.).
8. Accessories or products used in conjunction with the installation of this appliance not provided by Hussong Mfg. are not covered under this warranty.
9. Stainless steel surfaces or finishes are not covered against environmental damages, corrosion, misuse, cleaning or discoloration.
10. Hussong Mfg. is free of liability for any damages caused by this appliance, as well as inconvenience expenses and materials. Incidental or consequential damages are not covered by this warranty. In some states, the exclusion of incidental or consequential damage may not apply.
11. This warranty is the only warranty supplied by Hussong Mfg. Any warranties extended to the purchaser by the dealer/distributor, whether expressed or implied, are hereby disclaimed and the purchaser's recourse is expressly limited to the warranties set forth herein.
12. Any part repaired or replaced during the limited warranty period will be warranted under the terms of the limited warranty for a period not to exceed the remaining term of the original limited warranty.
13. Replacement parts purchased by the consumer after the original warranty coverage has expired will carry a 90 day warranty from the proof of purchase. If the item is determined to be defective it will be repaired or replaced at the manufacturer's discretion. No labor reimbursement will be included.