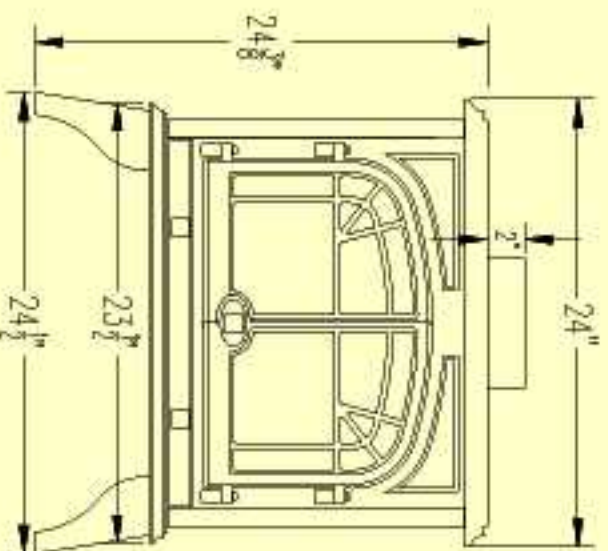
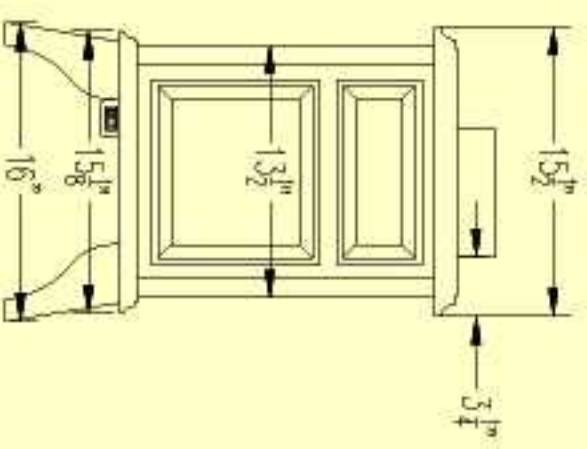


The Duluth Unit

front view



side view



The Duluth Unit

top view

